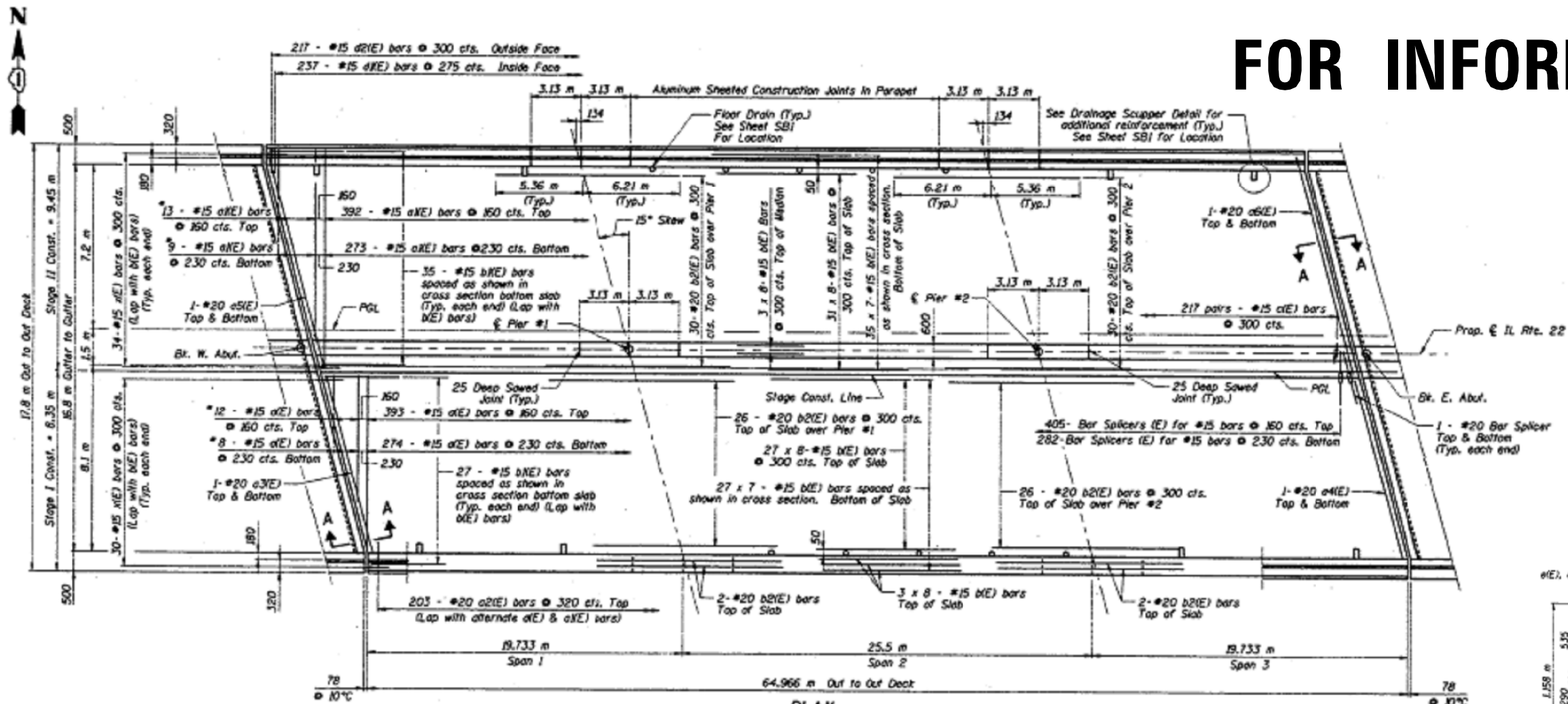
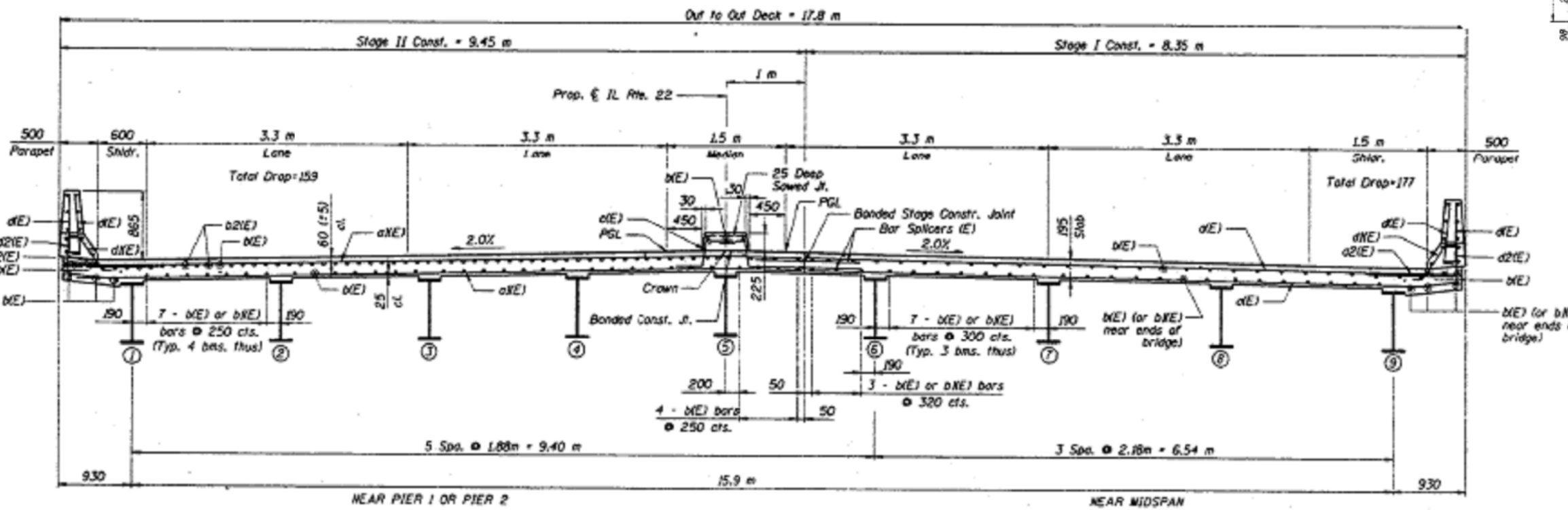


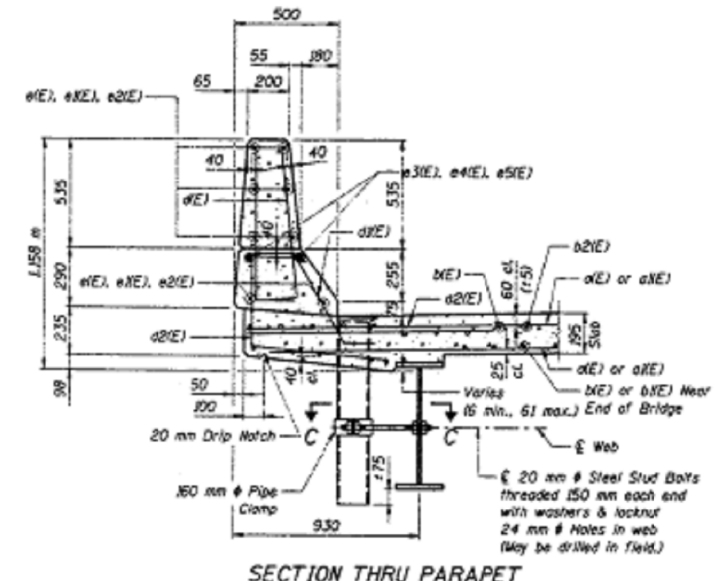
FOR INFORMATION ONLY



PLAN



CROSS SECTION (Looking East)



SECTION THRU PARAPET

FILE NAME =	USER NAME = abebawa	DESIGNED -	REVISED -	STATE OF ILLINOIS DEPARTMENT OF TRANSPORTATION	LOCATION #26 :SN 049-0200 IL 22 OVER DES PLAINS RIVER	SECTION	COUNTY	TOTAL SHEETS	SHEET NO.
et:\p\work\p\dot\abebawa\d0402136\013514-Design.dgn	DRAWN -	REVISED -	2014-0401			LAKE	42	37	
PLOT SCALE = 100.0000 / 1 in.	CHECKED -	REVISED -	CONTRACT NO. 60Y34						
Default	DATE -	REVISED -	ILLINOIS FED. AID PROJECT						