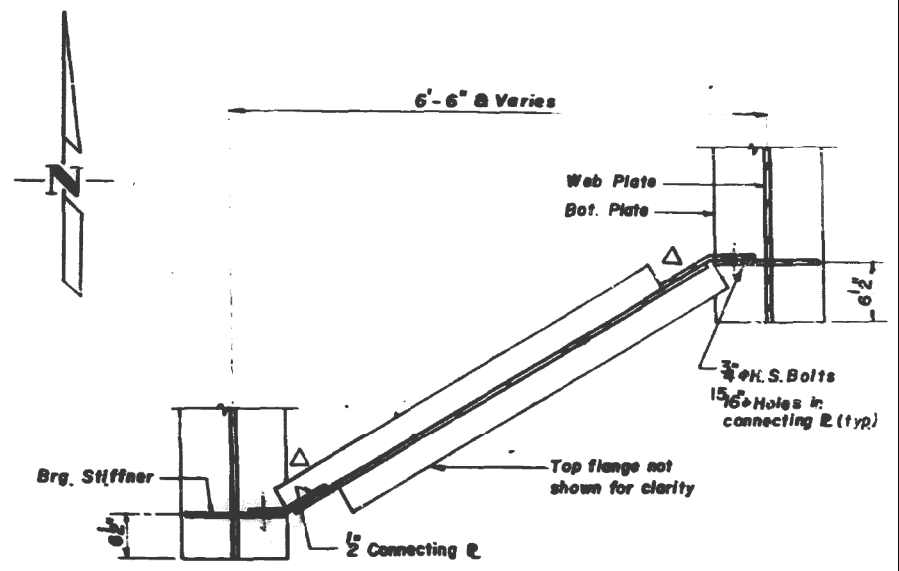
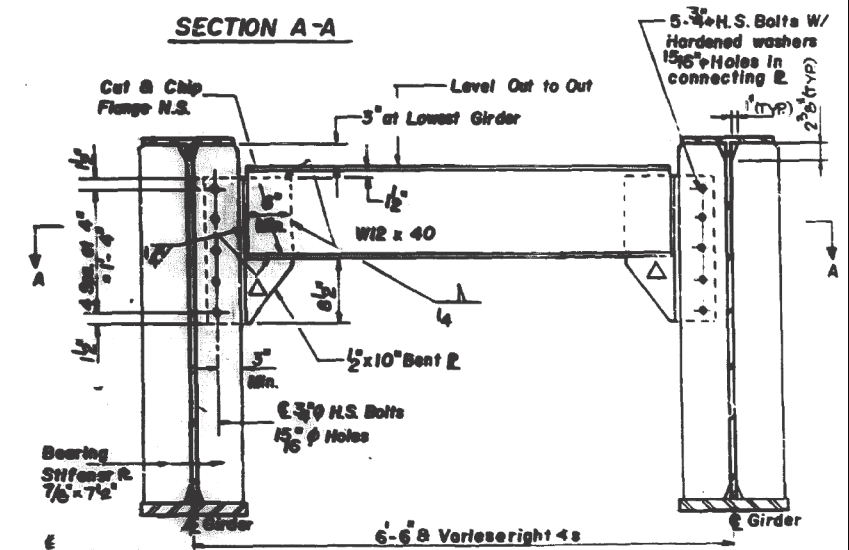


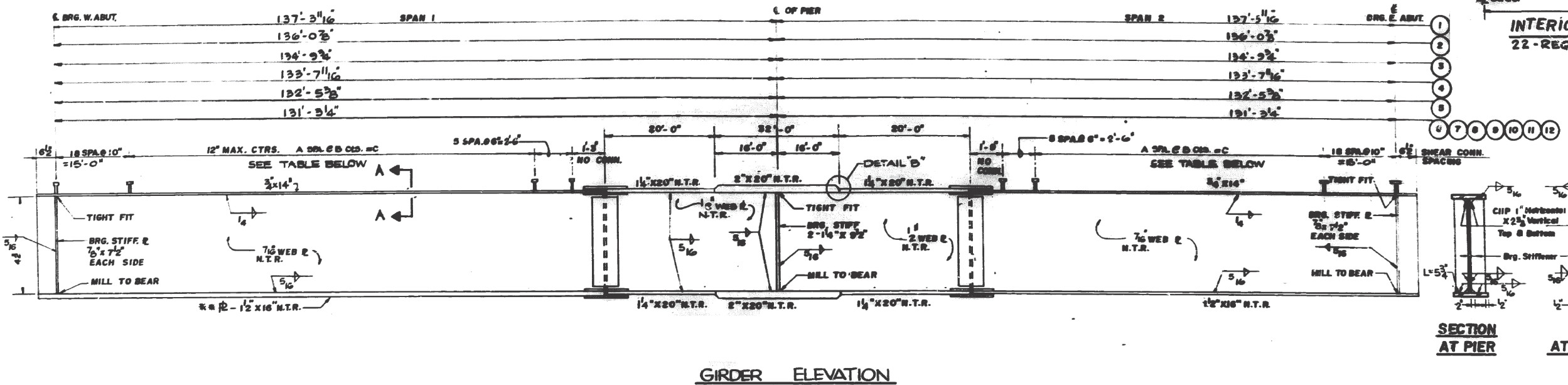
FRAMING PLAN



SECTION A-A



INTERIOR DIAPHRAGM AT END D2
22-REQD



GIRDER ELEVATION

SECTION AT PIER

SECTION AT ABUTMENT

FILE NAME :	USER NAME : osbornnp	DESIGNED -	REVISED -	STATE OF ILLINOIS DEPARTMENT OF TRANSPORTATION	FRAMING PLANS SN 016-3215			F.A.P. RTE.	SECTION	COUNTY	TOTAL SHEETS	SHEET NO.
Default	1915-shit-plandgn	DRAWN -	REVISED -					379	531-5HB-BP	COOK	8	5
	PLOT SCALE = 100.0000' / 1in.	CHECKED -	REVISED -					CONTRACT# 60Y75				
	PLOT DATE = 8/21/2014	DATE -	REVISED -					ILLINOIS FED. AID PROJECT				