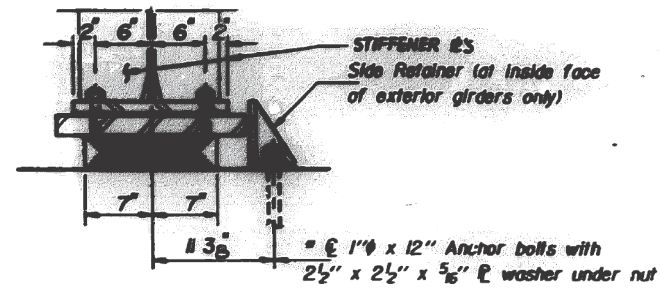
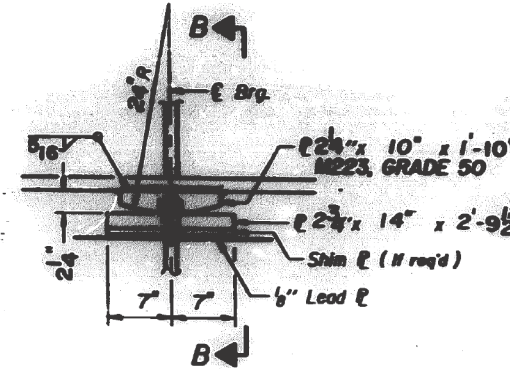


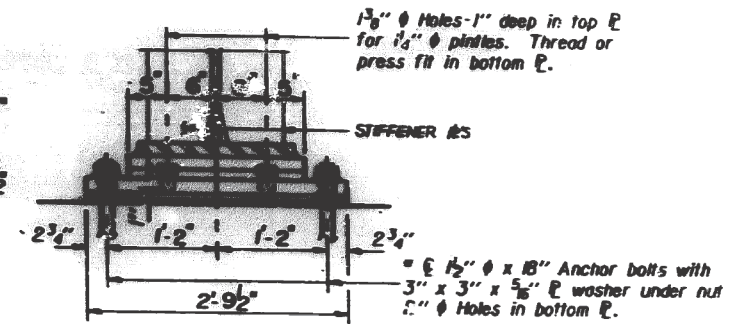
ELEVATION AT ABUT.



SECTION A-A

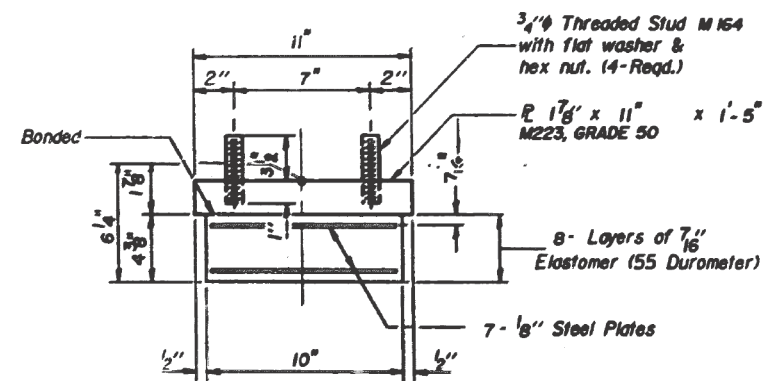


ELEVATION AT PIER



SECTION B-B

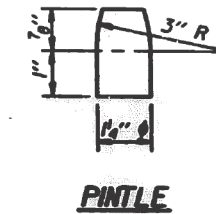
TYPE I ELASTOMERIC EXP. BRG.



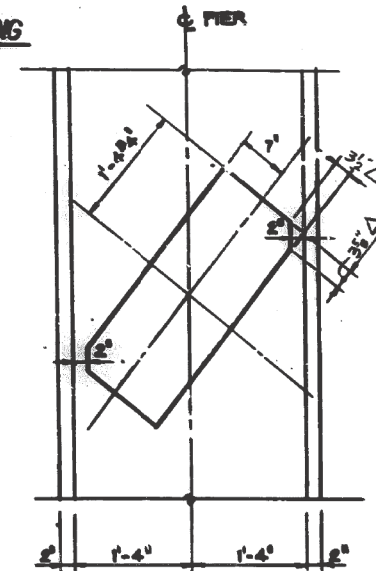
BEARING ASSEMBLY

Note: Shim plates shall not be placed under Bearing Assembly.

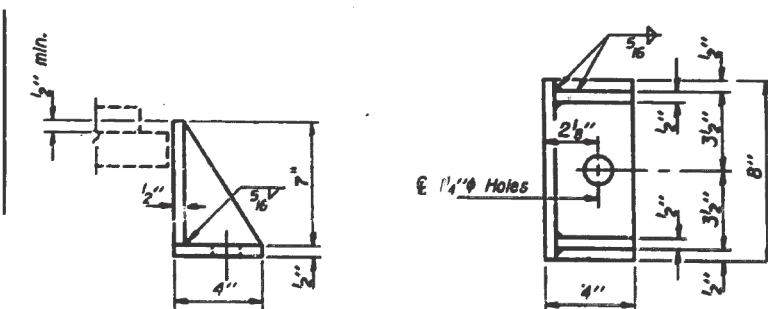
FIXED BEARING
12 - REQD.



PINTLE



BEARING PLAN AT PIER



SIDE RETAINER

Equivalent rolled angle with stiffeners will be allowed in lieu of welded plates.

FILE NAME :	USER NAME : osbornep	DESIGNED -	REVISED -	STATE OF ILLINOIS DEPARTMENT OF TRANSPORTATION	BRIDGE PLANS 016-3215			F.A.P. RTE.	SECTION	COUNTY	TOTAL SHEETS	SHEET NO.
Default	ci:\pwork\p10\osbornep\d0408284\01915-shit-plandgn	DRAWN -	REVISED -					379	531-5HB-BP	COOK	8	6
	PLOT SCALE = 100.0000' / 1in.	CHECKED -	REVISED -					CONTRACT: 60Y75				
	PLOT DATE = 8/21/2014	DATE -	REVISED -					SCALE:	SHEET	OF	SHEETS	STA.