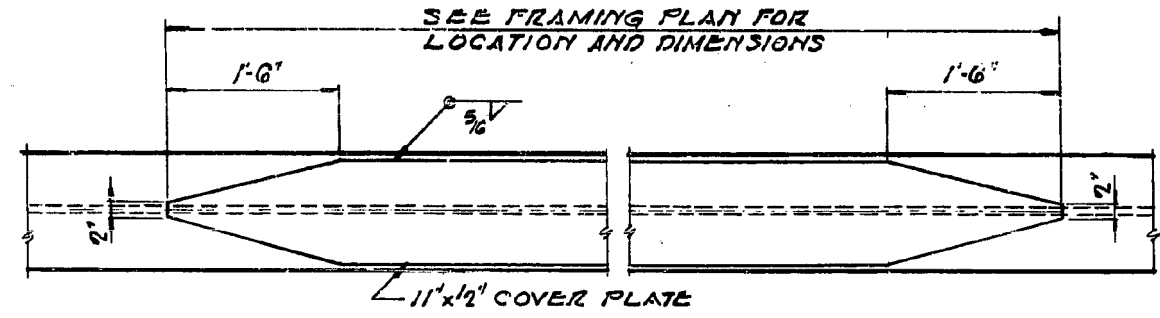
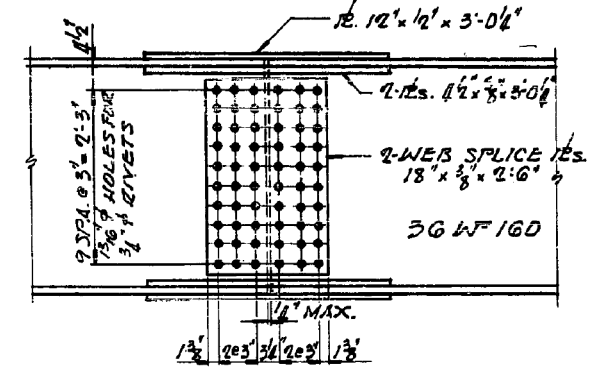
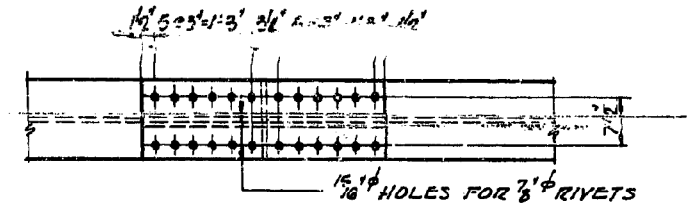


NOTE:
 ALL END DIAPHRAGMS TO BE D1 (12 WF 40).
 ALL INTERM. DIAPHRAGMS TO BE D2 & D3 (16 WF 36).

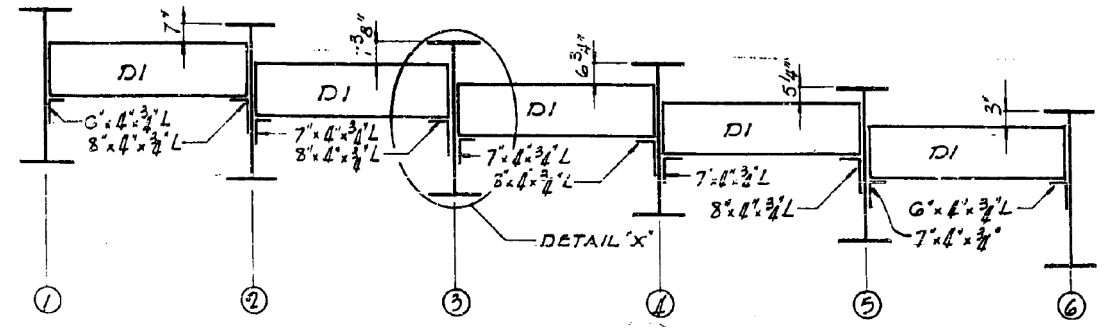
FRAMING PLAN
 SN 022-0090



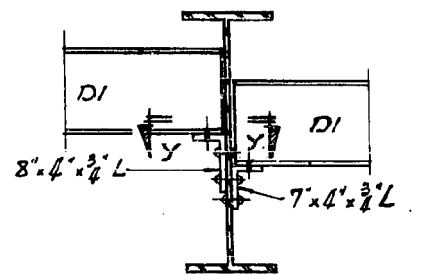
COVER PLATE DETAIL
 SN 022-0090



TYPICAL SPLICE DETAIL
 SN 022-0090



ELEVATION OF DIAPHRAGMS - EAST ABUTMENT
 SN 022-0090



DETAIL "X" - TYPICAL CONNECTION
 SN 022-0090

FILE NAME =	USER NAME = rozeqem	DESIGNED -	REVISED -	STATE OF ILLINOIS DEPARTMENT OF TRANSPORTATION	SN 022-0090 FRAMING PLAN & STRUCTURAL STEEL DETAILS	F.A. RTE.	SECTION	COUNTY	TOTAL SHEETS	SHEET NO.
ci:\pwork\p\d01\rozeqem\d0409160\DI0215-sh1-plan.dgn	DRAWN -	REVISED -	•			2014-0568P	DUPAGE	11	5	
Default	PLOT SCALE = 100.0000' / 1in.	CHECKED -	REVISED -			•1) FAI 290	2) FAP 344	CONTRACT NO. 60Y76		
	PLOT DATE = 8/11/2014	DATE -	REVISED -			SCALE: NTS		SHEET 2 OF 3 SHEETS	STA. TO STA.	ILLINOIS FED. AID PROJECT