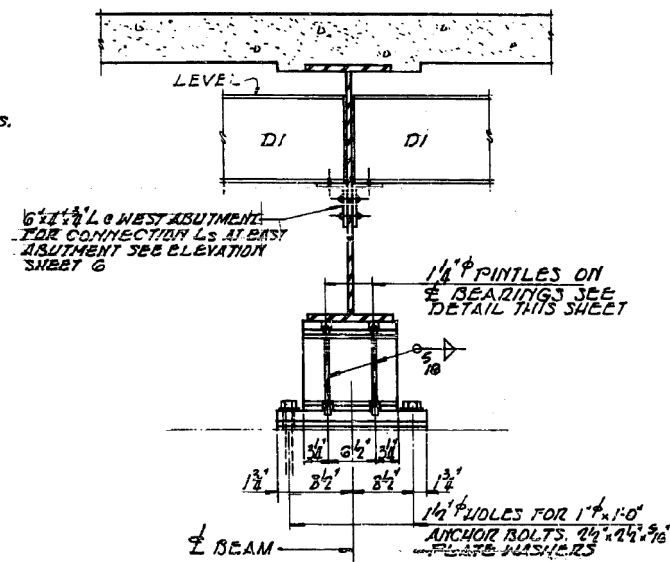
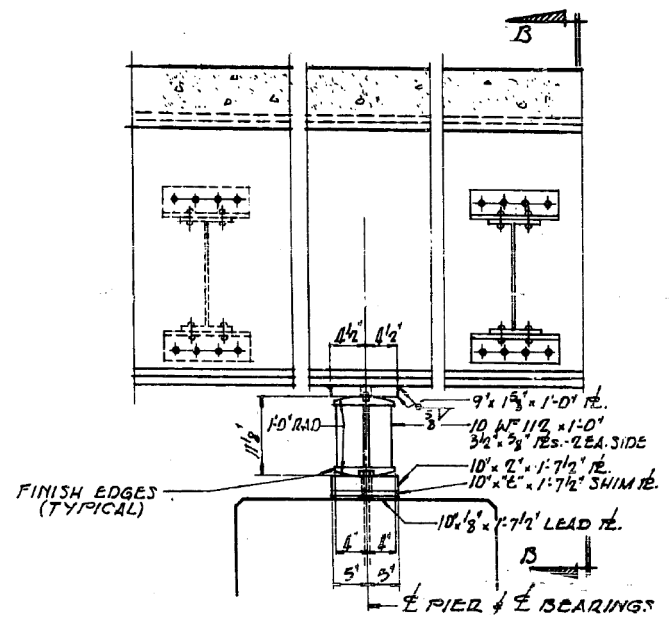


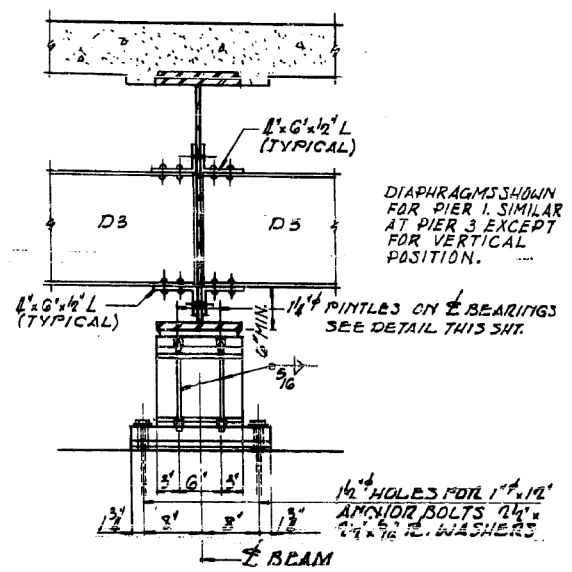
SECTION AT ABUTMENTS
SN 022-0090



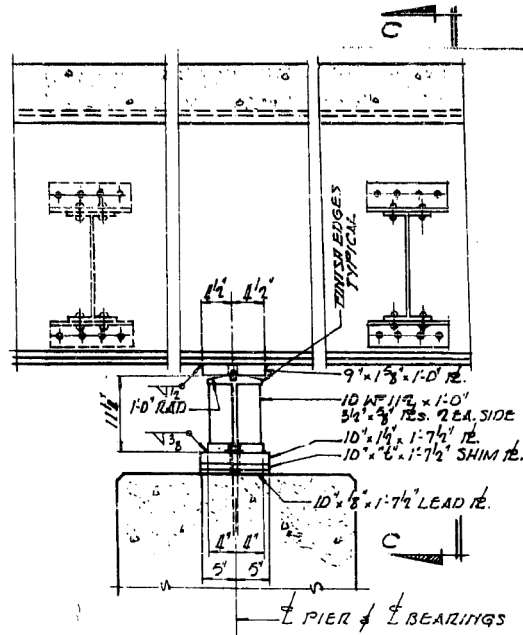
SECTION "A-A"
SN 022-0090



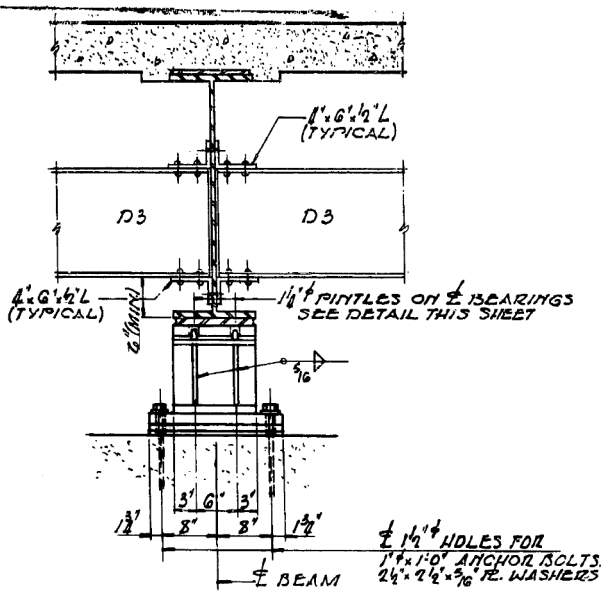
SECTION AT PIER 1 & 3
SN 022-0090



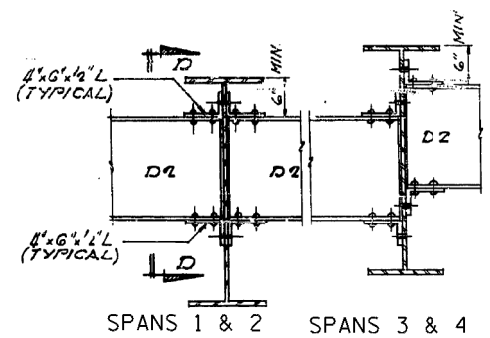
SECTION "B-B"
SN 022-0090



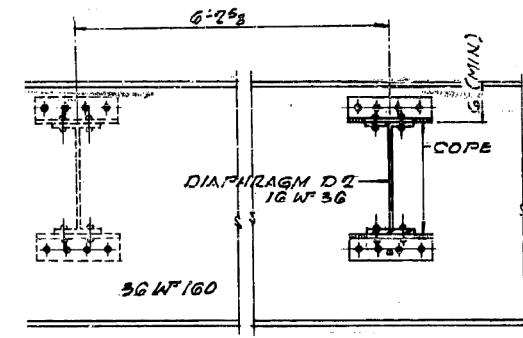
SECTION AT PIER 2
SN 022-0090



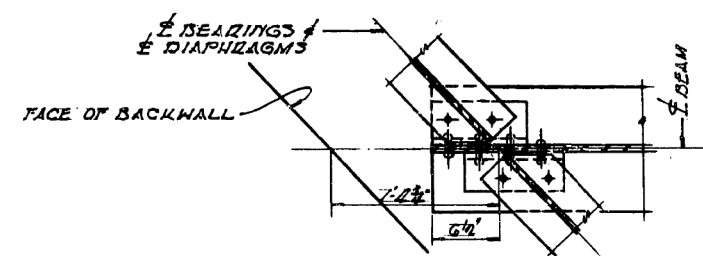
SECTION "C-C"
SN 022-0090



TYPICAL INTERIOR DIAPHRAGMS
SN 022-0090



SECTION "D-D"
SN 022-0090



SECTION "E-E"
SN 022-0090

NOTE:
FOR FRAMING PLAN, SEE SHEET NO. 5.
FOR LOCATIONS OF INTERIOR DIAPHRAGMS D2 & D3, SEE FRAMING PLAN.

FILE NAME =	USER NAME = rozeqan	DESIGNED -	REVISED -	STATE OF ILLINOIS DEPARTMENT OF TRANSPORTATION	SN 022-0090 STRUCTURAL STEEL DETAILS	F.A. RTE.	SECTION	COUNTY	TOTAL SHEETS	SHEET NO.
ci:\pwork\p\d0409160\010215-sh1-plan.dgn		DRAWN -	REVISED -			•	2014-056BP	DUPAGE	11	6
Default		CHECKED -	REVISED -			*1) F&I 290	2) F&P 344	CONTRACT NO. 60Y76		
		DATE -	REVISED -			ILLINOIS FED. AID PROJECT				