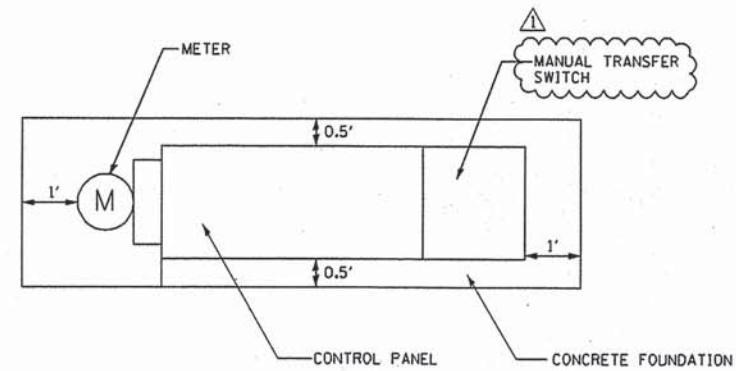
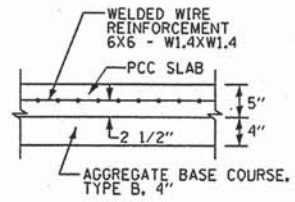


SANITARY SEWER LIFT STATION SITE LAYOUT AND GRADING PLAN



NOTE:
THE CONCRETE FOUNDATION FOR THE CONTROL PANEL SHALL HAVE A MINIMUM DEPTH TO THE BOTTOM OF THE FOUNDATION OF 4" BELOW THE FINISHED GRADE OF THE CONCRETE SLAB.

CONTROL PANEL DETAIL
SCALE: N.T.S.



CONCRETE SLAB AT LIFT STATION DETAIL
SCALE: N.T.S.

NOTES:

1. SANITARY SEWER LIFT STATION PAY ITEM INCLUDES FURNISHING AND INSTALLING THE WET WELL STRUCTURE, VALVE VAULT STRUCTURE, AND ALL PIPING, PUMPS, VALVES, FITTINGS, AND ACCESSORIES WITHIN BOTH STRUCTURES AND BETWEEN THE WET WELL AND VALVE VAULT EXCLUSIVE OF ALL ELECTRICAL AND SCADA RELATED ITEMS. THE LIFT STATION SHALL INCLUDE A GUIDERAIL OR GUIDE CABLE SYSTEM FOR PUMP REMOVAL, WITHOUT ENTERING THE WET WELL, TWO SUBMERSIBLE PUMPS WITH HYDRAULIC SEALING FLANGES, POWER CORDS, PUMP GUIDES, PUMP MOUNTING PLATES, WITH DISCHARGE ELBOWS AND UPPER AND LOWER GUIDE RAIL SUPPORTS, SEALING FLANGES, ACCESS FRAMES AND COVERS, LADDERS, GUIDE RAIL SUPPORTS, CARRIER ASSEMBLY, STAINLESS STEEL PUMP LIFTING CHAIN WITH HOOKS, VENT PIPING, SUMP PUMP, THE VALVE VAULT SUMP PUMP OUTLET PIPE, THE WET WELL PROTECTIVE COATING, CONCRETE FOUNDATION FOR THE CONTROL PANEL, AND THE CONTRACTOR AND PUMP MANUFACTURER'S START-UP SERVICES. THIS PAY ITEM SHALL ALSO INCLUDE EXCAVATION, BACKFILL, TRENCH BACKFILL, DEWATERING, AND DISPOSAL OF REMOVED MATERIAL ASSOCIATED WITH THESE ITEMS.
2. PUMP STATION ELECTRICAL WORK PAY ITEM INCLUDES FURNISHING AND INSTALLING THE ELECTRICAL SYSTEM AND THE SUPERVISORY CONTROL AND DATA ACQUISITION (SCADA) SYSTEM FOR A COMPLETE INSTALLATION AS INDICATED ON THE DRAWINGS AND OUTLINED IN THE SPECIAL PROVISIONS AND SUPPLEMENTAL SPECIFICATIONS FOR LIFT STATION ELECTRICAL. THE ELECTRICAL SYSTEM INCLUDES ASSEMBLING AND MOUNTING THE CONTROL PANEL, THE PUMP CONTROLLER, MANUAL TRANSFER SWITCH, ALL CONNECTIONS AND CONTROLS FOR CONNECTION TO A PORTABLE GENERATOR, FEEDS TO THE PUMPS, GFI OUTLETS, CONDUITS, CABLES, CONNECTIONS, GROUNDING, MANUAL TRANSFER SWITCH, AND ALL ASSOCIATED ITEMS AND ELECTRICAL TESTING. SCADA SYSTEM INCLUDES FURNISHING AND INSTALLING THE FLOATS AND LEVEL TRANSDUCERS AND FEEDS TO THE FLOATS AND LEVEL TRANSDUCERS, RELATED APPURTENANCES, PROGRAMMING, ALL SCADA TESTING, EXCAVATION, BACKFILL, TRENCH BACKFILL, DEWATERING, AND DISPOSAL OF REMOVED MATERIAL. THE LUMP SUM PRICE SHALL ALSO INCLUDE ONE FULL DAY OF START-UP SERVICES.
3. THE SANITARY SEWER LIFT STATION ELECTRIC SERVICE INSTALLATION AND ELECTRIC SERVICE UTILITY CONNECTION WILL BE PAID FOR SEPARATELY.
4. THE CONCRETE SLAB WITH AGGREGATE BASE COURSE, CHAIN LINK FENCE, AND GATE WILL BE PAID FOR SEPARATELY.
5. THE LIGHTING CONTROLLER, SPECIAL WITH CONCRETE FOUNDATION, LIGHTING ELECTRIC SERVICE INSTALLATION AND LIGHTING ELECTRIC SERVICE UTILITY CONNECTION WILL BE PAID FOR SEPARATELY.
6. THE CONTRACTOR SHALL INSTALL ALL EQUIPMENT AS TO COMPLY WITH REQUIRED ELECTRICAL CLEARANCES PER THE NATIONAL ELECTRICAL CODE, NATIONAL ELECTRICAL SAFETY CODE, AND COM ED REQUIREMENTS.

Plotfile: 11/18/2014 3:18:29 PM By: JSchmidt

Engineering Enterprises, Inc.
CONSULTING ENGINEERS
52 Wheeler Road
Sugar Grove, Illinois 60554
630.466.8700 / www.eeinc.com

CITY OF WARRENVILLE
3S258 MANNING AVENUE
WARRENVILLE, IL 60555

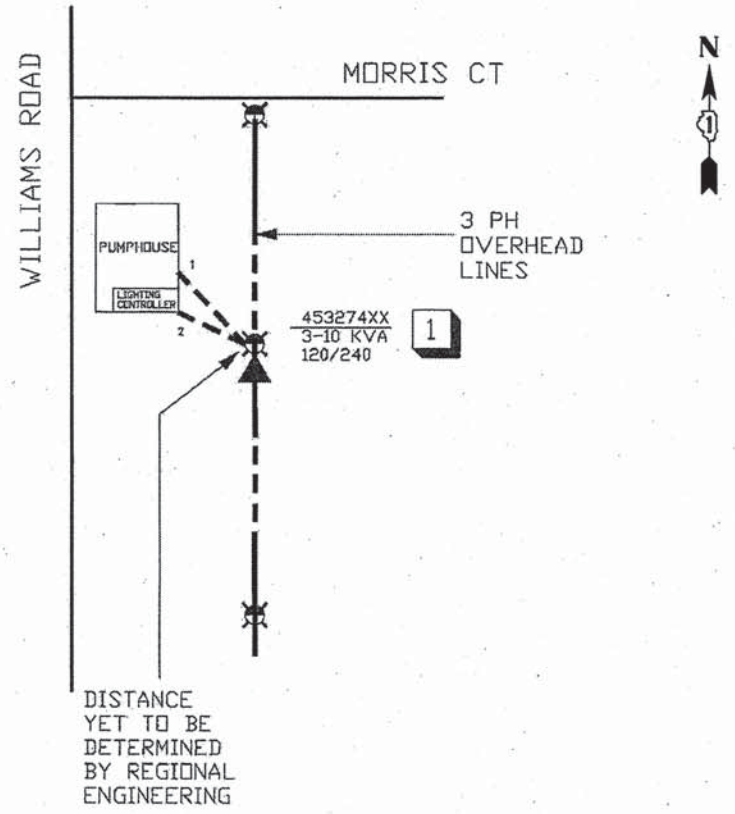
DESIGNED - TVW	REVISED - JPS 10/17/12
DRAWN - JPS	REVISED - JPS 11/30/12
CHECKED - JRL	REVISED - JPS 01/28/13
DATE - 8/23/2012	REVISED - ADDENDUM #1 (11/18/14)

STATE OF ILLINOIS
DEPARTMENT OF TRANSPORTATION

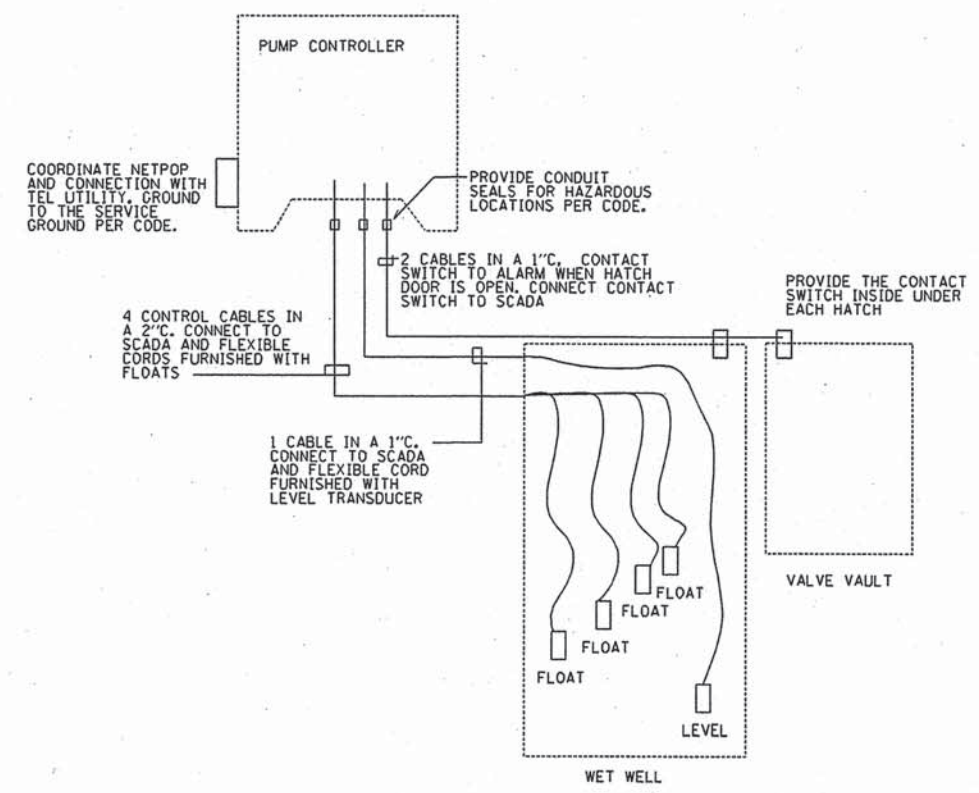
WILLIAMS ROAD BRIDGE REMOVAL AND REPLACEMENT
SANITARY SEWER LIFT STATION - SITE PLAN AND DETAILS
SCALE: 1"=5' SHEET NO. 1 OF 3 SHEETS STA. N/A TO STA. N/A

F.A.U. RTE.	SECTION	COUNTY	TOTAL SHEETS	SHEET NO.
N/A	09-00030-00-BR	DUPAGE	80	26
C-91-515-10		CONTRACT NO. 63761		
ILLINOIS FED. AID PROJECT BRW-4003344				

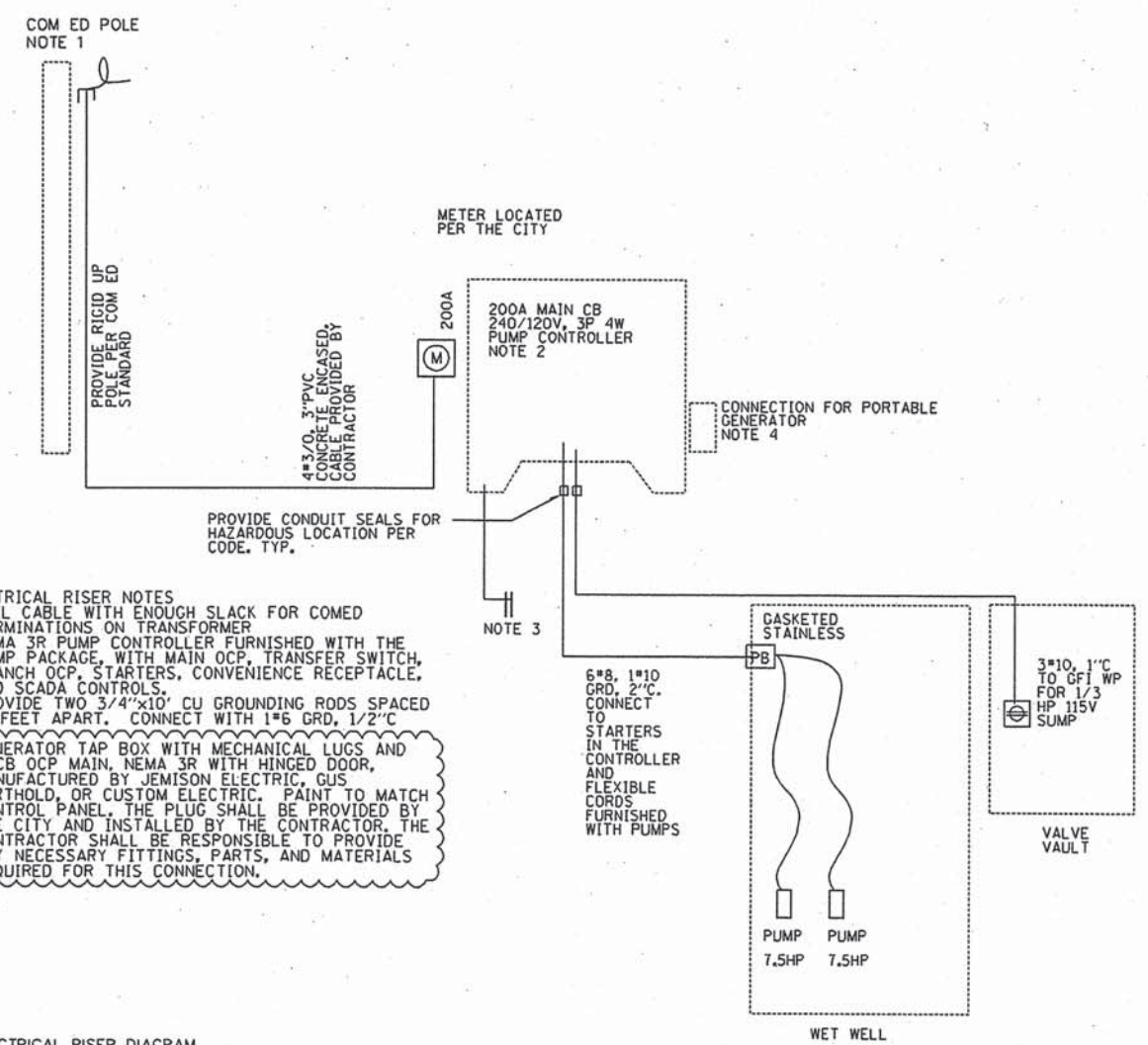
Path: H:\SIS\Proj\WB088-Micro\Opt\Bri Final\Eng\WB088-LIFTSSitePlan.dwg



SERVICE ENTRANCE LOCATION SKETCH BY COM ED
SCALE: N.T.S.



SCADA RISER DIAGRAM
SCALE: N.T.S.



ELECTRICAL RISER DIAGRAM
SCALE: N.T.S.

Plotfiled: 11/18/2014 3:17:19 PM By: JSchmidt

Engineering Enterprises, Inc.
CONSULTING ENGINEERS
52 Wheeler Road
Sugar Grove, Illinois 60554
630.455.8700 / www.eeinc.com

CITY OF WARRENVILLE
3S258 MANNING AVENUE
WARRENVILLE, IL 60555

DESIGNED - TVW	REVISED - JPS 10/17/12
DRAWN - JPS	REVISED - JPS 11/30/12
CHECKED - JRL	REVISED - JPS 01/28/13
DATE - 8/23/2012	REVISED - ADDENDUM #1 (11/18/14)

STATE OF ILLINOIS
DEPARTMENT OF TRANSPORTATION

WILLIAMS ROAD BRIDGE REMOVAL AND REPLACEMENT
SANITARY SEWER LIFT STATION - ELECTRICAL DIAGRAM

SCALE: N.T.S. SHEET NO. 3 OF 3 SHEETS STA. N/A TO STA. N/A

F.A.U. RTE.	SECTION	COUNTY	TOTAL SHEETS	SHEET NO.
N/A	09-00030-00-BR	DUPAGE	80	28
C-91-515-10		CONTRACT NO. 63761		
ILLINOIS FED. AID PROJECT BRM-40031340				

Path: R:\SSS\7700\00000-00000\09-00030-00-BR\Eng\000001\000001.dwg