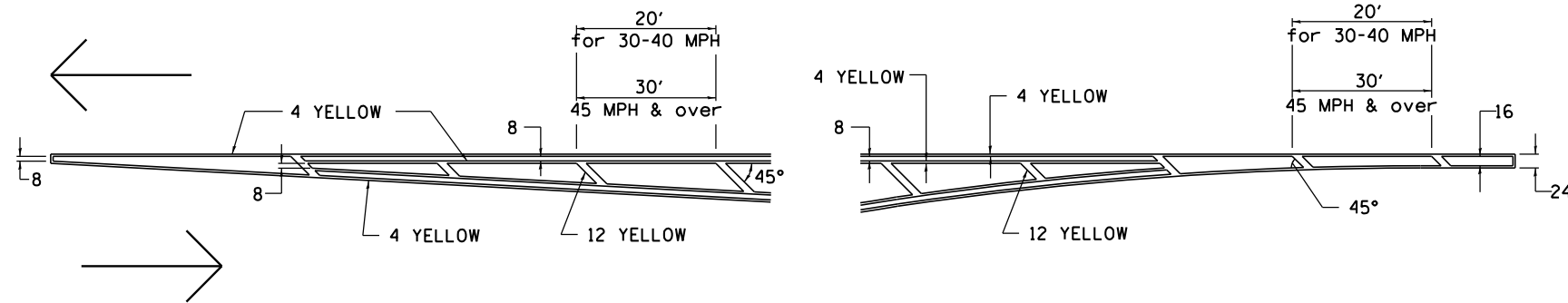
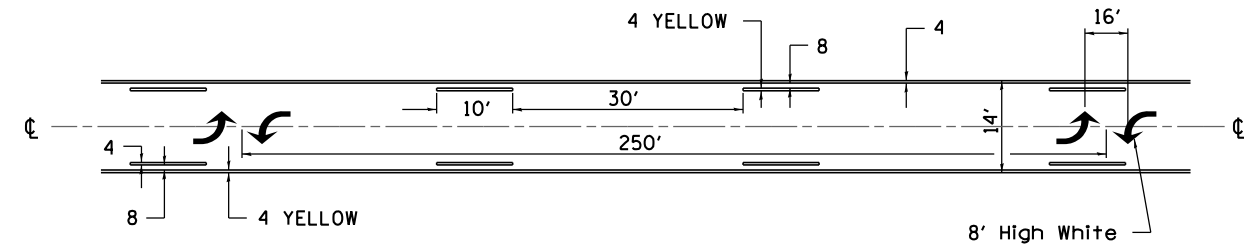


TYPICAL PAVEMENT MARKINGS

TYPICAL PAVEMENT MARKING FOR FLUSH MEDIAN AT LEFT TURN LANE

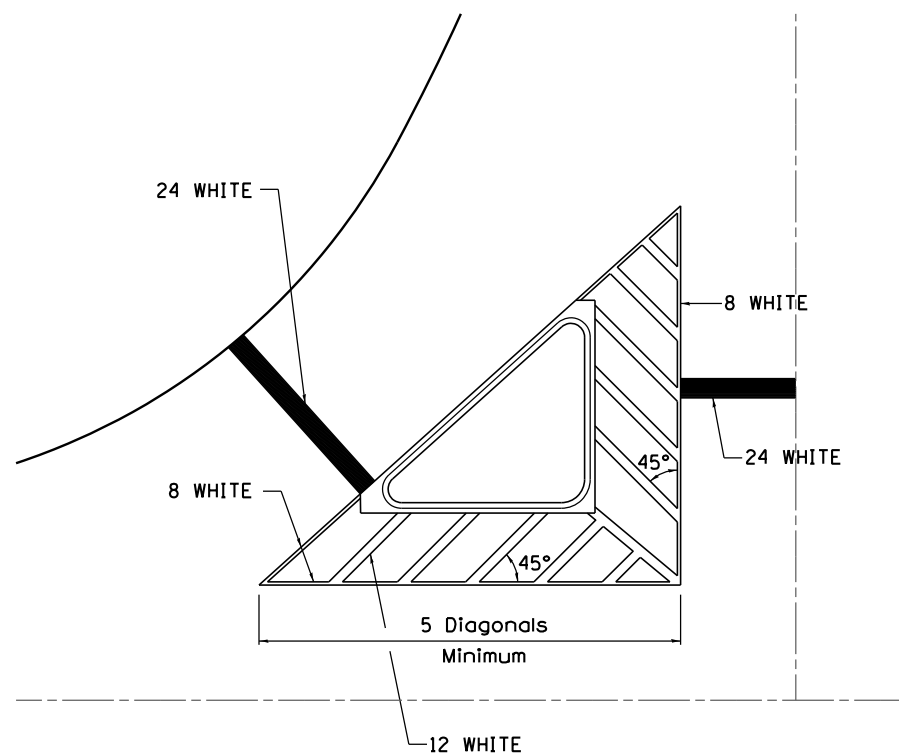


MEDIAN PAVEMENT MARKING

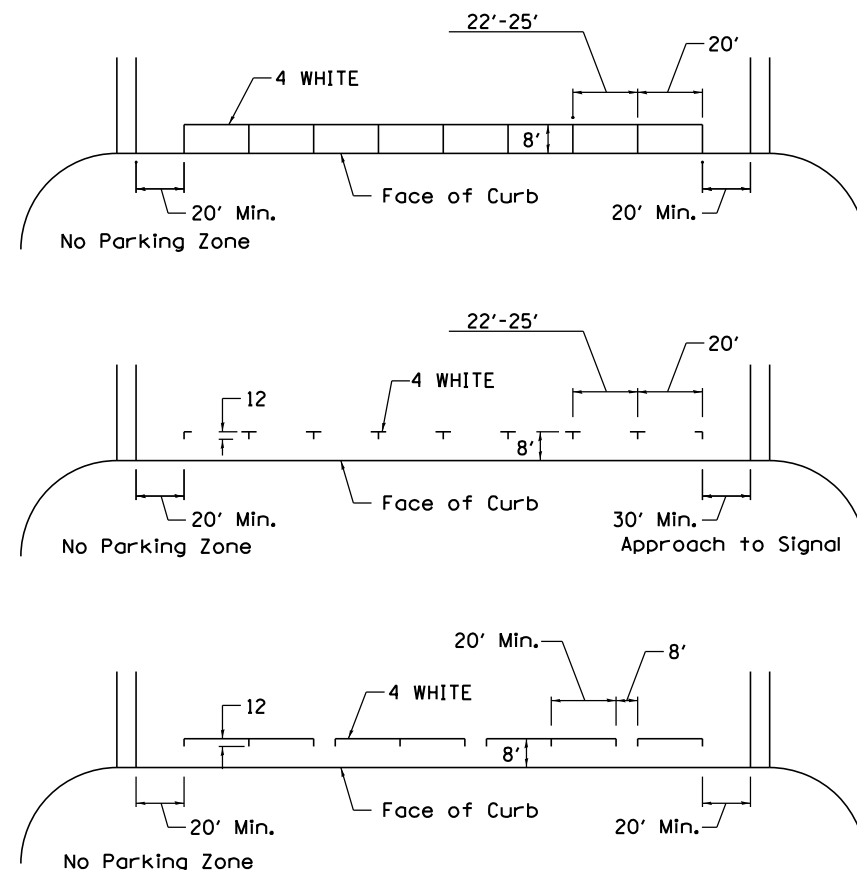


•• ALL DIMENSIONS ARE IN INCHES UNLESS OTHERWISE NOTED.

TYPICAL ISLAND OFFSET SHOULDER WIDTH

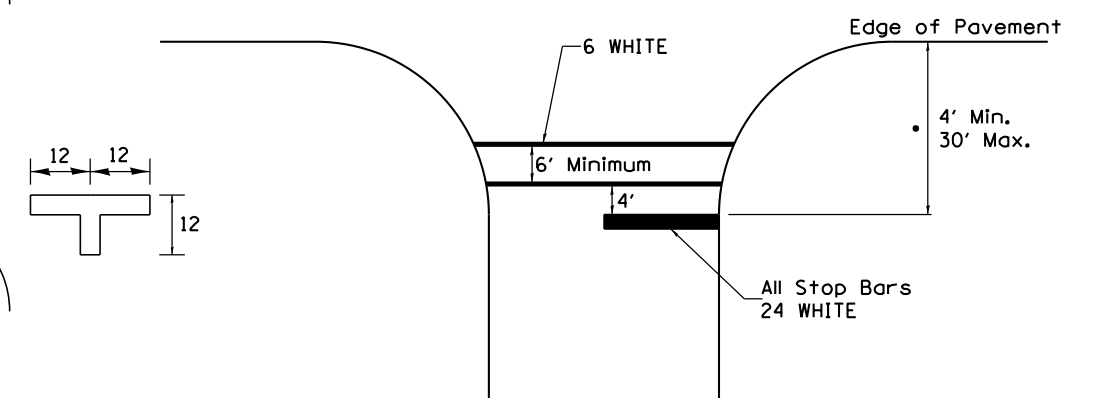


TYPICAL PARKING SPACING



STANDARD CROSSWALK MARKING

See Schedules for Locations



• Distance to the nearest edge of the intersecting roadway in the absence of a marked crosswalk.

FILE NAME =	USER NAME = brianf	DESIGNED -	REVISED - 3-5-12	STATE OF ILLINOIS DEPARTMENT OF TRANSPORTATION	REGION 2 / DISTRICT 2 STANDARD				F.A.P. RTE.	SECTION	COUNTY	TOTAL SHEETS	SHEET NO.
st:\joi\6300--6399\6346\025\micros\Shd\064C17-sht-districtdetails.dgn		DRAWN -	REVISED -		646	101 BR-3	WHITESIDE	130	118				
PLOT SCALE = 2.0000' / in.		CHECKED -	REVISED -		CONTRACT NO. 64C17								
PLOT DATE = 8/14/2014		DATE -	REVISED -		FED. ROAD DIST. NO. 2 ILLINOIS FED. AID PROJECT								
SCALE:					SHEET NO.	OF SHEETS	STA.	TO STA.					