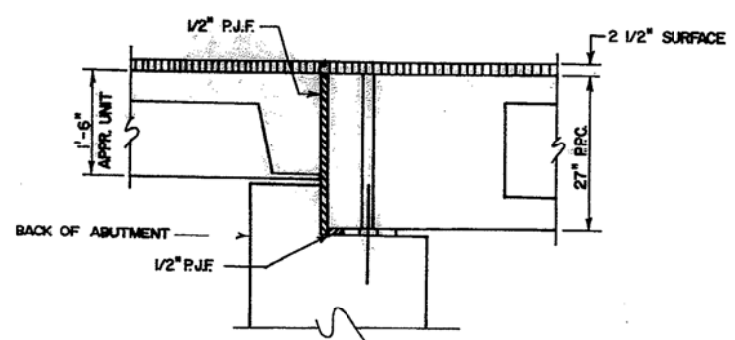


ROUTE NO.	SEC.	COUNTY	TOTAL SHEETS	SHEET NO.
FA 646	X	CARROLL	9	6
FED. ROAD DIST. NO. 7 ILLINOIS PROJECT				

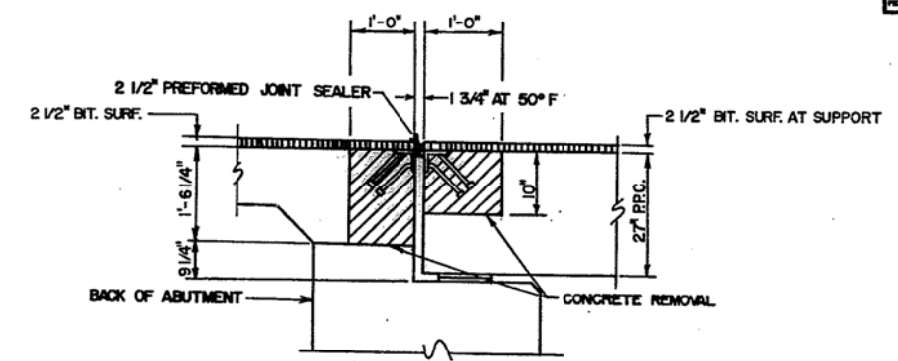
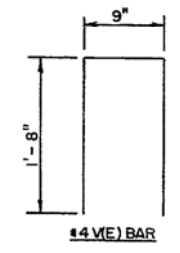
* 5BR-1-M



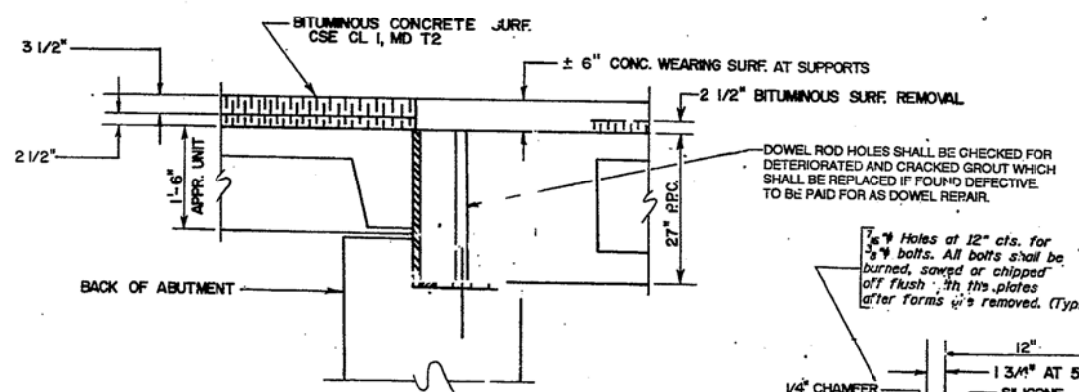
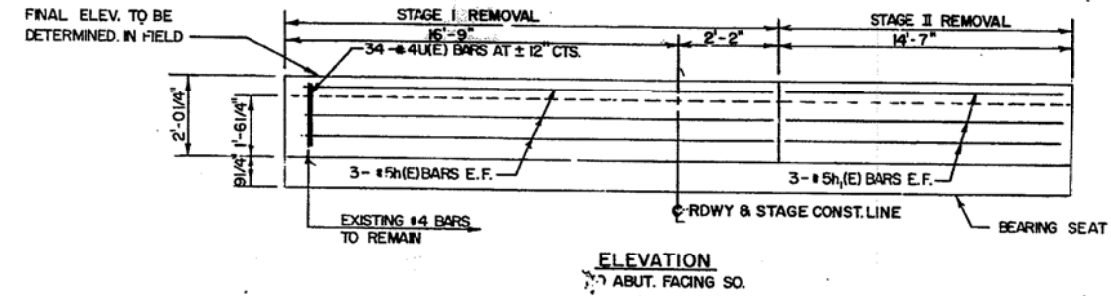
EXIST. SECTION THRU SOUTH ABUT.

BILL OF MATERIALS (No. ABUT. ONLY)

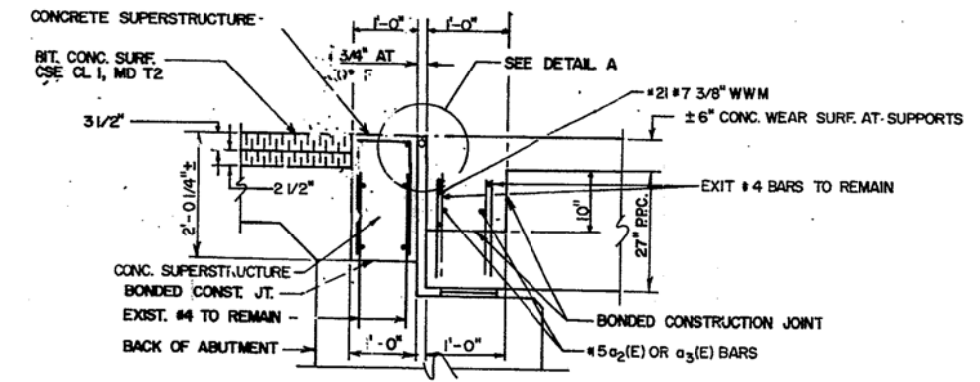
BAR	No.	SIZE	LENGTH	SHAPE
h (E)	6	#5	16'-9"	
h (E)	6	#5	16'-7"	
U (E)	34	#4	4'-1"	
Concrete Removal			CU. YD.	2.0
Concrete Superstructure			CU. YD.	3.0
Reinforcement Bars, Epoxy Ctd.			POUND	320



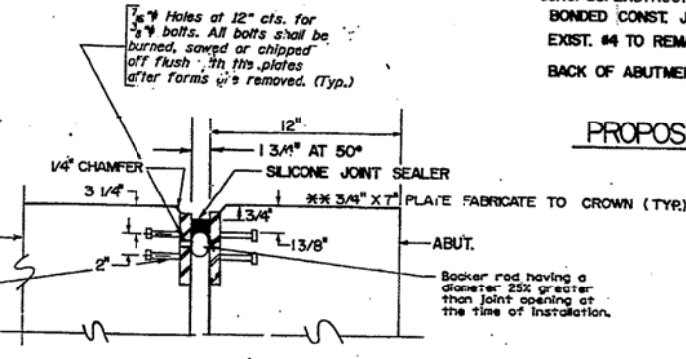
EXIST. SECTION THRU NORTH ABUT.



PROPOSED SECTION THRU SOUTH ABUT.



PROPOSED SECTION THRU NORTH ABUT.



DETAIL A

SN 008-0014
 DISTRICT NO. 2 DIXON
 DESIGNED D. PAUSER
 DRAWN T. MISFELDT
 CHECKED D. PAUSER
 DATE 2/95
 SCALE

** Furnish in segments of 20 ft. maximum length. Maximum space between installed segments shall be 1/8". Seal space with Silicone Sealant suitable for Structural Steel. NO FIELD PAINTING REQUIRED.

REVISED 3-22-96

FILE NAME = ...\\D264084-SHT-ExBridg.dgn

USER NAME = SAW	DESIGNED - RAC	REVISED -
PLOT SCALE = 40.0000' / in.	DRAWN - SAW	REVISED -
PLOT DATE = 8/1/2013	CHECKED - DAZ	REVISED -
	DATE - 08-08-13	REVISED -

STATE OF ILLINOIS
 DEPARTMENT OF TRANSPORTATION

ZROKA
 engineering
 Zroka Engineering, P.C.
 4216 North Hermitage
 Chicago, IL 60613

EXISTING BRIDGE PLANS
 FOR INFORMATION ONLY

F.A.P. RTE.	SECTION	COUNTY	TOTAL SHEETS	SHEET NO.
646	5 BR-3	CARROLL	84	43
CONTRACT NO. 64084				

SCALE: SHEET 1 OF 28 SHEETS STA. TO STA.

ILLINOIS FED. AID PROJECT