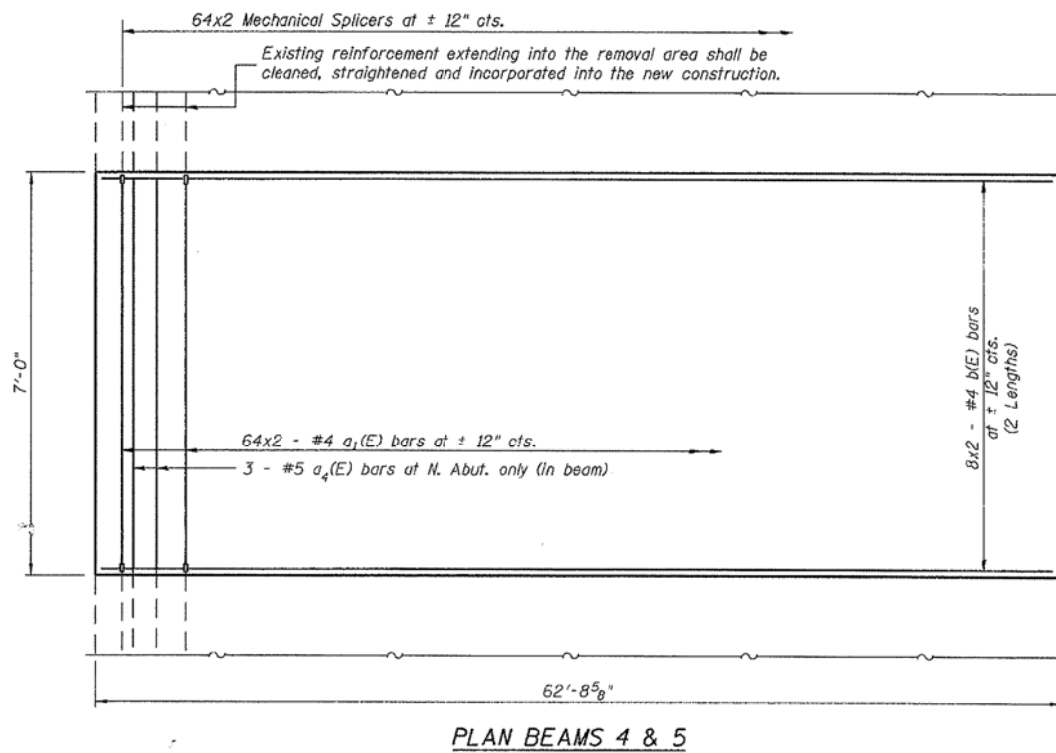
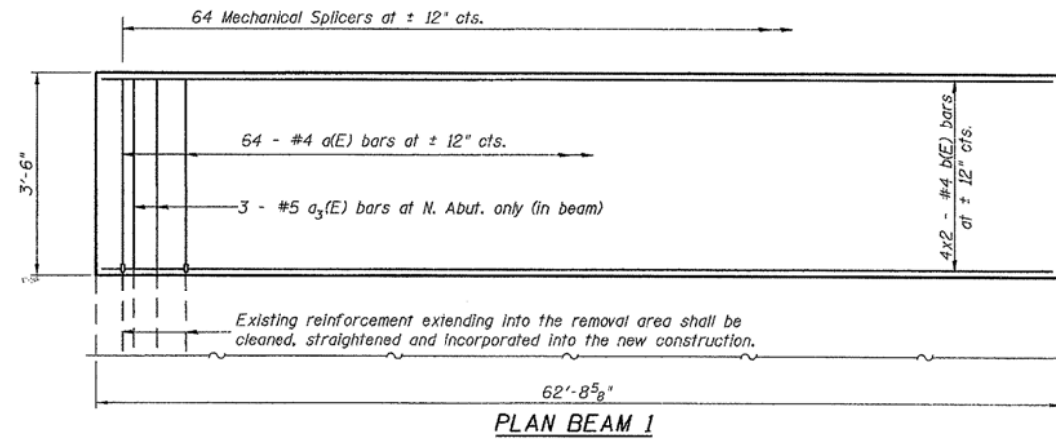
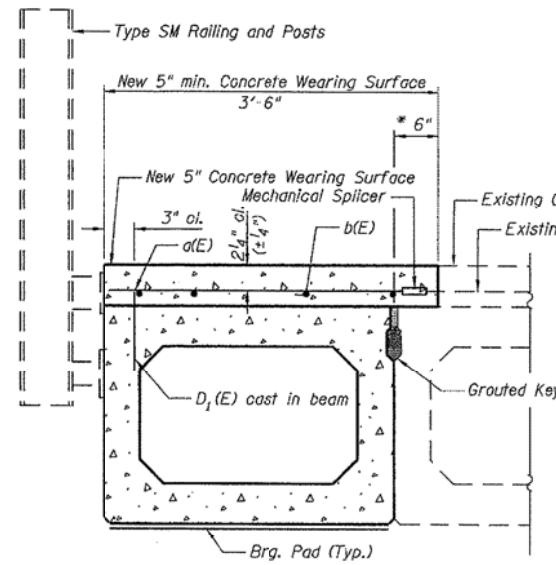


STATE OF ILLINOIS
DEPARTMENT OF TRANSPORTATION

ROUTE NO.	SECTION	COUNTY	TOTAL SHEETS	SHEET NO.
F.A.P. 646		CARROLL	16	8
FED. ROAD DIST. NO. 7	BLDG. NO.	FED. AID PROJECT		

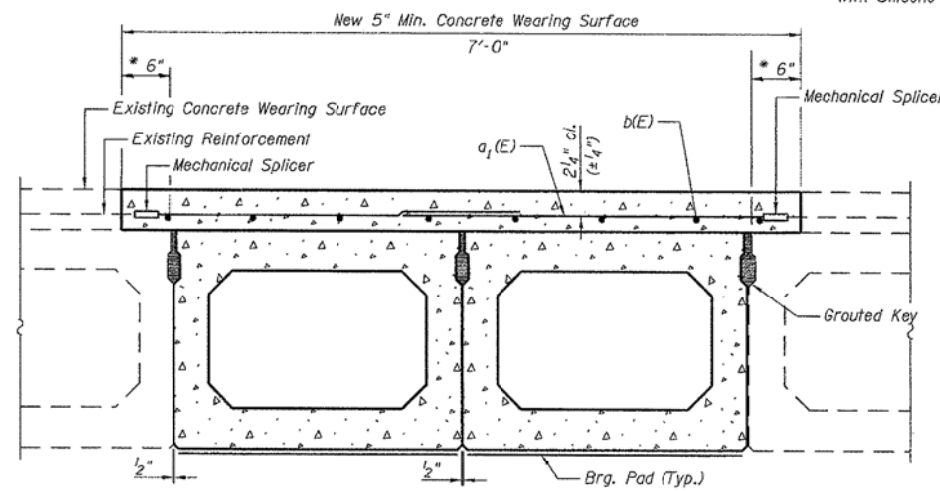


DESIGNED	DFM
CHECKED	CH
DRAWN	MV
CHECKED	DFM



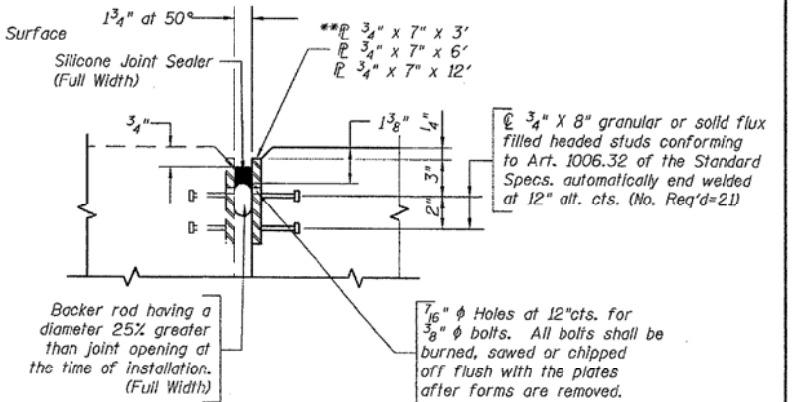
SECTION THRU BEAM 1

* Limits of 5" min. Concrete Wearing Surface Removal. Cost Included with Concrete Removal.



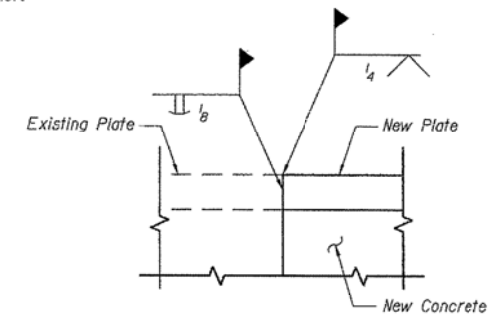
SECTION THRU BEAMS 4 & 5

* Limits of 5" min. Concrete Wearing Surface Removal. Cost Included with Concrete Removal.



SILICONE JOINT SEAL

**After fabrication, all surfaces of the steel \bar{L} 's shall be painted with the inorganic zinc rich primer per AASHTO M300, Type 1. Cost of furnishing and erecting and painting the structural steel is included with Silicone Joint Sealer.



ELEVATION JOINT PLATE WELD

Cost Included with Silicone Joint Sealer

BILL OF MATERIALS

See Sheet 6 of 8.

SUPERSTRUCTURE DETAILS
F.A.P. 646 (IL RTE 40)
CARROLL COUNTY
STRUCTURE NO. 008-0014
SHEET 16 OF 52

FILE NAME = ... \0264084-SHT-ExBridg.dgn

USER NAME = SAW
PLOT SCALE = 40.0000' / in.
PLOT DATE = 8/1/2013

DESIGNED - RAC
DRAWN - SAW
CHECKED - DAZ
DATE - 08-08-13

REVISED -
REVISED -
REVISED -
REVISED -

STATE OF ILLINOIS
DEPARTMENT OF TRANSPORTATION

ZROKA
engineering

Zroka Engineering, P.C.
4216 North Hermitage
Chicago, IL 60613

EXISTING BRIDGE PLANS
FOR INFORMATION ONLY

SCALE: SHEET 3 OF 28 SHEETS STA. TO STA.

F.A.P. RTE.	SECTION	COUNTY	TOTAL SHEETS	SHEET NO.
646	5 BR-3	CARROLL	84	45
			CONTRACT NO. 64084	
ILLINOIS FED. AID PROJECT				