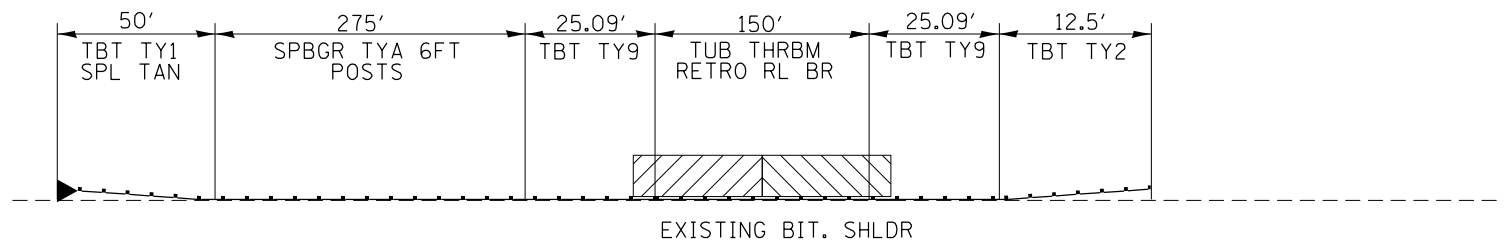


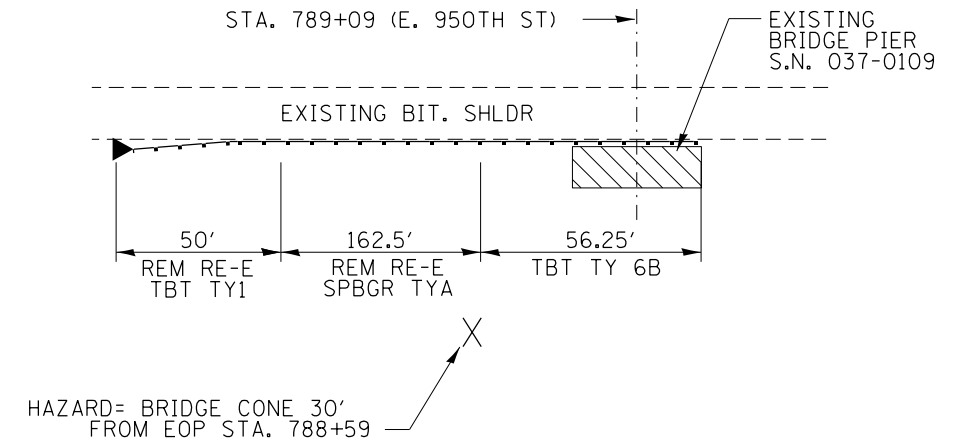
# EASTBOUND GUARDRAIL

RT STA. 721+81 TO STA 725+43

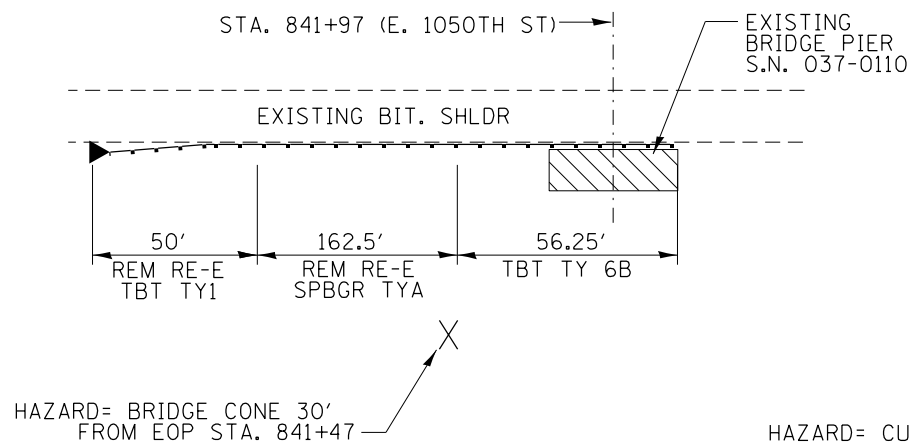
HAZARD = END OF PARAPET @ STA 723+52 ; 3' FROM EOP



RT STA. 786+47 TO STA 789+15

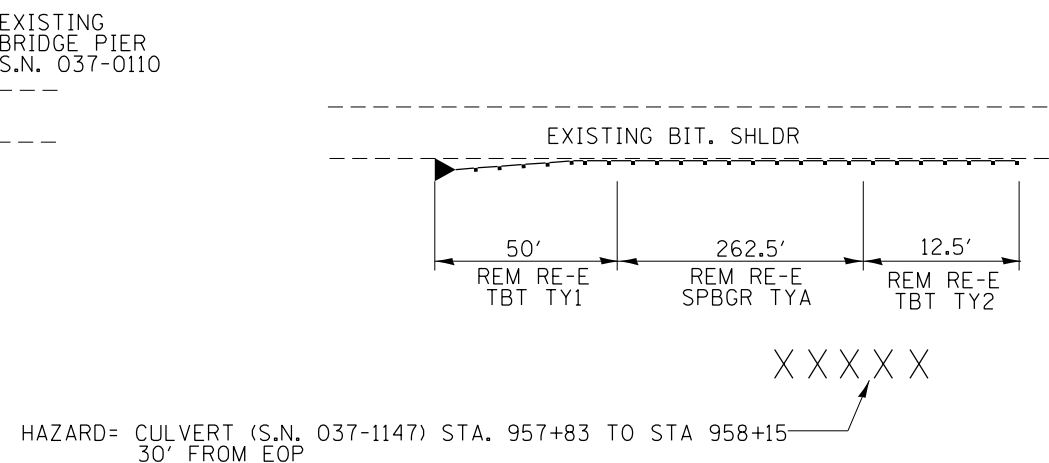


RT STA. 839+34 TO STA 842+03

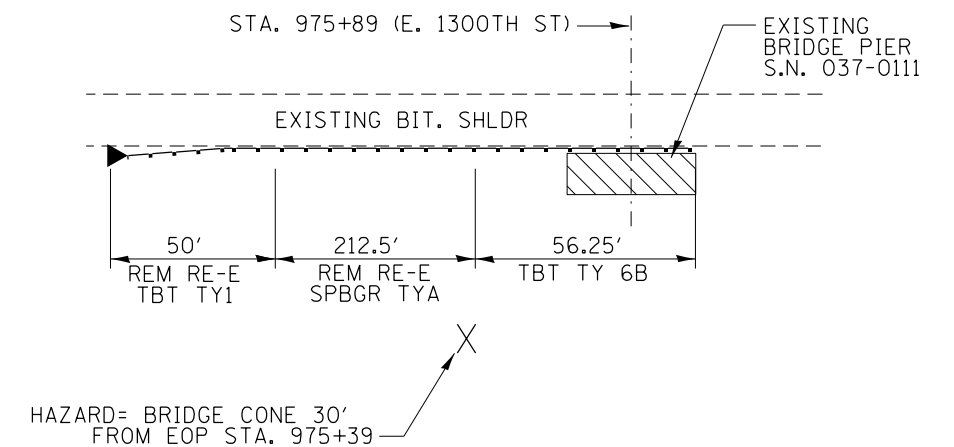


RT STA. 955+25 TO STA 958+53

E. 1050TH @ STA. 841+97



RT STA. 972+77 TO STA 975+96



FILE NAME =	USER NAME = grantpm	DESIGNED -	REVISED -	<b>STATE OF ILLINOIS DEPARTMENT OF TRANSPORTATION</b>	<b>GUARDRAIL DETAILS</b>			F.A.I. RTE.	SECTION	COUNTY	TOTAL SHEETS	SHEET NO.
Default	Plot SCALE = 100.000' / in.	CHECKED -	REVISED -					80	(37-2,3) RS-3	HENRY	50	31
	PLOT DATE = Tue Aug 19 14:47:23 2014	DATE -	REVISED -		SCALE: SHEET OF SHEETS STA. TO STA.			CONTRACT NO. 64G63				
					ILLINOIS FED. AID PROJECT							