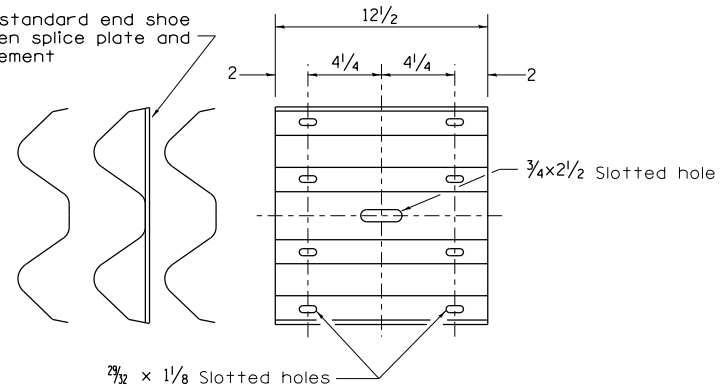
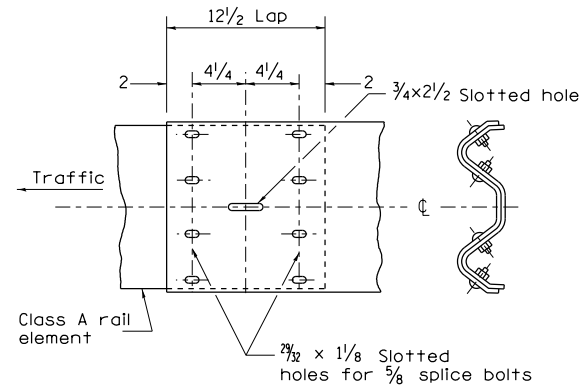


REMOVE AND REERECT STEEL PLATE BEAM GUARDRAIL

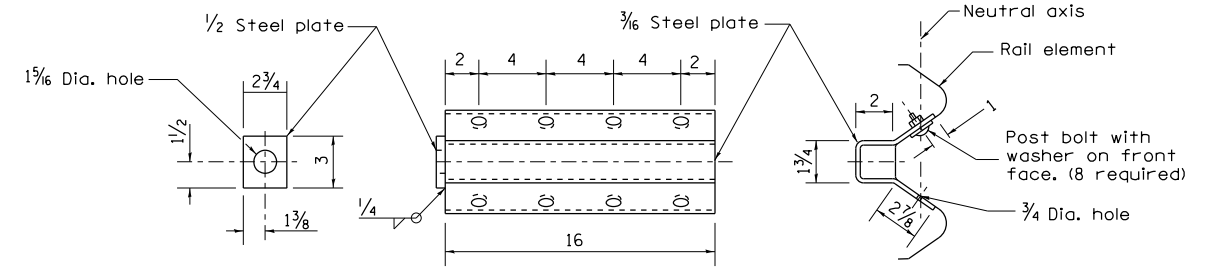
Place standard end shoe between splice plate and rail element



SPLICE PLATE

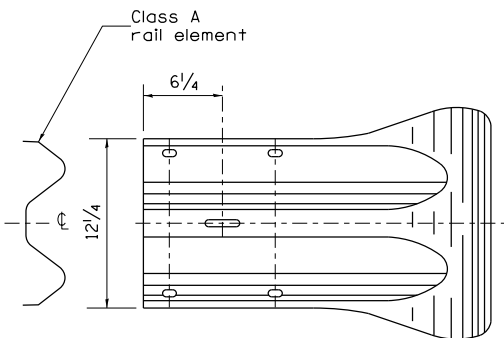
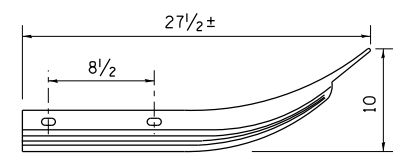


RAIL ELEMENT SPLICE

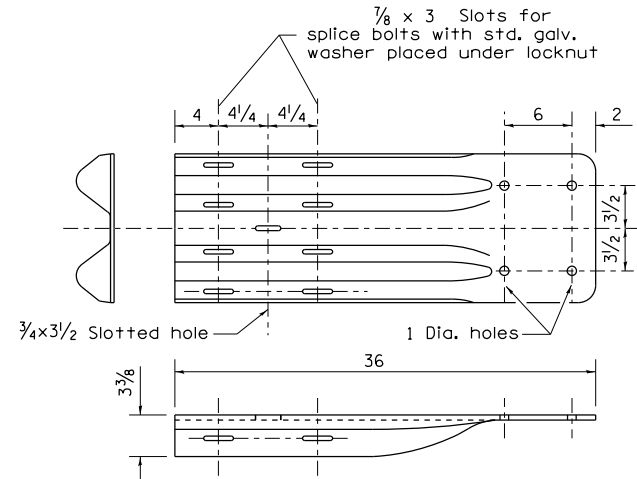


NOTE
Anchor plate T shall be used to attach cable assembly to guardrail when required on traffic barrier terminals.

ANCHOR PLATE T DETAILS

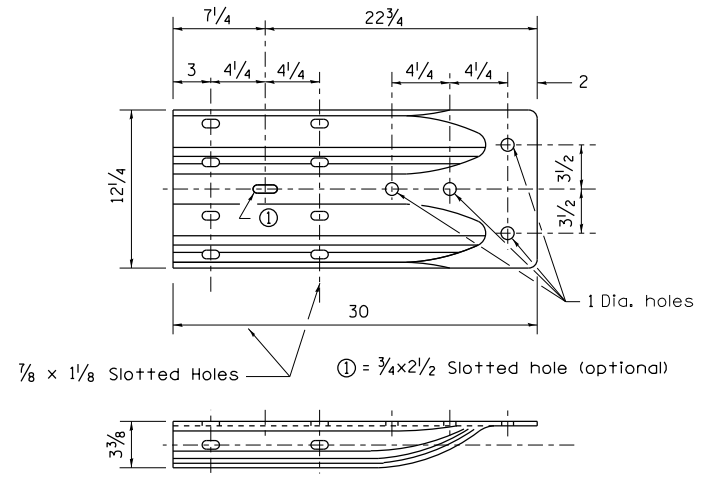


END SECTION



NOTE
When end shoe is attached to a bridge parapet which has an expansion joint, the bolts shall be provided with a locknut or double nut and shall be tightened only to a point that will allow guardrail movement.
The standard end shoe shall be attached to the concrete with pre-drilled or self-drilling anchor bolts. The anchor cone shall be set flush with the surface of the concrete.
Externally threaded studs protruding from the surface of the concrete will not be permitted.

END SHOE



ALTERNATE END SHOE

FILE NAME =	USER NAME = grantpm	DESIGNED -	REVISED - 10-18-11
ca:\pw\work\pwidot\grantpm\d0340191\ND200811-sh-t-details.dgn		DRAWN -	REVISED -
	PLOT SCALE = 100.000' / in.	CHECKED -	REVISED -
	PLOT DATE = Tue Aug 19 14:53:12 2014	DATE -	REVISED -

**STATE OF ILLINOIS
DEPARTMENT OF TRANSPORTATION**

REGION 2 / DISTRICT 2 STANDARD

SCALE:	SHEET NO.	OF SHEETS	STA.	TO STA.
--------	-----------	-----------	------	---------

F.A.I. RTE.	SECTION	COUNTY	TOTAL SHEETS	SHEET NO.
80	(37-2,3) RS-3	HENRY	50	48
FED. ROAD DIST. NO. ILLINOIS FED. AID PROJECT			CONTRACT NO. 64G63	