

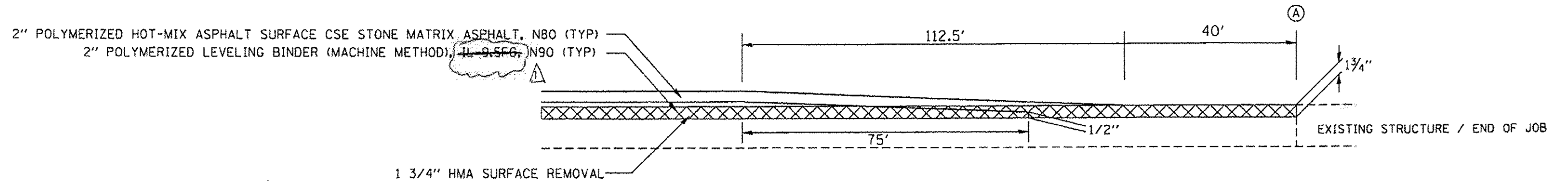
# TYPICAL SECTIONS

Ⓐ EASTBOUND

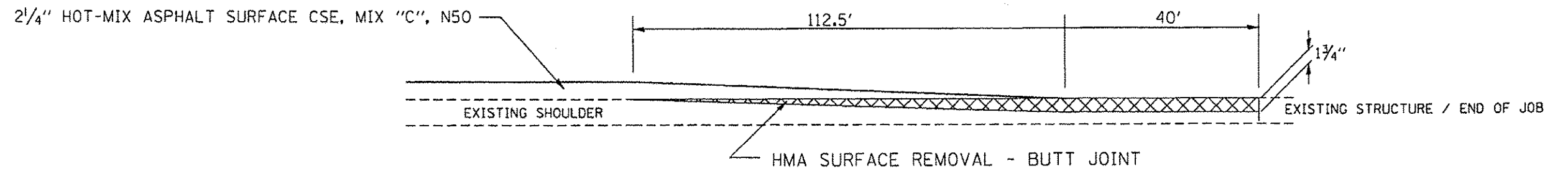
Ⓐ WESTBOUND

1042+61	1317+26	1929+96	1256+82
1045+80	1318+51	1755+42	1254+56
1052+14	1609+85	1752+98	1056+48
1057+23	1613+65	1613+21	1051+82
1254+60	1753+33	1609+41	1044+78
1256+83	1755+67	1318+54	1041+56
	1929+96	1317+10	

## MAINLINE TAPER



## SHOULDER TAPER



⚠ REVISION ON 10/22/14

FILE NAME *	USER NAME *	DESIGNED -	REVISED -	<b>STATE OF ILLINOIS DEPARTMENT OF TRANSPORTATION</b>	<b>TYPICAL SECTIONS</b>			F.A.I. RTE.	SECTION	COUNTY	TOTAL SHEETS	SHEET NO.
e:\pos_work\pvidot\granton\0318581\0288	granton	DRAWN -	REVISED -					80	137-4.5.6RS-2	HENRY	80	18
Default		CHECKED -	REVISED -		SCALE: SHEET OF SHEETS STA. TO STA.			ILLINOIS FED. AID PROJECT				
		DATE -	REVISED -		CONTRACT NO. 64C64							