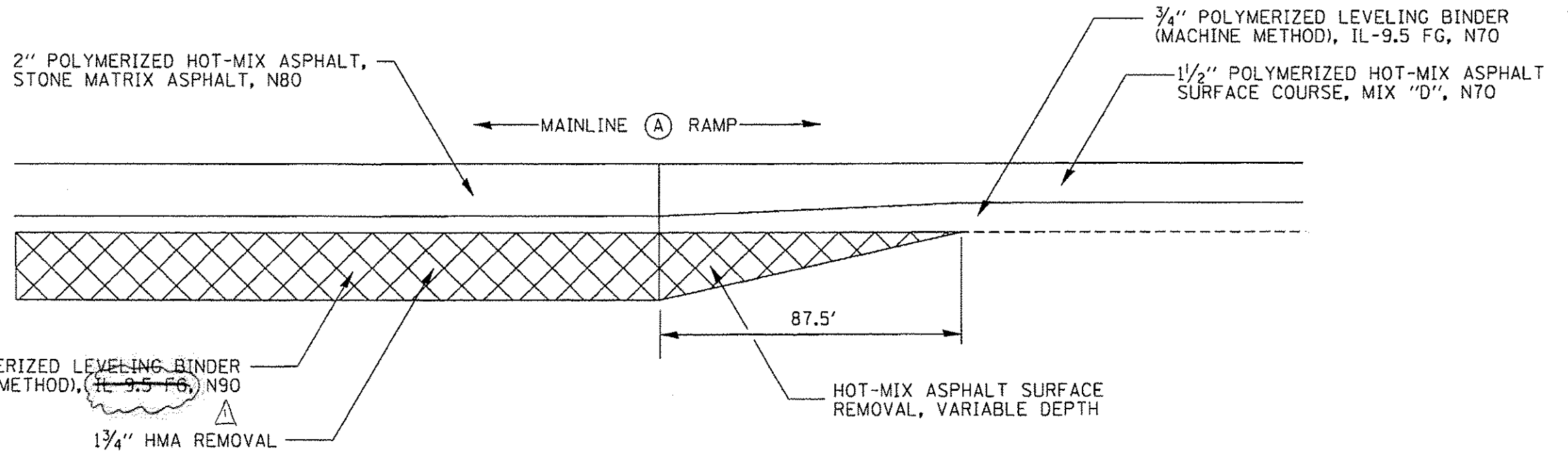


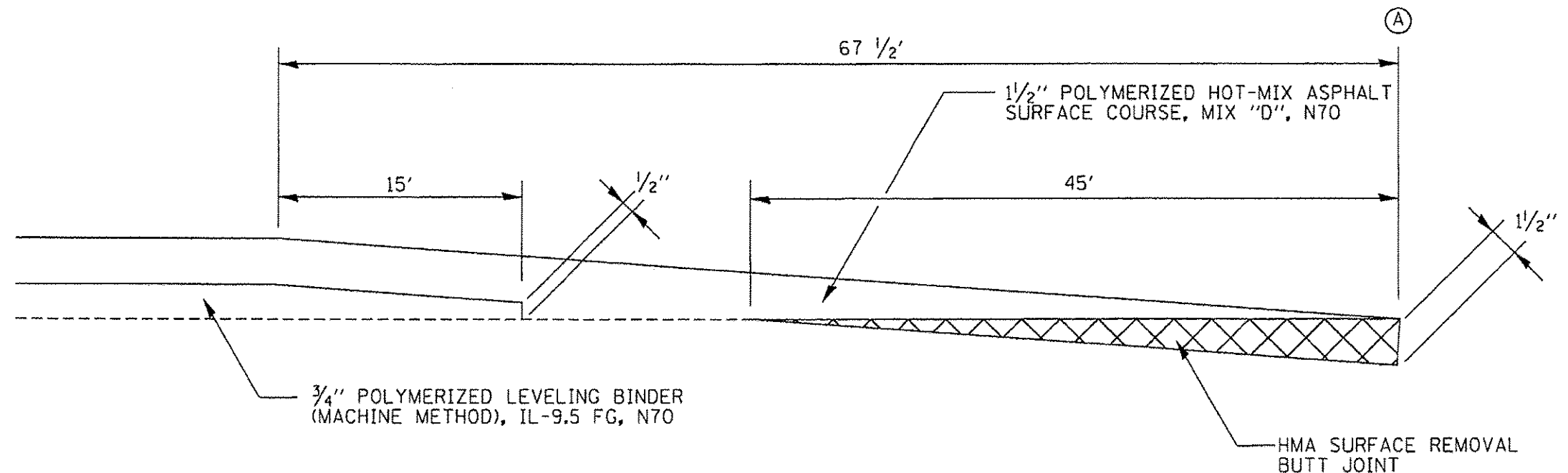
A	RAMP LOCATION
EB I-80 TO IL 82	STA 22+64
IL 82 TO EB I-80	STA 36+97
WB I-80 TO IL 82	STA 14+25
IL 82 TO WB I-80	STA 4+05
EB I-80 TO ATKINSON RD	STA 60+00
ATKINSON RD TO EB I-80	STA 71+05
WB I-80 TO ATKINSON RD	STA 49+80
ATKINSON RD TO WB I-80	STA 41+05
EB I-80 TO IL 78	STA 100+40
IL 78 TO EB I-80	STA 210+28
WB I-80 TO IL 78	STA 90+52
IL 78 TO WB I-80	STA 81+22

TRANSITION FROM MAINLINE RESURFACING TO RAMP RESURFACING



A	RAMP LOCATION
EB I-80 TO IL 82	STA 32+98
IL 82 TO EB I-80	STA 30+18
WB I-80 TO IL 82	STA 23+61
IL 82 TO WB I-80	STA 8+26
EB I-80 TO ATKINSON RD	STA 72+75
ATKINSON RD TO EB I-80	STA 81+82
WB I-80 TO ATKINSON RD	STA 61+51
ATKINSON RD TO WB I-80	STA 49+69
EB I-80 TO IL 78	STA 111+84
IL 78 TO EB I-80	STA 200+26
WB I-80 TO IL 78	STA 102+35
IL 78 TO WB I-80	STA 91+55

HMA SURFACE REMOVAL – BUTT JOINTS (RAMPS)



△ REVISED ON 10/22/14

FILE NAME *	USER NAME * grantpm	DESIGNED -	REVISED -	STATE OF ILLINOIS DEPARTMENT OF TRANSPORTATION	TYPICAL SECTIONS		F.A. RTE.	SECTION	COUNTY	TOTAL SHEETS	SHEET NO.	
at\p\work\pvidost\grantpm\0310501\0200	11-shr-typos1.dgn	DRAWN -	REVISED -		80	(37-4,5,6)RS-2	HENRY	80	20	CONTRACT NO. 64664		
Default	PLOT SCALE = 1/8" = 1' / in.	CHECKED -	REVISED -		SCALE:	SHEET	OF	SHEETS	STA.	TO STA.	ILLINOIS FED. AID PROJECT	
	PLOT DATE = Fri Aug 22 09:51:19 2014	DATE -	REVISED -									