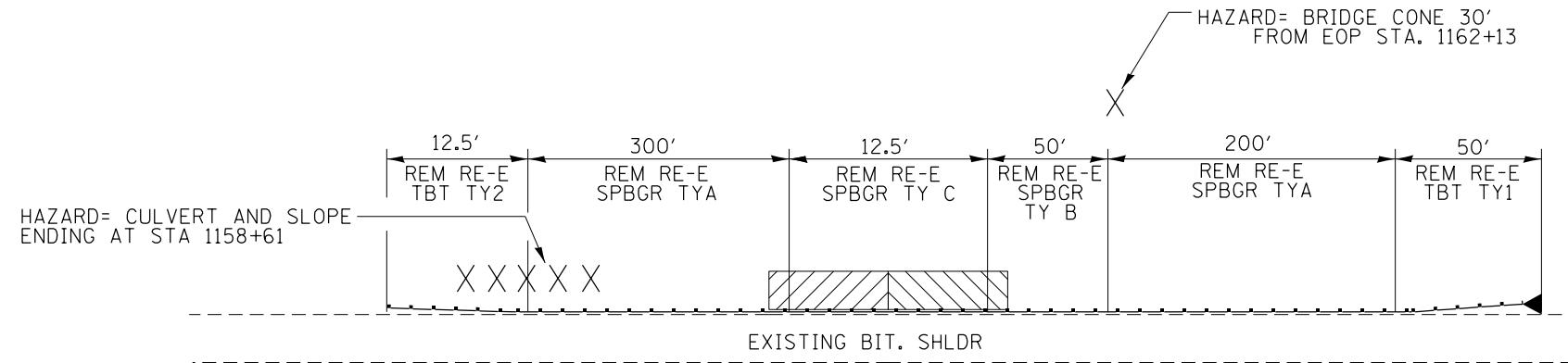
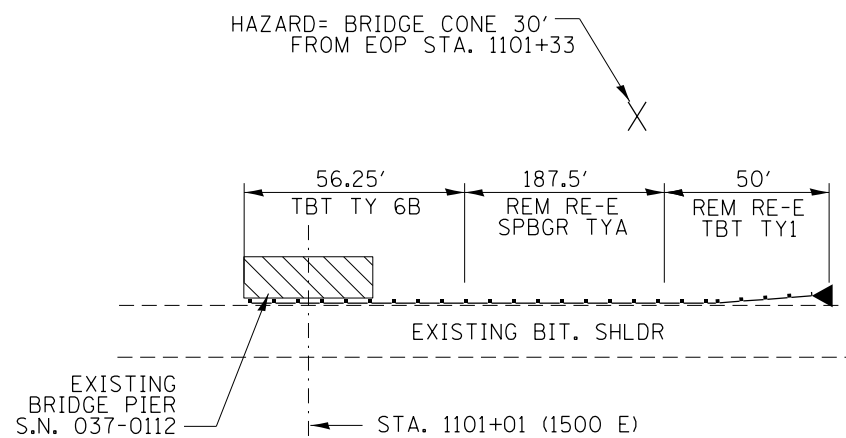


# WESTBOUND GUARDRAIL

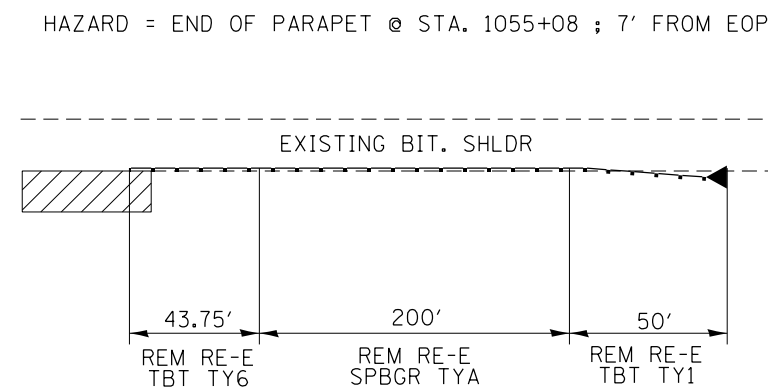
OUTSIDE STA. 1164+73.50 TO STA 1158+48.50



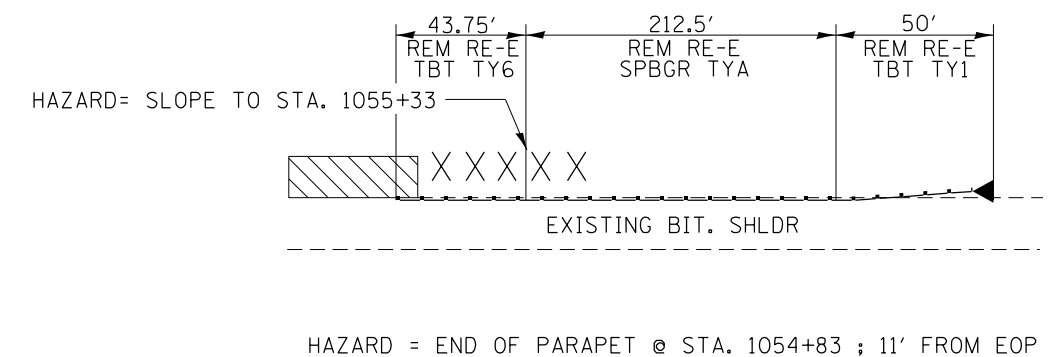
OUTSIDE STA. 1103+90.30 TO STA 1100+96.50



INSIDE STA 1058+01.75 TO STA 1055+08



OUTSIDE STA 1057+89.25 TO STA 1054+83



• (37-4,5,6) RS-2

FILE NAME =	USER NAME = grantpm	DESIGNED -	REVISED -
ca:\pwork\pwork\grantpm\d0310501\0200711-shd-details.dgn		DRAWN -	REVISED -
Default	PLOT SCALE = 100.0000' / in.	CHECKED -	REVISED -
	PLOT DATE = Thu Aug 21 13:19:36 2014	DATE -	REVISED -

STATE OF ILLINOIS  
DEPARTMENT OF TRANSPORTATION

GUARDRAIL DETAILS

SCALE: SHEET OF SHEETS STA. TO STA.

F.A.I. RTE.	SECTION	COUNTY	TOTAL SHEETS	SHEET NO.
80	*	HENRY	80	45
CONTRACT NO. 64064			ILLINOIS FED. AID PROJECT	