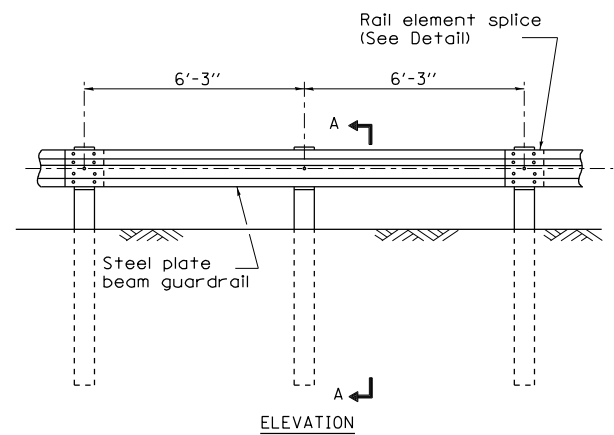
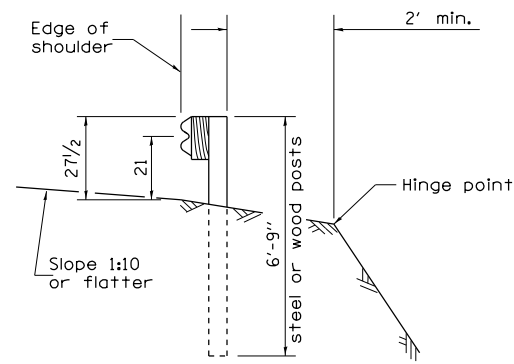


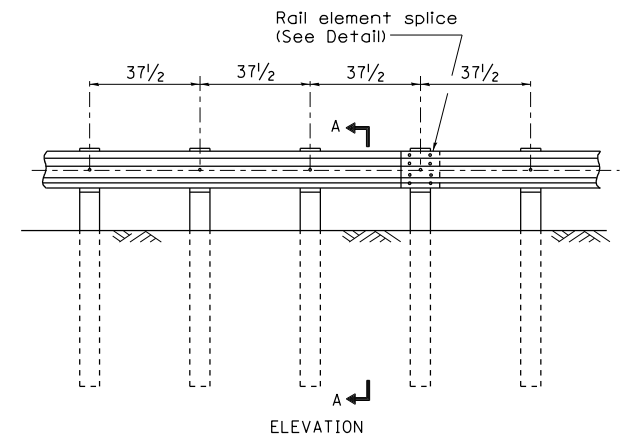
# REMOVE AND REERECT STEEL PLATE BEAM GUARDRAIL



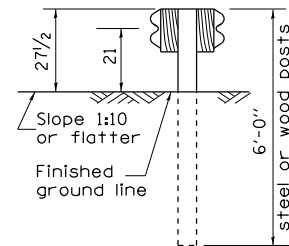
**TYPE A**  
6'-3" Typical post spacing



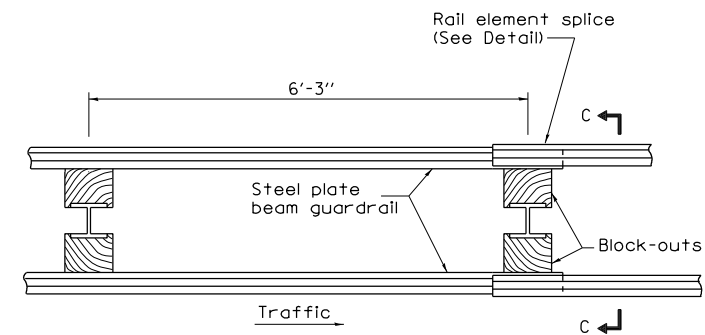
SECTION A-A



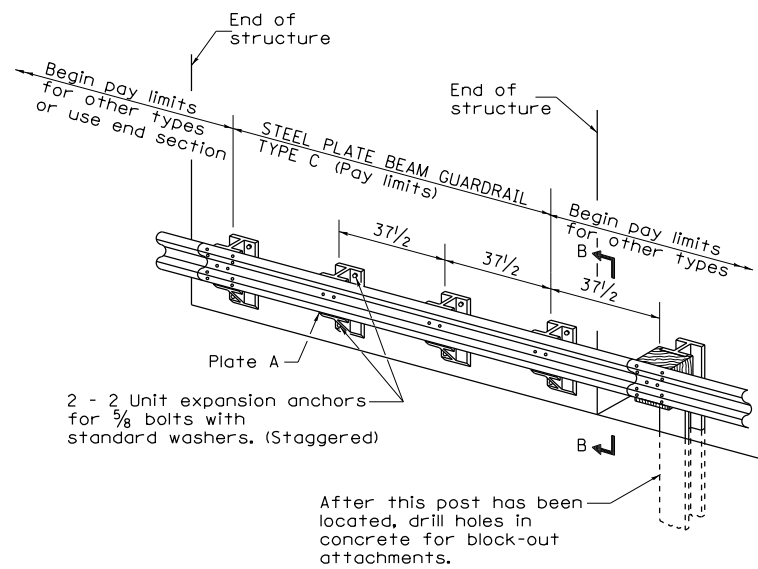
**TYPE B**  
37 1/2 Closed post spacing



SECTION C-C



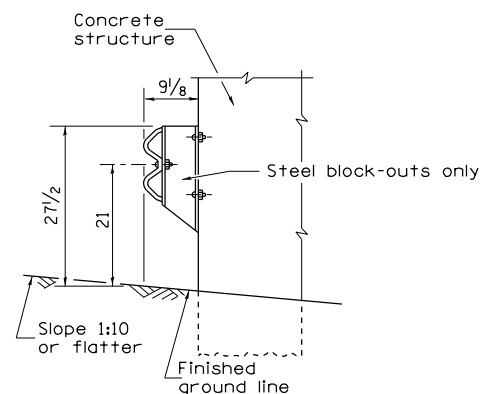
**TYPE D**  
Double steel plate beam guardrail  
6'-3" typical post spacing



**TYPE C**  
37 1/2 Block-out spacing

2 - 2 Unit expansion anchors for 3/8 bolts with standard washers. (Staggered)

After this post has been located, drill holes in concrete for block-out attachments.



SECTION B-B

## GENERAL NOTES

All slope ratios are expressed as units of vertical displacement to units of horizontal displacement (V:H).

All dimensions are in inches unless otherwise shown.

The existing steel posts may be drilled to match the bolt pattern shown herein for the wood block-out, or a new steel post shall be provided.

This detail is applicable to the guardrail system used prior to January 1, 2007. For details on the Midwest Guardrail System, see Standard 630001.

(37-4,5,6) RS-2

FILE NAME =	USER NAME = grantpm	DESIGNED -	REVISED - 10-18-11
c:\pwork\work\pwork\grantpm\d0310501\0200711-shd-details.dgn		DRAWN -	REVISED -
		CHECKED -	REVISED -
		DATE -	REVISED -

STATE OF ILLINOIS  
DEPARTMENT OF TRANSPORTATION

REGION 2 / DISTRICT 2 STANDARD

SCALE: SHEET NO. OF SHEETS STA. TO STA.

F.A.I. RTE.	SECTION	COUNTY	TOTAL SHEETS	SHEET NO.
80	*	HENRY	80	76
FED. ROAD DIST. NO. ILLINOIS FED. AID PROJECT			CONTRACT NO. 64664	