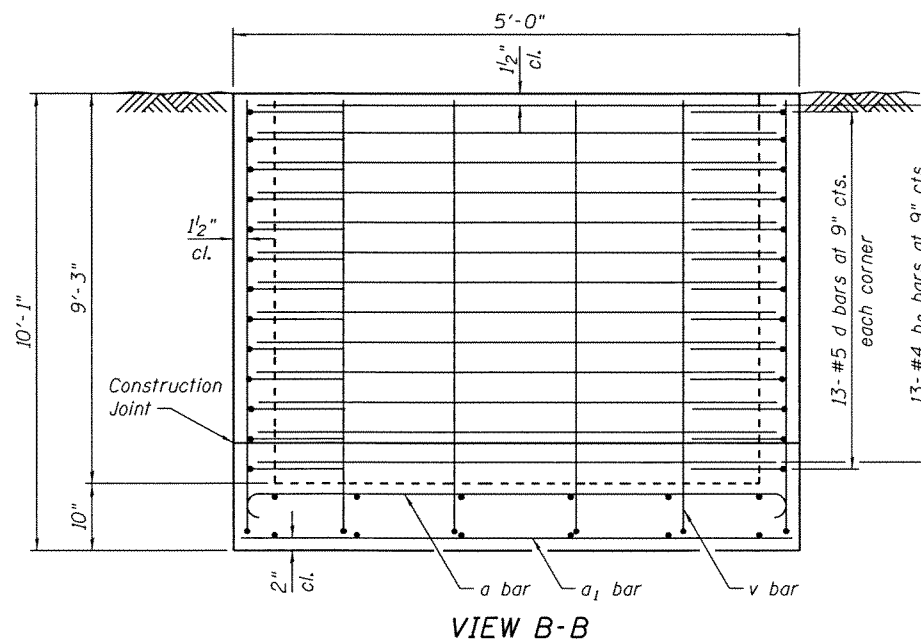
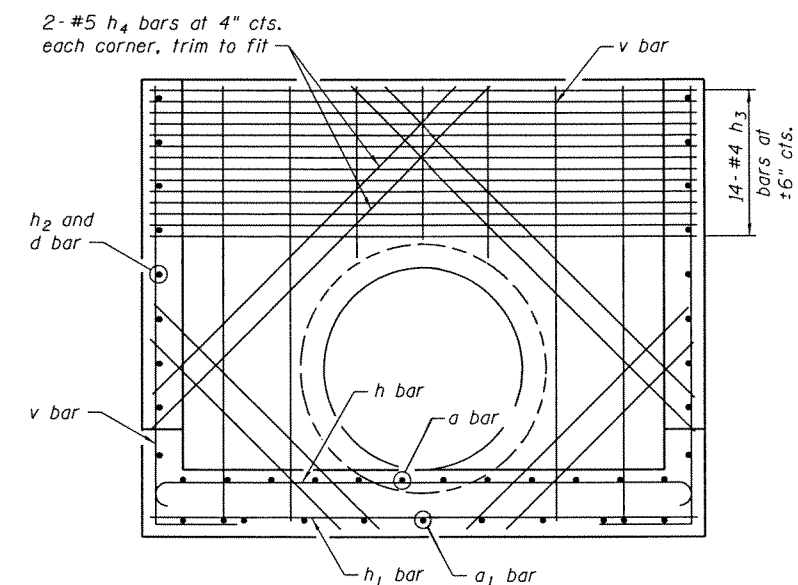


SECTION A-A

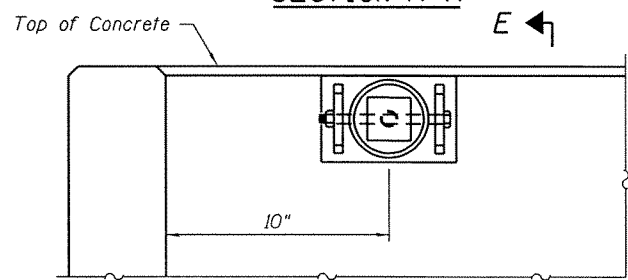


VIEW B-B

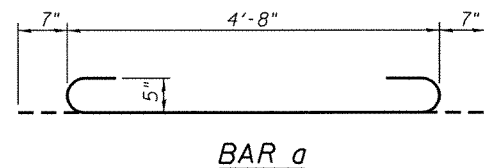


SECTION C-C

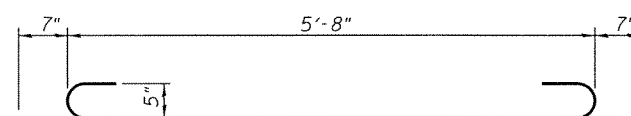
Trim v and h₄ bars around pipe opening



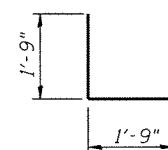
DETAIL A



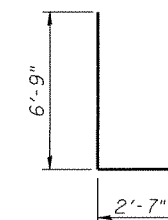
BAR a



BAR h

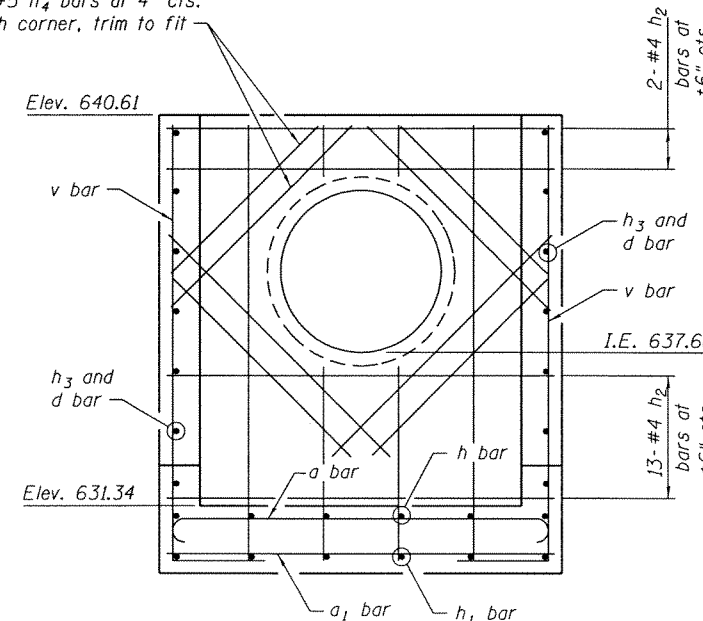


BAR d



BAR v

2- #5 h₄ bars at 4" cts. each corner, trim to fit



SECTION D-D

Trim v and h₄ bars around pipe opening

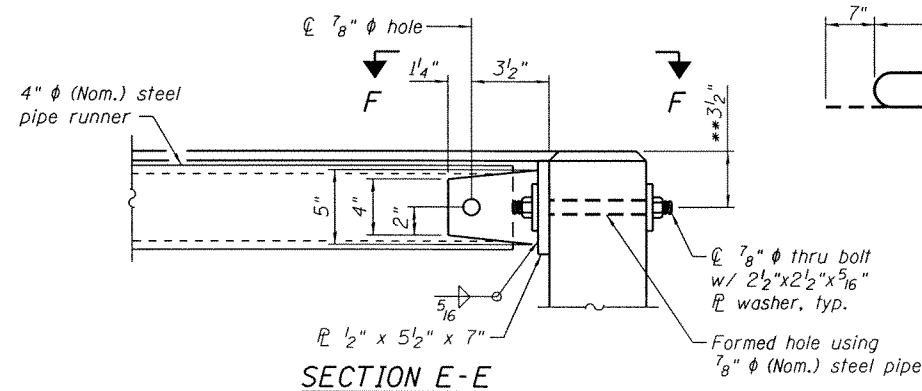
BILL OF MATERIAL

(For Information Only)

Bar	No.	Size	Length	Shape
a	12	#5	5'-10"	
a ₁	9	#5	4'-8"	—
d	52	#4	3'-6"	
h	6	#5	6'-10"	
h ₁	6	#5	5'-8"	—
h ₂	28	#4	4'-8"	—
h ₃	27	#4	5'-8"	—
h ₄	16	#5	10'-6"	—
v	26	#5	13'-4"	
DESCRIPTION		UNIT	QTY.	
Concrete Box Culverts		Cu. Yd.	4.0	
Reinforcement Bars		Pound	1,100	
4" Galv. Steel Pipe		3 @	3'-8"	
Side Assembly		Each	6	

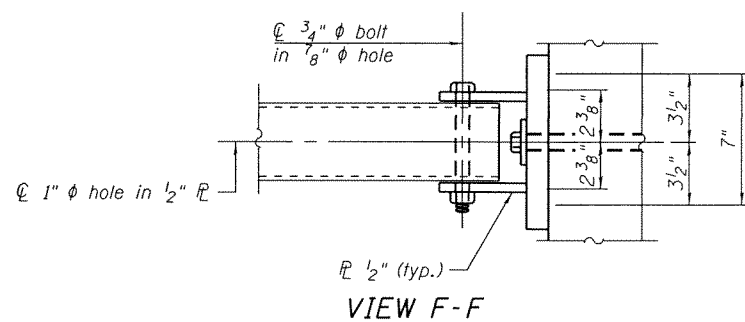
* Included in Drop Box No. 2

** Included in Traversable Pipe Grate with all hardware and steel for Assemblies



SECTION E-E

** Measured perpendicular to top of sidewall. In addition, formed hole shall be located a minimum of 6" measured horizontally from any vertical joints necessary for construction of the culvert extension with drop box



VIEW F-F

FILE NAME = S:\JUL_16300-6399\6346\071\Micro\Structural Sheets\6425_Sheet_04.dgn