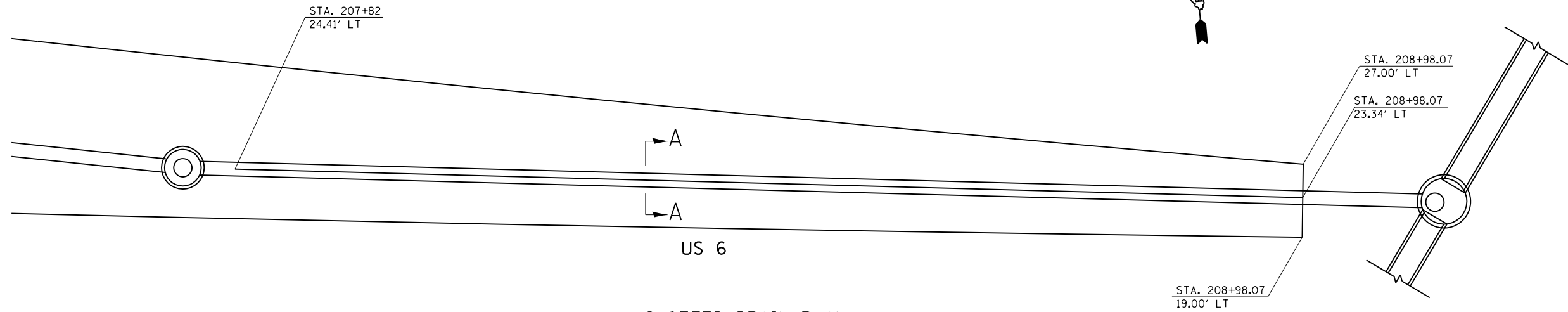
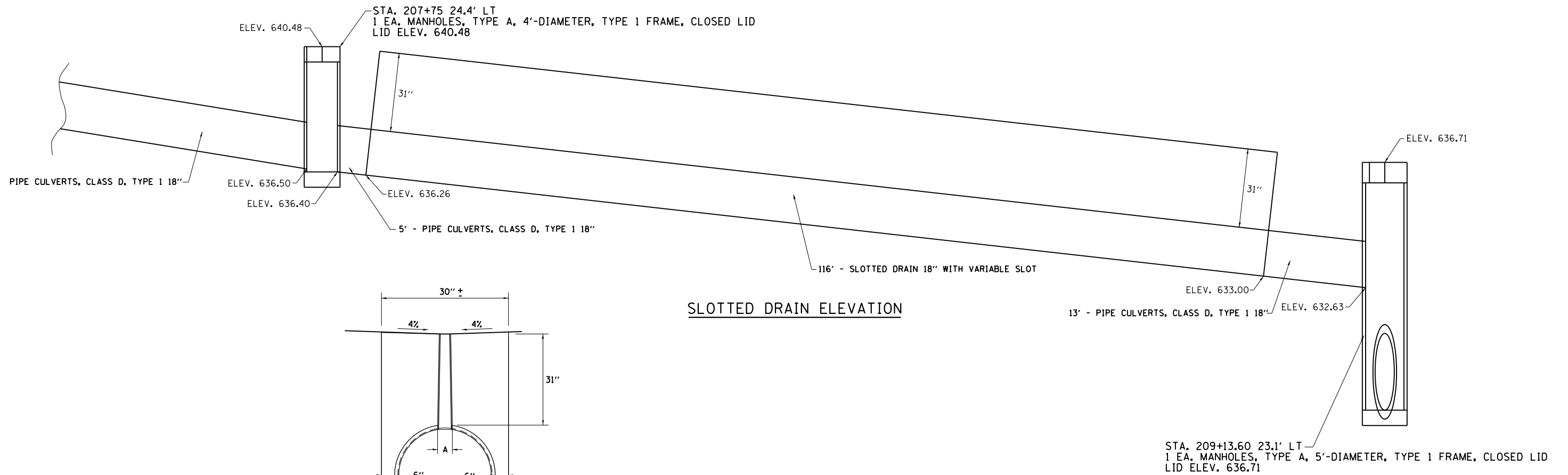


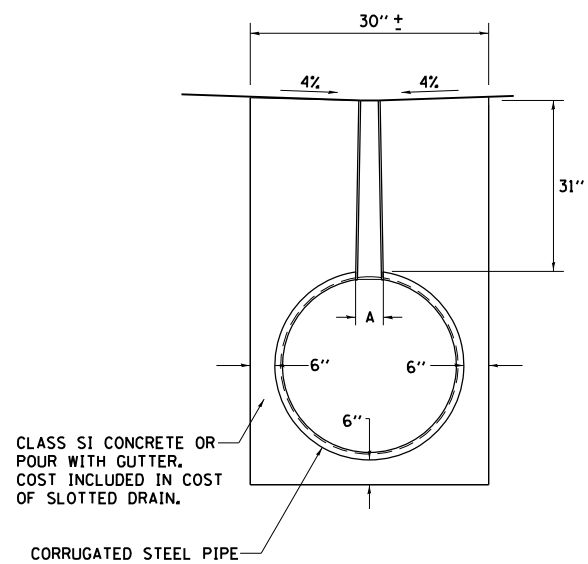
SLOTTED DRAIN DETAIL



SLOTTED DRAIN PLAN



SLOTTED DRAIN ELEVATION



SLOTTED DRAIN SECTION A-A

ALL DIMENSIONS ARE IN INCHES UNLESS OTHERWISE NOTED.

SEE DIST. STD. 15.1 FOR ADDITIONAL DETAILS

FILE NAME =	USER NAME = cushmenbw	DESIGNED -	REVISED -
c:\pwork\pwork\cushmenbw\d0333009\201709-sh1-details.dgn		DRAWN -	REVISED -
Default	PLOT SCALE = 40.0000' / in.	CHECKED -	REVISED -
	PLOT DATE = Fri Aug 01 09:52:01 2014	DATE -	REVISED -

STATE OF ILLINOIS
DEPARTMENT OF TRANSPORTATION

SLOTTED DRAIN DETAIL

SCALE: SHEET OF SHEETS STA. TO STA.

* 5789 & 5861

F.A.U. RTE.	SECTION	COUNTY	TOTAL SHEETS	SHEET NO.
*	2R-1	HENRY	235	96
CONTRACT NO. 64J43			ILLINOIS FED. AID PROJECT	