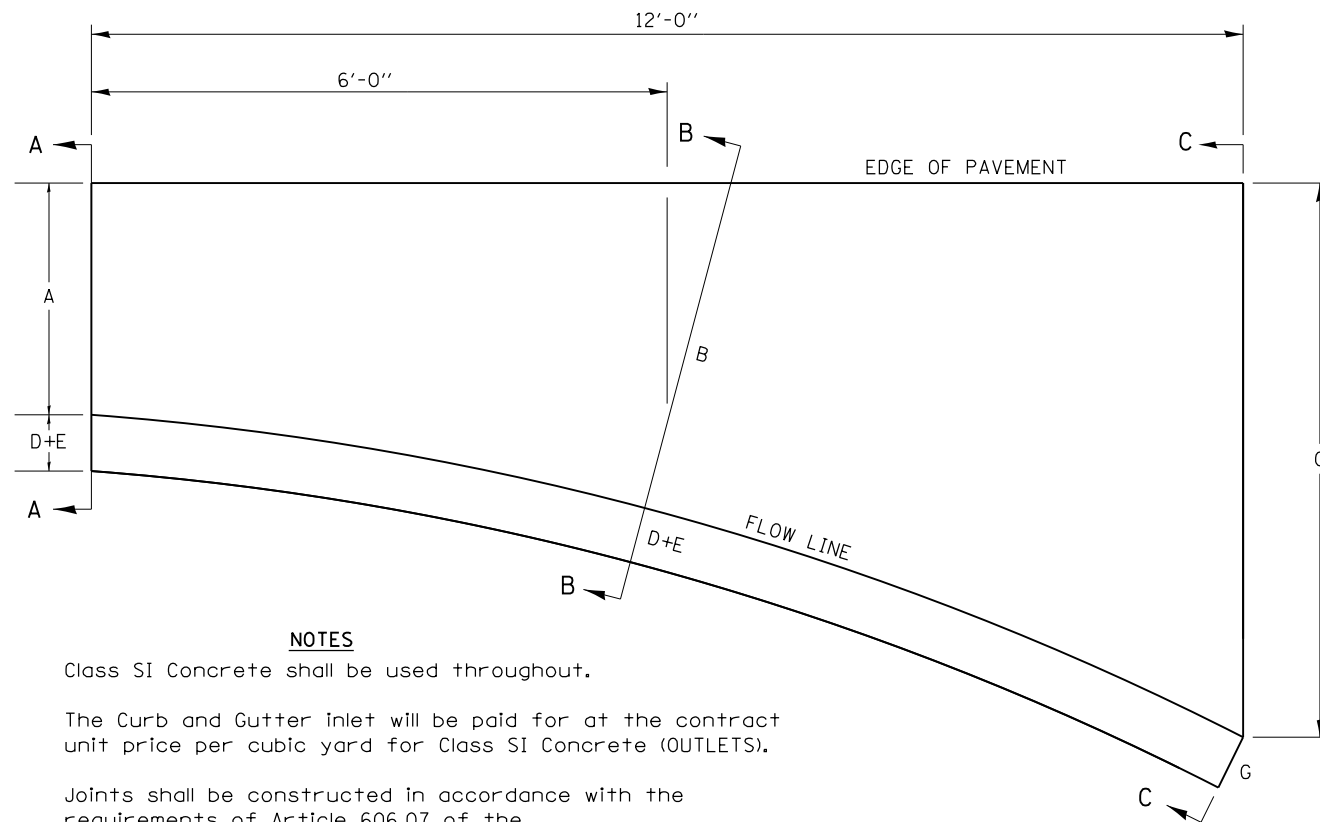


# STANDARD INLET FOR CURB & GUTTER



### NOTES

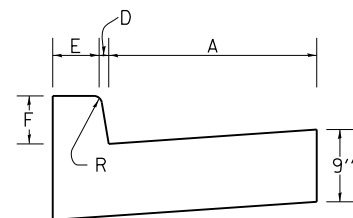
Class SI Concrete shall be used throughout.

The Curb and Gutter inlet will be paid for at the contract unit price per cubic yard for Class SI Concrete (OUTLETS).

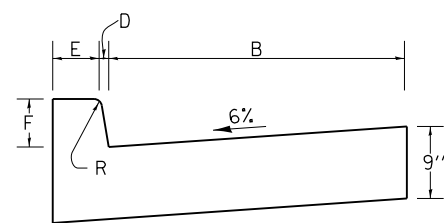
Joints shall be constructed in accordance with the requirements of Article 606.07 of the Standard Specifications.

When curb and gutter is constructed adjacent to flexible pavement, a 1" expansion joint shall be installed at construction joints.

All dimensions are in inches unless otherwise noted.

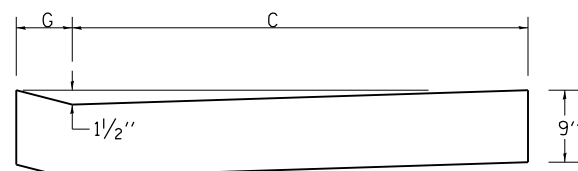


SECTION A-A



SECTION B-B

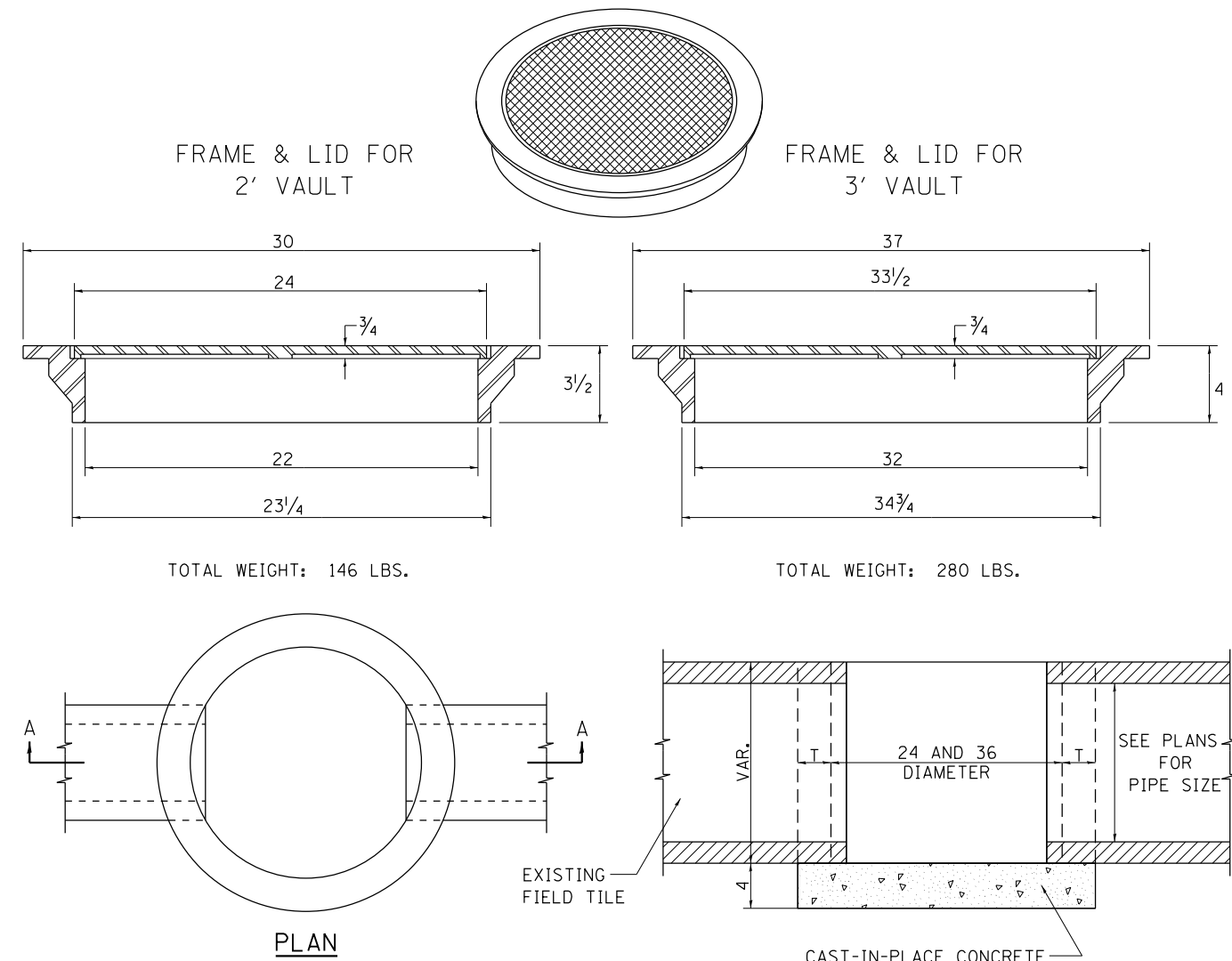
| TYPE OF CURB & GUTTER | TABLE OF DIMENSIONS |       |       |   |   |   |   |   | CONCRETE QUANTITY A-A TO C-C (CU YDS) |
|-----------------------|---------------------|-------|-------|---|---|---|---|---|---------------------------------------|
|                       | A                   | B     | C     | D | E | F | G | R |                                       |
| B-6.06                | 6                   | 15    | 4'    | 1 | 6 | 6 | 7 | 1 | 0.87                                  |
| B-6.12                | 12                  | 18.25 | 4'    | 1 | 6 | 6 | 7 | 1 | 0.95                                  |
| B-6.18                | 18                  | 27.25 | 4' 9" | 1 | 6 | 6 | 7 | 1 | 1.18                                  |
| B-6.24                | 24                  | 32.4  | 4' 9" | 1 | 6 | 6 | 7 | 1 | 1.30                                  |
| M-4.12                | 12                  | 18.25 | 4'    | 4 | 3 | 4 | 7 | 3 | 0.91                                  |
| M-4.18                | 18                  | 27.25 | 4' 9" | 4 | 3 | 4 | 7 | 3 | 1.14                                  |
| M-4.24                | 24                  | 32.4  | 4' 9" | 4 | 3 | 4 | 7 | 3 | 1.25                                  |
| M-6.12                | 12                  | 18.25 | 4'    | 6 | 2 | 6 | 8 | 2 | 0.96                                  |
| M-6.18                | 18                  | 27.25 | 4' 9" | 6 | 2 | 6 | 8 | 2 | 1.20                                  |
| M-6.24                | 24                  | 32.4  | 4' 9" | 6 | 2 | 6 | 8 | 2 | 1.30                                  |



SECTION C-C

REVISED - 8-27-13  
REVISED - 10-10-06

# FIELD TILE JUNCTION VAULTS 2' AND 3' DIA.



TOTAL WEIGHT: 146 LBS.

TOTAL WEIGHT: 280 LBS.

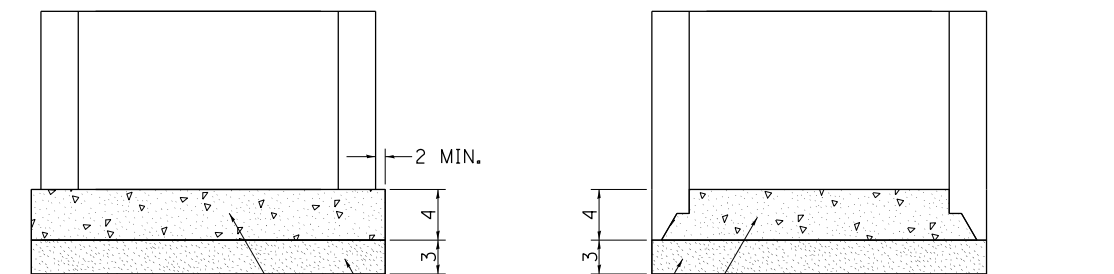
PLAN

SECTION A-A

| ALTERNATE MATERIALS FOR WALLS       | T |
|-------------------------------------|---|
| BRICK MASONRY                       | 8 |
| CAST-IN-PLACE CONCRETE              | 6 |
| CONCRETE MASONRY UNIT               | 5 |
| PRECAST REINFORCED CONCRETE SECTION | 3 |

NOTE: THE FRAME AND LID IS REQUIRED ON ALL JUNCTION VAULTS.

ALL DIMENSIONS ARE IN INCHES UNLESS OTHERWISE NOTED.



PRECAST REINFORCED CONCRETE SLAB

SAND CUSHION

PREFABRICATED CONCRETE SLAB, WHEN THE PRECAST REINFORCED CONCRETE SECTION ALTERNATE IS USED.

ALTERNATE METHODS

\* 5789 & 5861

REVISED - 6-27-14  
REVISED - 10-14-11  
REVISED -  
REVISED -

REGION 2 / DISTRICT 2 STANDARD

SCALE: 40.0000' / 1" SHEET NO. OF SHEETS STA. TO STA.

| F.A.U. R.T.E.      | SECTION | COUNTY | TOTAL SHEETS | SHEET NO. |
|--------------------|---------|--------|--------------|-----------|
| *                  | 2R-1    | HENRY  | 235          | 100       |
| CONTRACT NO. 64J43 |         |        |              |           |

FED. ROAD DIST. NO. ILLINOIS FED. AID PROJECT