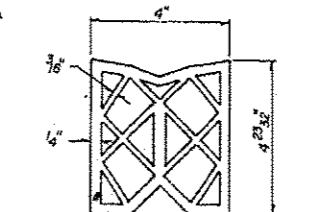
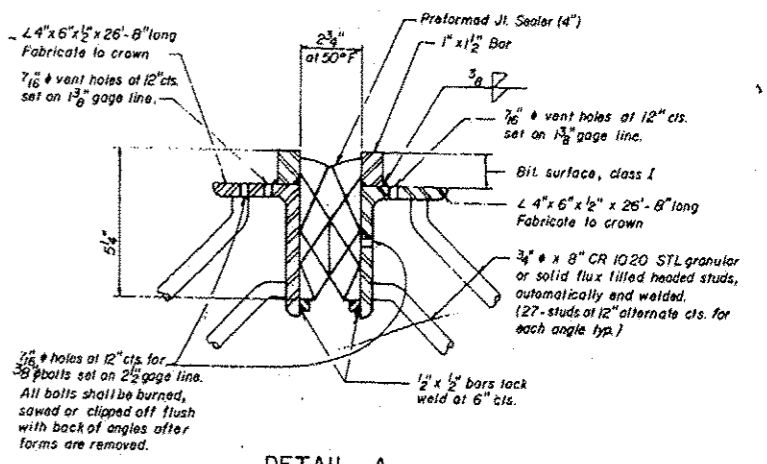
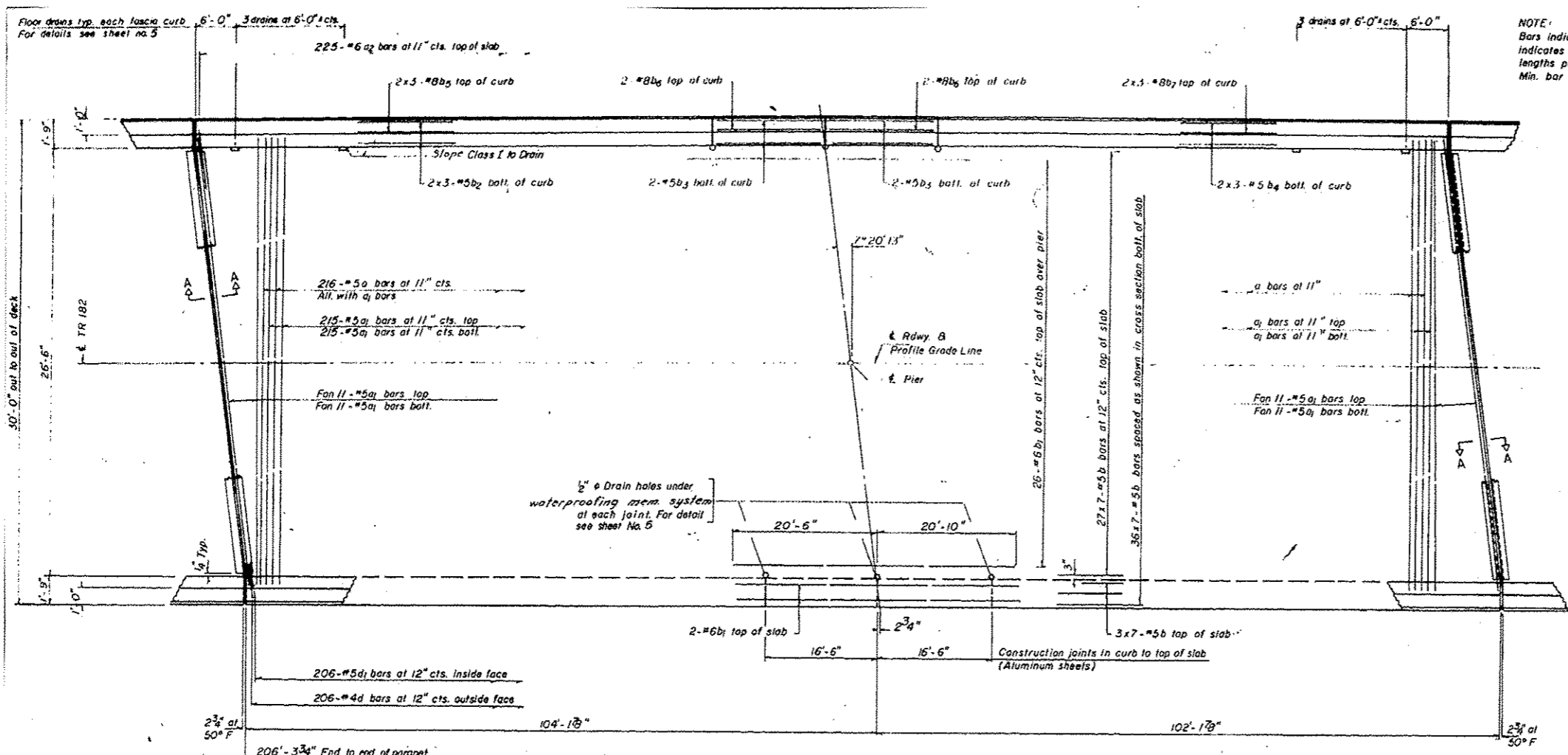


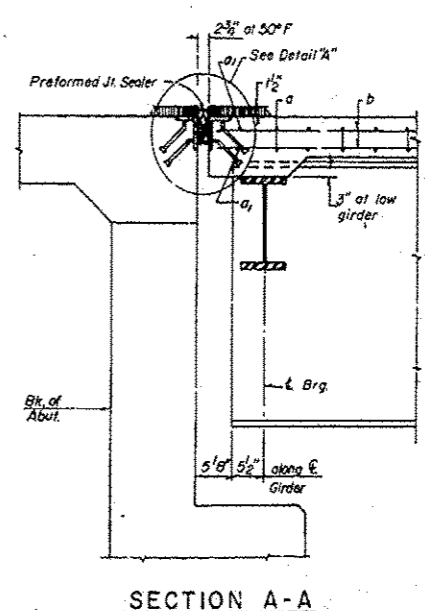
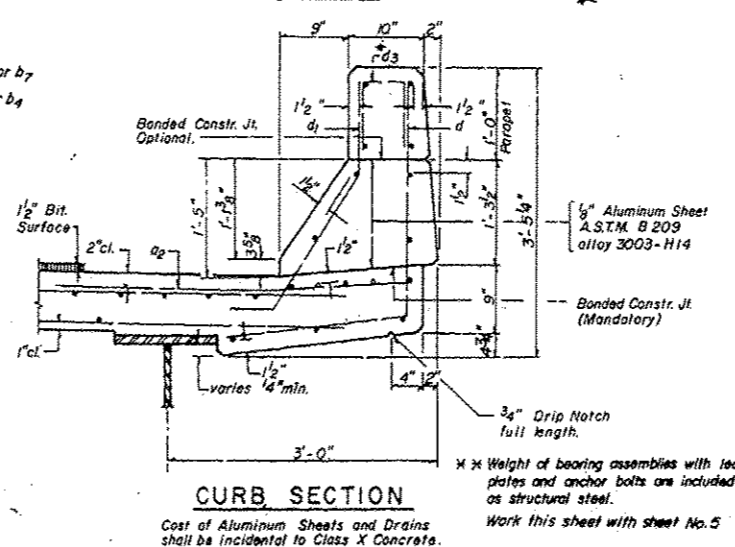
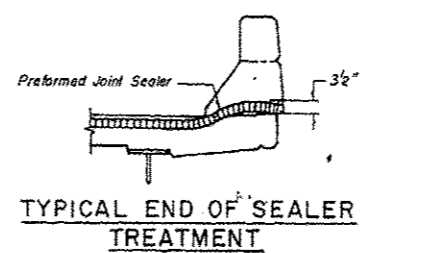
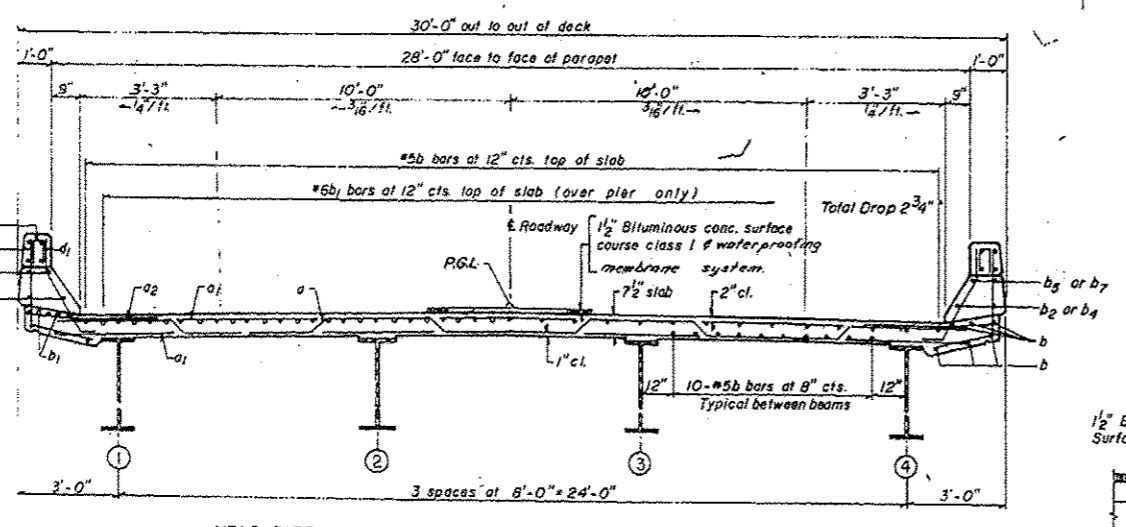
NOTE:
 Bars indicated thus 27 x 7 - #5 etc
 indicates 27 lines of bars with 7
 lengths per line.
 Min. bar laps = 24 dia.



BILL OF MATERIAL

BAR	NO.	SIZE	LENGTH	SHAPE	
a	216	#5	29'-0"		
a ₁	476	#5	28'-0"		
a ₂	450	#6	4'-0"		
b	483	#5	30'-6"		
b ₁	30	#6	41'-4"		
b ₂	12	#5	29'-11"		
b ₃	8	#5	16'-3"		
b ₄	12	#5	29'-3"		
b ₅	12	#8	30'-5"		
b ₆	8	#8	16'-3"		
b ₇	12	#8	29'-9"		
d	412	#4	4'-2"		
d ₁	412	#5	3'-5"		
				Reinforcement Bars	Lbs. 46,250
				Class X Concrete	Cu. Yds. 192.6
				Structural Steel	Lbs. 150830
				Protective Coat	Sq. Yds. 460.0
				Bituminous Concrete Surface Course Class I	Tons 51
				Waterproofing Membrane System	Sq. Yds. 608.0
				Preformed Jt. Sealer 4"	Lin. Ft. 61

* Parapet Reinforcement and class X Concrete are
 billed on SH. No. 5



DECK DETAILS
 FA 403 SECTION 161-1HB-1
 FA 403 UNDER TR 182
 ROCK ISLAND COUNTY
 STATION 320+64.69

FOR INFORMATION ONLY

DESIGNED P.B.
 CHECKED A.A.
 DRAWN G.G.
 CHECKED A.A.

FILE NAME: D:\BRN\Draws\Rock Island\64K16 Cleaning &
 USER NAME: t.dosidd
 DESIGNED: -
 REVISIONS: -
 DRAWN: -
 CHECKED: -
 PLOT SCALE: 1/8" = 1'-0"
 PLOT DATE: Wed Aug 05 11:08:22 2014
 DATE: -
 REVISED: -

STATE OF ILLINOIS
 DEPARTMENT OF TRANSPORTATION

EXISTING PLANS
 SN 081-0120

F.A.I. SECTION COUNTY TOTAL SHEETS SHEET NO.
 RTE. 88 D2 BRIDGE PAINTING 2015-1 ROCK ISLAND 17 13
 CONTRACT NO. 64K16
 ILLINOIS FED. AID PROJECT

SCALE: SHEET OF SHEETS STA. TO STA.