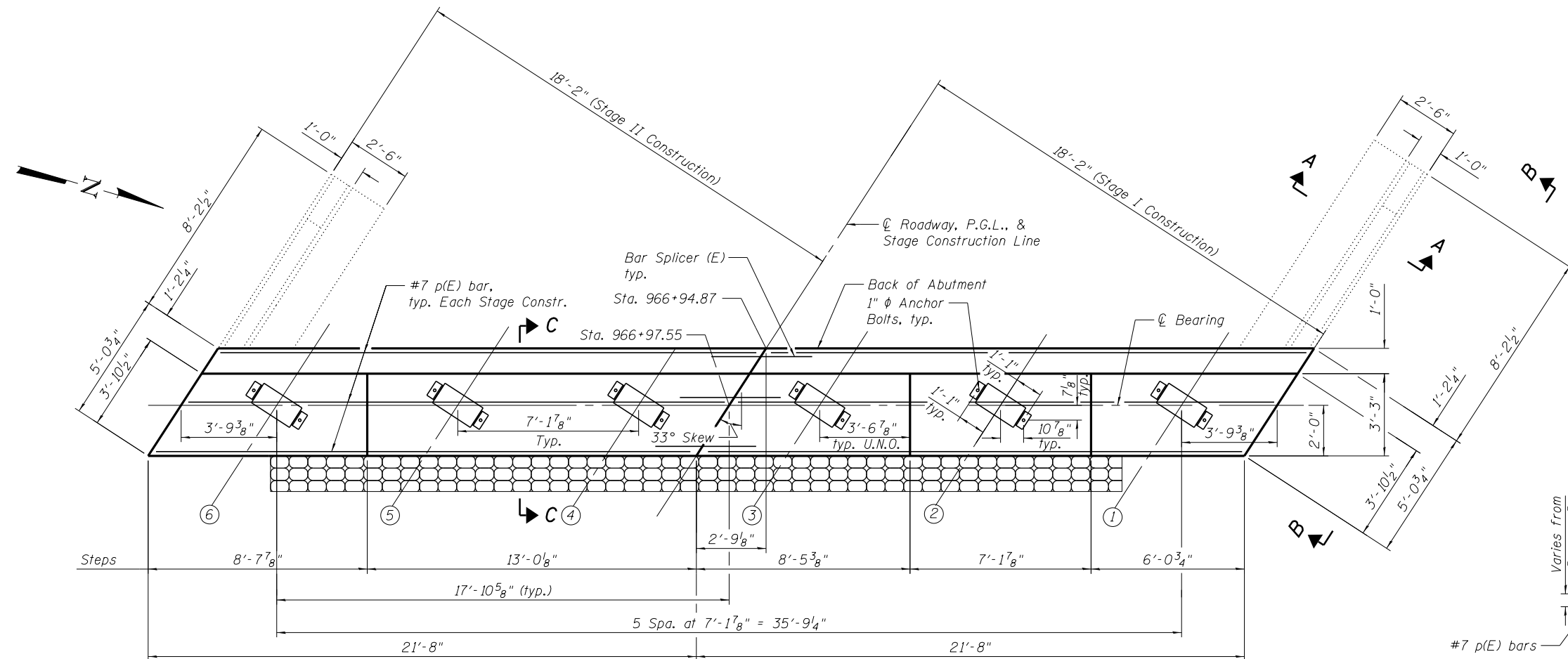


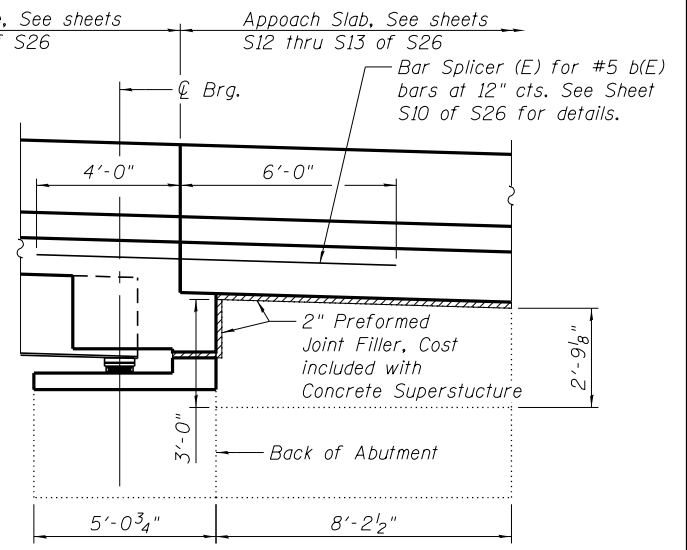
ELEVATION



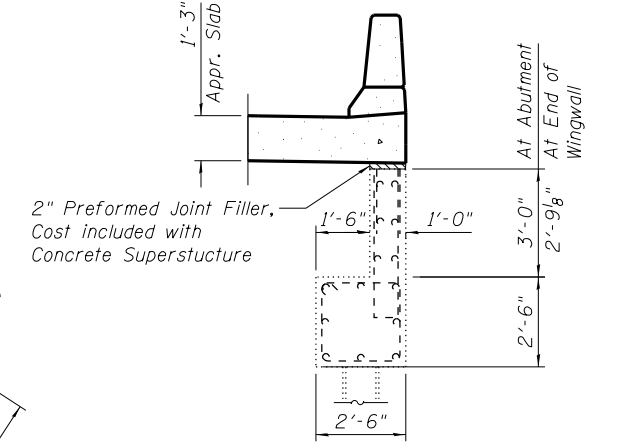
PLAN

BILL OF MATERIAL

Bar	No.	Size	Length	Shape
p(E)	6	#7	21'-4"	
Concrete Structures			Cu. Yd.	4.5
Structure Excavation			Cu. Yd.	48
Fabric Formed Concrete Revetment Mat			Sq. Yd.	14
Reinforcement Bars, Epoxy Coated			Pound	270

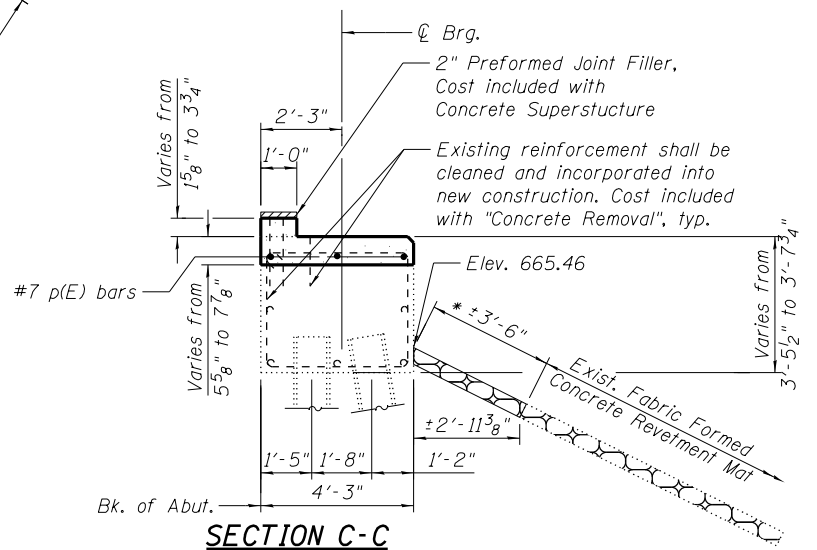


VIEW B-B



SECTION A-A

(Horiz. dim. @ Rt. L's)



SECTION C-C

(Horiz. dim. @ Rt. L's)

* New Fabric Formed Concrete Revetment Mat shall be placed against Existing Fabric Formed Concrete Revetment Mat. Prior to placing New Revetment Mat, Existing Revetment Mat surface shall be cleaned of debris and soil build up. Cost included with Fabric Formed Concrete Revetment Mat.



USER NAME = carpenter_dj	DESIGNED - KO	REVISED
	CHECKED - BCM	REVISED
PLOT SCALE = N/A	DRAWN - KO	REVISED
PLOT DATE = 8/1/2014	CHECKED - 7/31/2012	REVISED

**STATE OF ILLINOIS
DEPARTMENT OF TRANSPORTATION**

**REPAIR DETAILS FOR WEST ABUTMENT
STRUCTURE NO. 006-0140**

SHEET NO. S18 OF S26 SHEETS

F.A.P. RTE. 613	SECTION (8D-BR) BR	COUNTY BUREAU	TOTAL SHEETS 63	SHEET NO. 40
CONTRACT NO. 66A17			ILLINOIS FED. AID PROJECT	