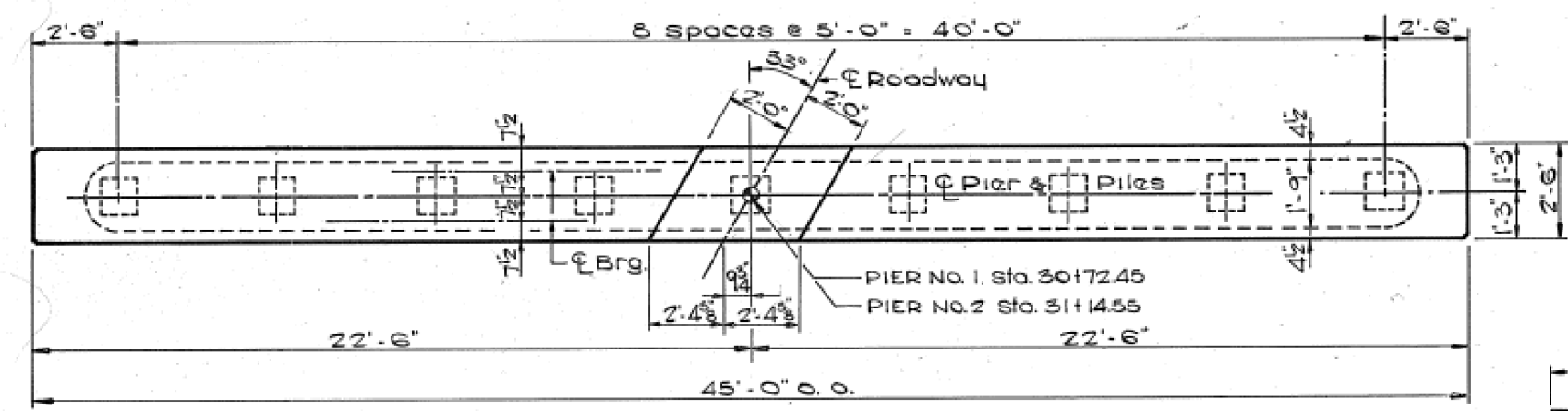
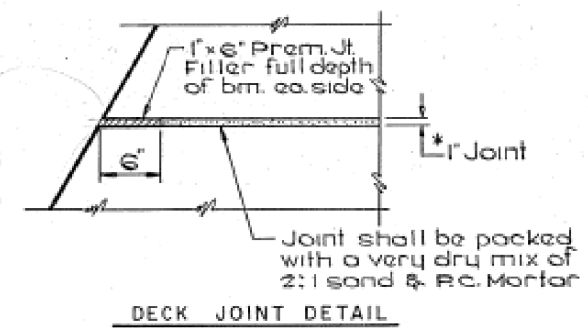


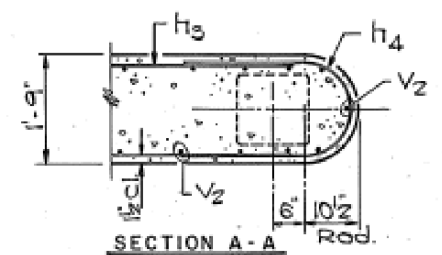
* 1' dimension may vary plus or minus to accommodate tolerance in beam lengths.



PLAN VIEW



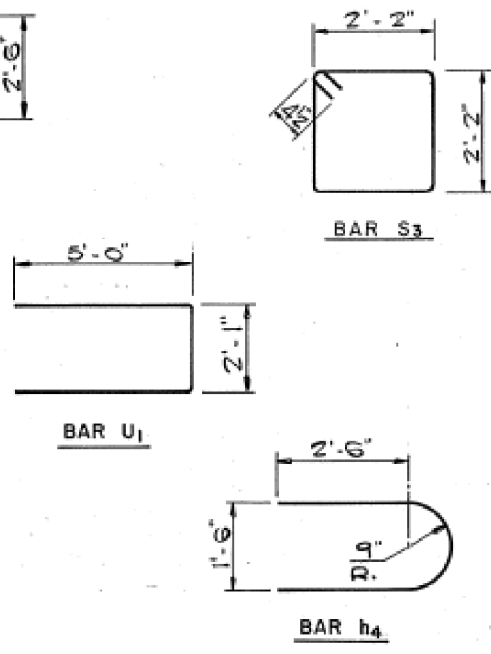
DECK JOINT DETAIL



SECTION A-A

PILE DATA

TYPE Concrete 14"φ
 CAPACITY 40 Ton
 LENGTH PIER 1 46 Ft.
 PIER 2 46 Ft.
 NO. REQ'D. PIER 1 - 9
 PIER 2 - 8 + 1 Test Pile



BILL OF MATERIAL - 2 PIERS

BAR	NO.	SIZE	LENGTH	SHAPE
h3	64	#5	22'-0"	—
h4	64	#5	7'-5"	⊔
P2	24	#7	25'-0"	—
S3	92	#4	9'-5"	⊔
U1	16	#6	12'-1"	⊔
V2	176	#5	16'-6"	—
Class X Concrete CU Yds.				93.9
Reinforcement Bars Lb.				7090
Concrete Piles Lin. Ft.				782
Test Pile (Concrete) EA				1
Structure Excavation cu.				60

PIERS 1 & 2
 SECTION 8D - BR
 US RT 6 FAS RT 2246
 BUREAU COUNTY