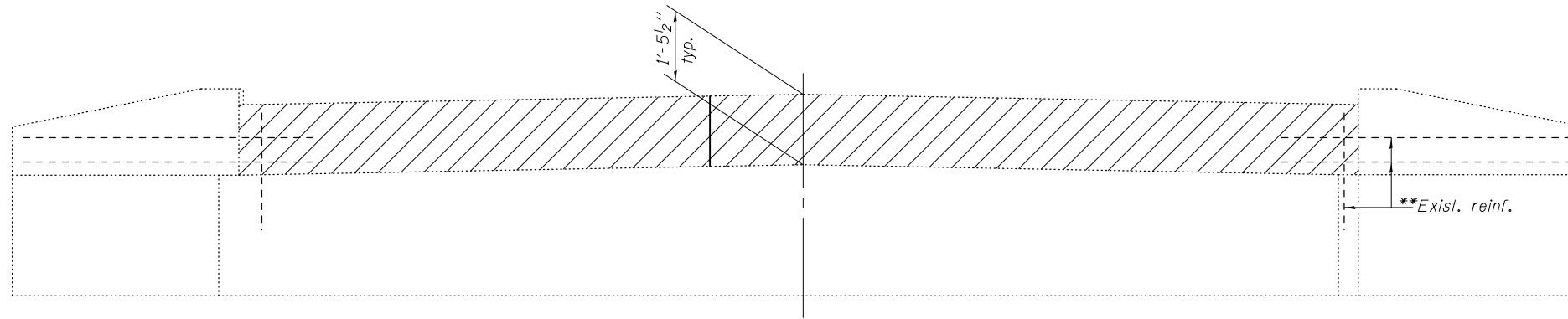
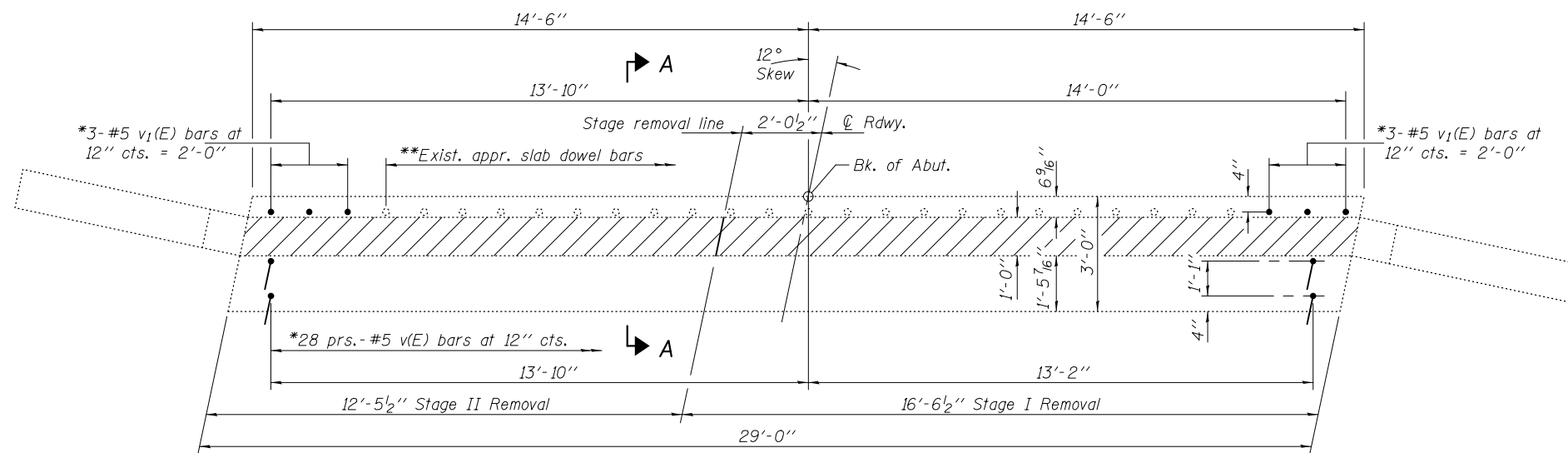
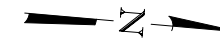


*Spacing shown is intended to miss locations of exist. stirrup bars. Adjust in field as needed. Epoxy grout according to Section 584 of the Standard Specifications.
 **Existing reinforcement shall be cleaned and incorporated into new construction. Cost included in Concrete Removal.

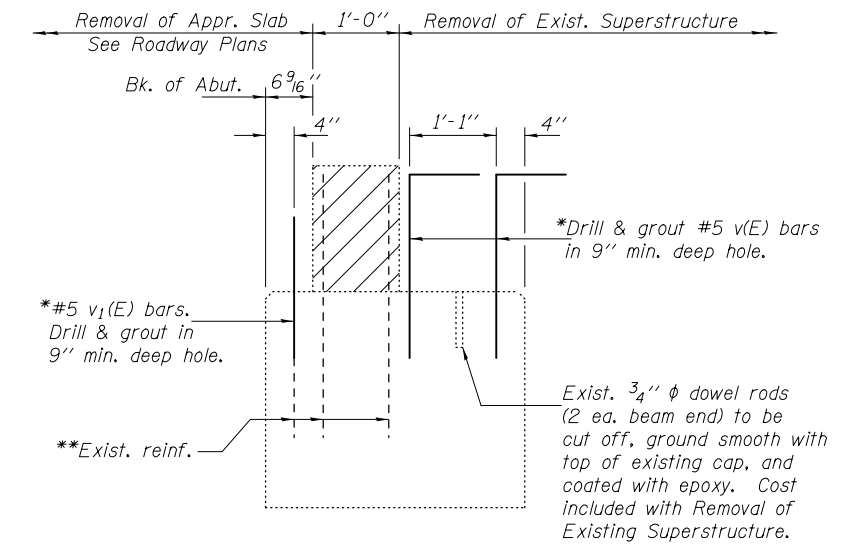


ELEVATION - WEST ABUTMENT
 (Looking West - East Abut. similar)



PLAN

LEGEND

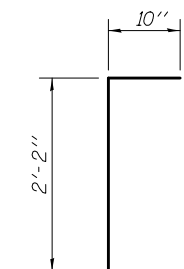


SECTION A-A

Horizontal dimensions are at right L's

**TWO ABUTMENTS
 BILL OF MATERIAL**

Bar	No.	Size	Length	Shape
v(E)	112	#5	3'-0"	
v1(E)	12	#5	1'-9"	
Concrete Removal			Cu. Yd.	3.1
Reinforcement Bars, Epoxy Coated			Pound	370



BAR v(E)

DESIGNED - Paul S. Johnson
 CHECKED - Zachary T. Bulva
 DRAWN - h.t. duong
 CHECKED - PSJ/ZTB

EXAMINED
 PASSED
 ACTING ENGINEER OF BRIDGES AND STRUCTURES

DATE - OCTOBER 16, 2014
 REVISED
 REVISED

**STATE OF ILLINOIS
 DEPARTMENT OF TRANSPORTATION**

**EXISTING ABUTMENT DETAILS
 STRUCTURE NO. 053-0157**

SHEET NO. 13 OF 18 SHEETS

F.A.S. RTE.	SECTION	COUNTY	TOTAL SHEETS	SHEET NO.
370	(102BR)BR	LIVINGSTON	65	34
ILLINOIS FED. AID PROJECT			CONTRACT NO. 66A18	