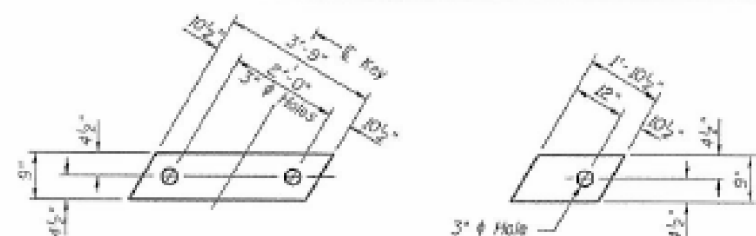
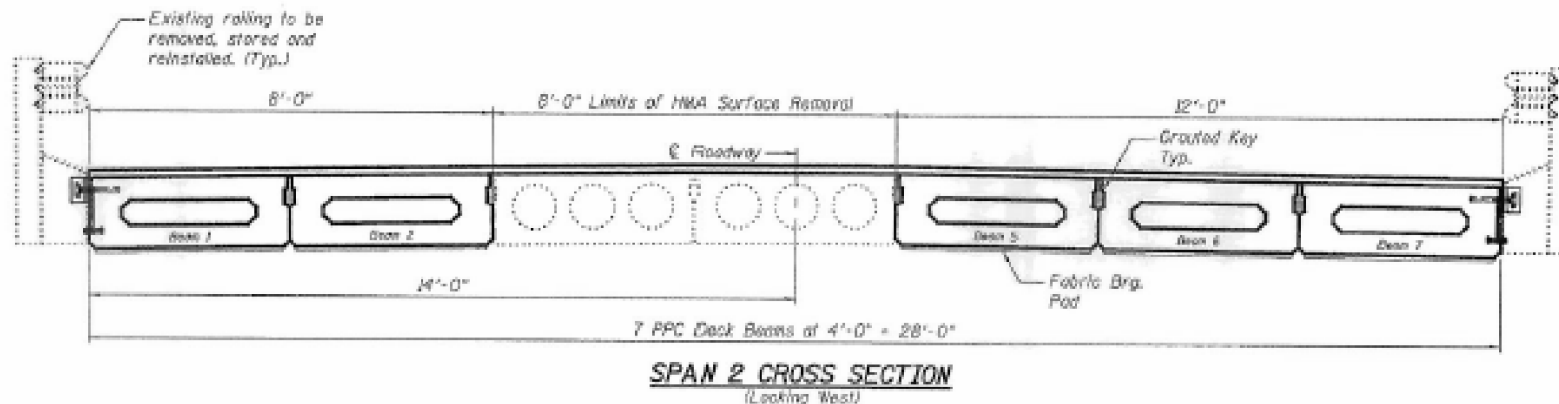


STATE OF ILLINOIS DEPARTMENT OF TRANSPORTATION FOR INFORMATION ONLY

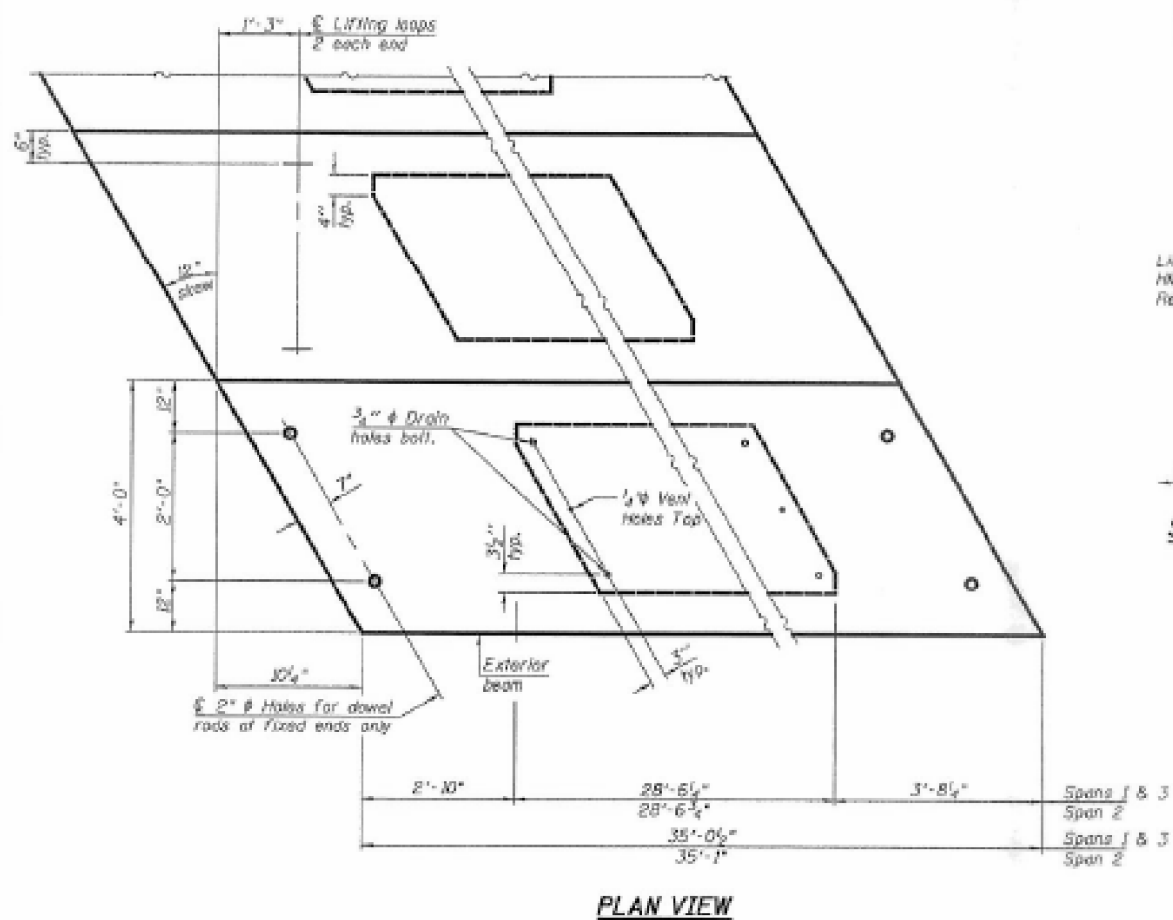
PROJECT NO.	SECTION	COUNTY	SHEET NO.	TOTAL SHEETS
FAS 370	(102 BR)BR	LIVINGSTON	13	12
Contract Number: 66814				



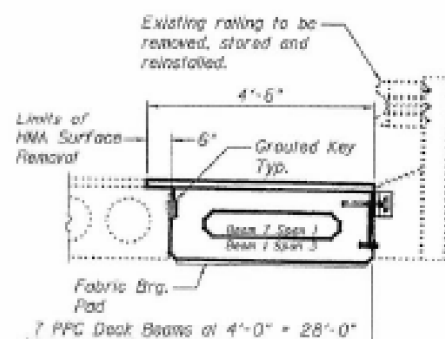
FABRIC BEARING PAD FABRIC ADJUSTING PAD
FIXED



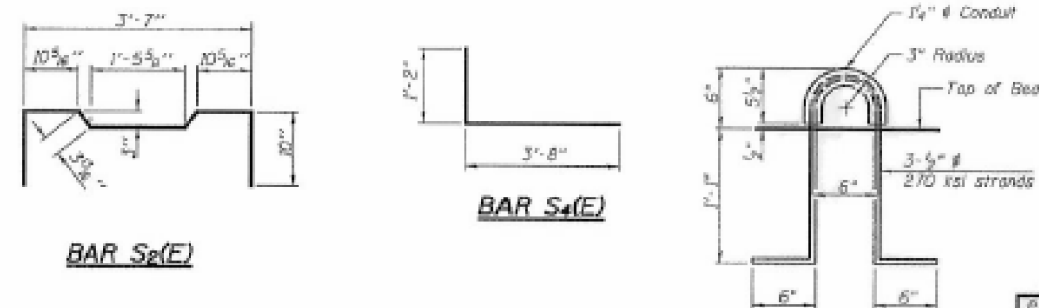
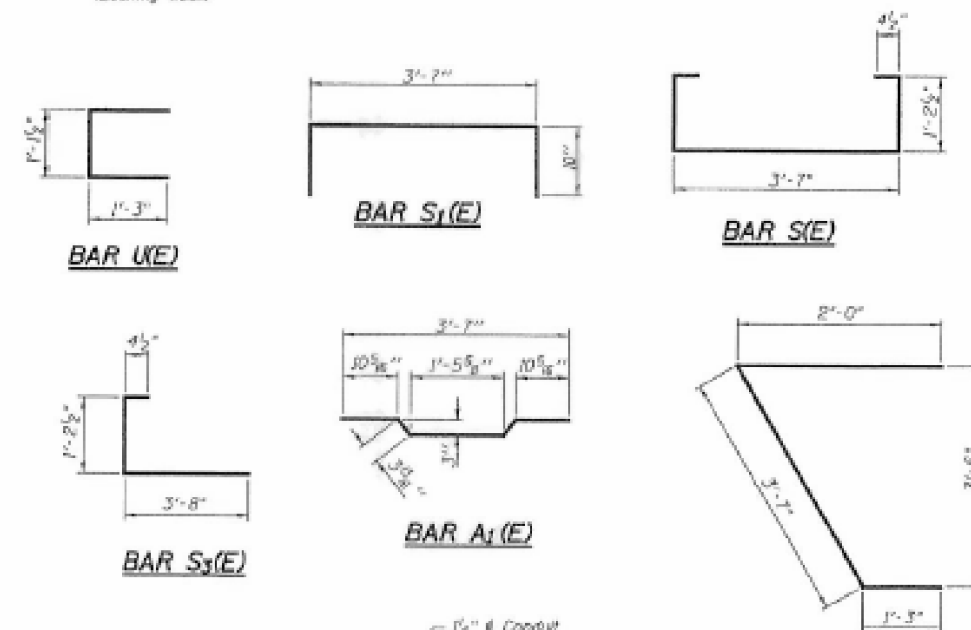
SPAN 2 CROSS SECTION (Looking West)



PLAN VIEW



SPAN 1 AND SPAN 3 CROSS SECTION (Span 1 Looking West) (Span 3 Looking East)



LIFTING LOOP DETAIL

BILL OF MATERIAL

Precast Prestressed Conc. Deck Bms. (17" depth)	Sq. Ft.	882.0
---	---------	-------

NOTES

Prestressing steel shall be uncoated high strength, low relaxation 7-wire strand, Grade 270. The nominal diameter shall be 1/2" and the nominal cross-sectional area shall be 0.153 sq. in. Reinforcement bars shall conform to ASTM A 706 (IL MOD), Grade 60. (See Special Provisions) Two 1/2" fabric adjusting shims of the dimensions shown shall be provided for each bearing pad location. A minimum 2 1/2" # lifting pin shall be used to engage the lifting loops during handling. Corrosion Inhibitor, per Article 1020.05(b)(12) and 1021.06 of the Standard Specifications, shall be used in the concrete for precast prestressed concrete deck beams. Compressive strength of prestressed concrete, f'c, shall be 6000 psi. Compressive strength of prestressed concrete at release, f'cl, shall be 5000 psi.

BEAM DETAILS
F.A.S. RT. 370
LIVINGSTON COUNTY
SN 053-0157

DESIGNED	A.J.B.
CHECKED	V.H.V.
DRAWN	Drew Christopher
CHECKED	A.J.B. V.H.V.

May 9, 2008
EXAMINED
PARTICULAR OF CONTRACT DOCUMENTS
MEMBER OF BRIDGE AND STRUCTURE

PD-1748-RD 8-29-07

SLT-93-001-08

FILE NAME	USER NAME	DESIGNED	REVISED
ci:\pwwork\pwwork\schwenger\d0179226\066A18-existing-bridge-plans.dgn	Schwenger	-	-
PLOT SCALE = 100.0000 / in.	CHECKED	-	-
PLOT DATE = 8/14/2014	DATE	-	-

STATE OF ILLINOIS DEPARTMENT OF TRANSPORTATION

EXISTING STRUCTURE PLANS

SCALE: SHEET NO. OF SHEETS STA. TO STA.

F.A.S. RT.	SECTION	COUNTY	TOTAL SHEETS	SHEET NO.
370	(102 BR)BR	LIVINGSTON	65	51
CONTRACT NO. 66A18				

ILLINOIS FED. AID PROJECT

... \deck_beams_fy08\0530157.dgn 5/9/2008 11:25:28 AM