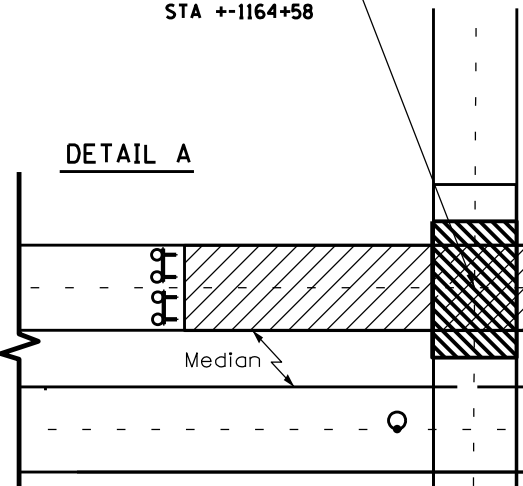
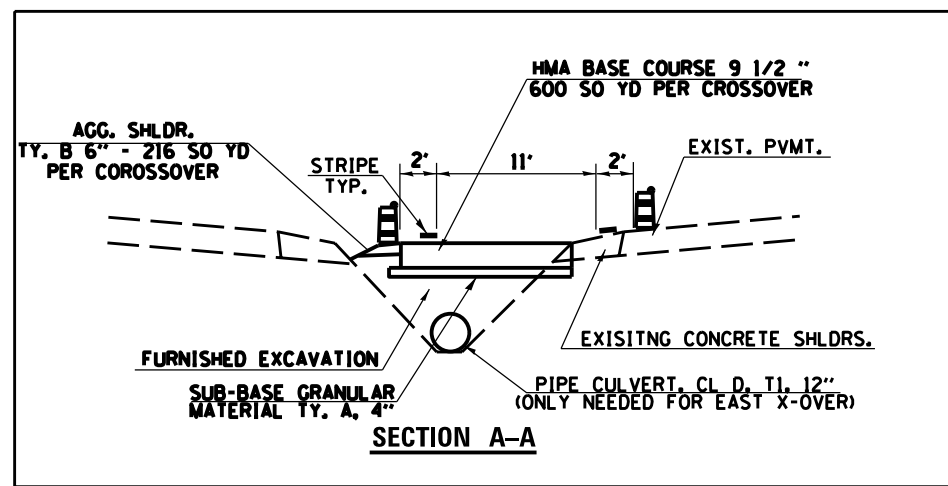
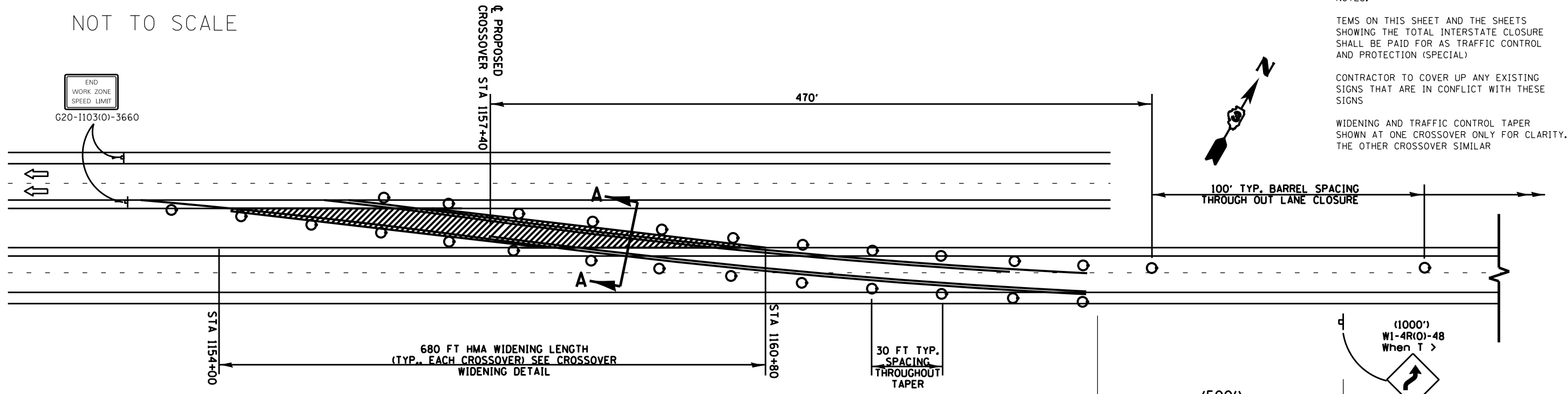


NOT TO SCALE

NOTES:  
 ITEMS ON THIS SHEET AND THE SHEETS SHOWING THE TOTAL INTERSTATE CLOSURE SHALL BE PAID FOR AS TRAFFIC CONTROL AND PROTECTION (SPECIAL)  
 CONTRACTOR TO COVER UP ANY EXISTING SIGNS THAT ARE IN CONFLICT WITH THESE SIGNS  
 WIDENING AND TRAFFIC CONTROL TAPER SHOWN AT ONE CROSSOVER ONLY FOR CLARITY. THE OTHER CROSSOVER SIMILAR



- SYMBOLS**
- ↑ Arrow board
  - ▨ Work area
  - † Sign
  - ⏏ Direction indicator barricade with steady burn monodirectional light
  - ⊙ Drum with steady burn monodirectional light
  - ▤ Vertical Panel (back to back)
  - ⦿ Type III barricade with flashing lights
  - Flagger with traffic control sign
  - ⏏ Type II barricade, drum, or vertical barricade with steady burn monodirectional light

SEE STANDARDS 701400 (SP), 701401, AND 701411 FOR DETAILS NOT SHOWN

FILE NAME =	USER NAME = \$USER\$	DESIGNED -	REVISED -	<b>STATE OF ILLINOIS DEPARTMENT OF TRANSPORTATION</b>	<b>TRAFFIC CONTROL DURING BEAM REMOVAL</b>			F.A.I. RTE.	SECTION	COUNTY	TOTAL SHEETS	SHEET NO.
\$FILEL\$		DRAWN -	REVISED -					80	(32-218R-6	GRUNDY	98	38
\$MODELNAME\$		CHECKED -	REVISED -		CONTRACT NO. 66827			ILLINOIS FED. AID PROJECT				
		DATE -	REVISED -		SCALE:	SHEET NO. 38 OF 98 SHEETS	STA.	TO STA.				