

NORTH BOUND

SOUTH BOUND

DATE	
BY	
DESIGNED	
DRAWN	
CHECKED	
DATE	

DATE	
BY	
DESIGNED	
DRAWN	
CHECKED	
DATE	

FILE NAME :
 USER NAME : dunaanbd
 DESIGNER :
 DRAWN :
 CHECKED :
 DATE : 6/10/2014

DESIGNED -
 DRAWN -
 CHECKED -
 DATE -

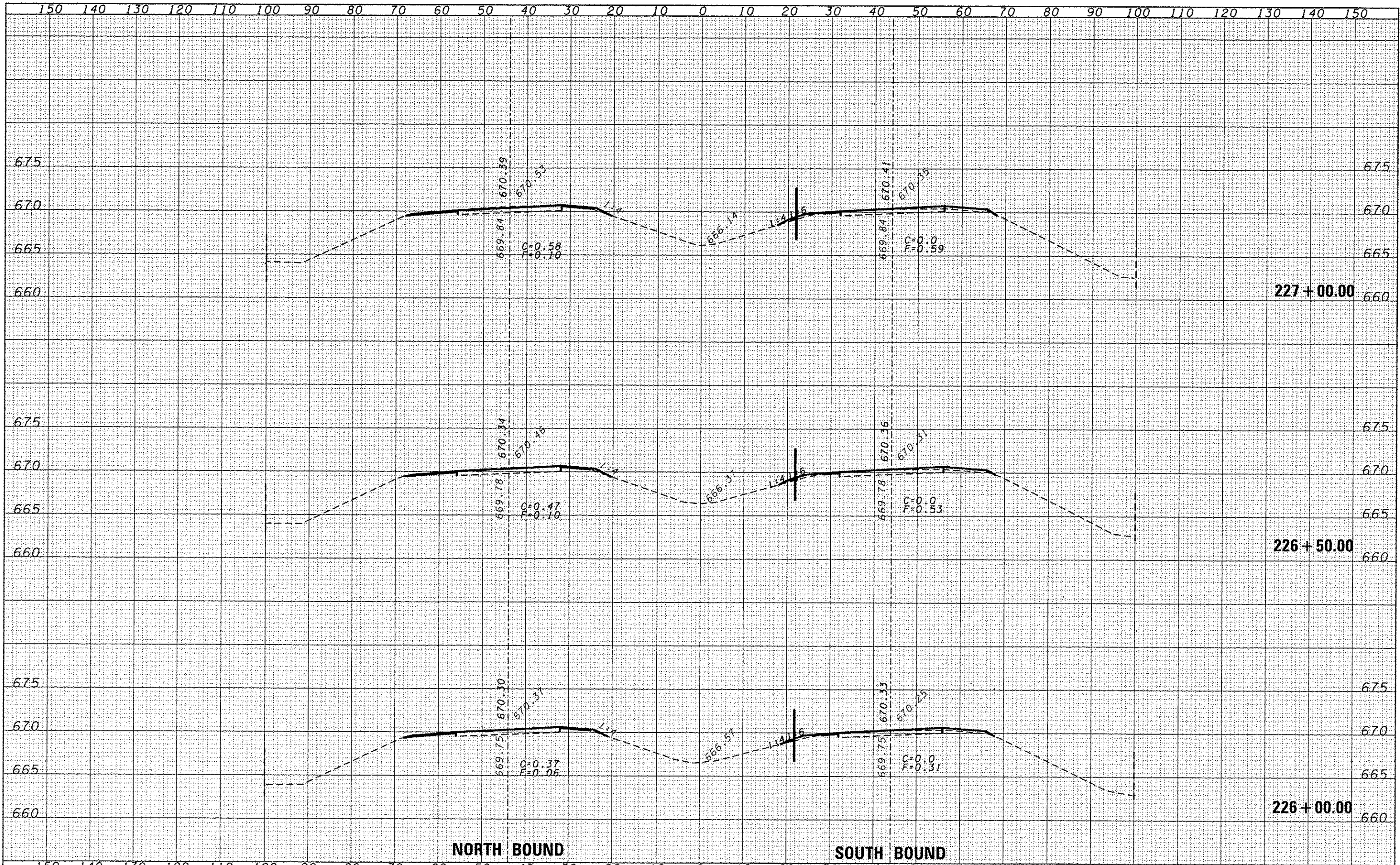
REVISED -
 REVISED -
 REVISED -
 REVISED -

STATE OF ILLINOIS
 DEPARTMENT OF TRANSPORTATION

CROSS SECTIONS

SCALE: SHEET NO. OF SHEETS STA. 221+50.00 TO STA. 222+50.00

F.A.I. RTE. 57	SECTION 138-31RS-2	COUNTY IROQUOIS	TOTAL SHEETS 186	SHEET NO. 102
CONTRACT NO. 66C53				
FED. ROAD DIST. NO. ILLINOIS FED. AID PROJECT				

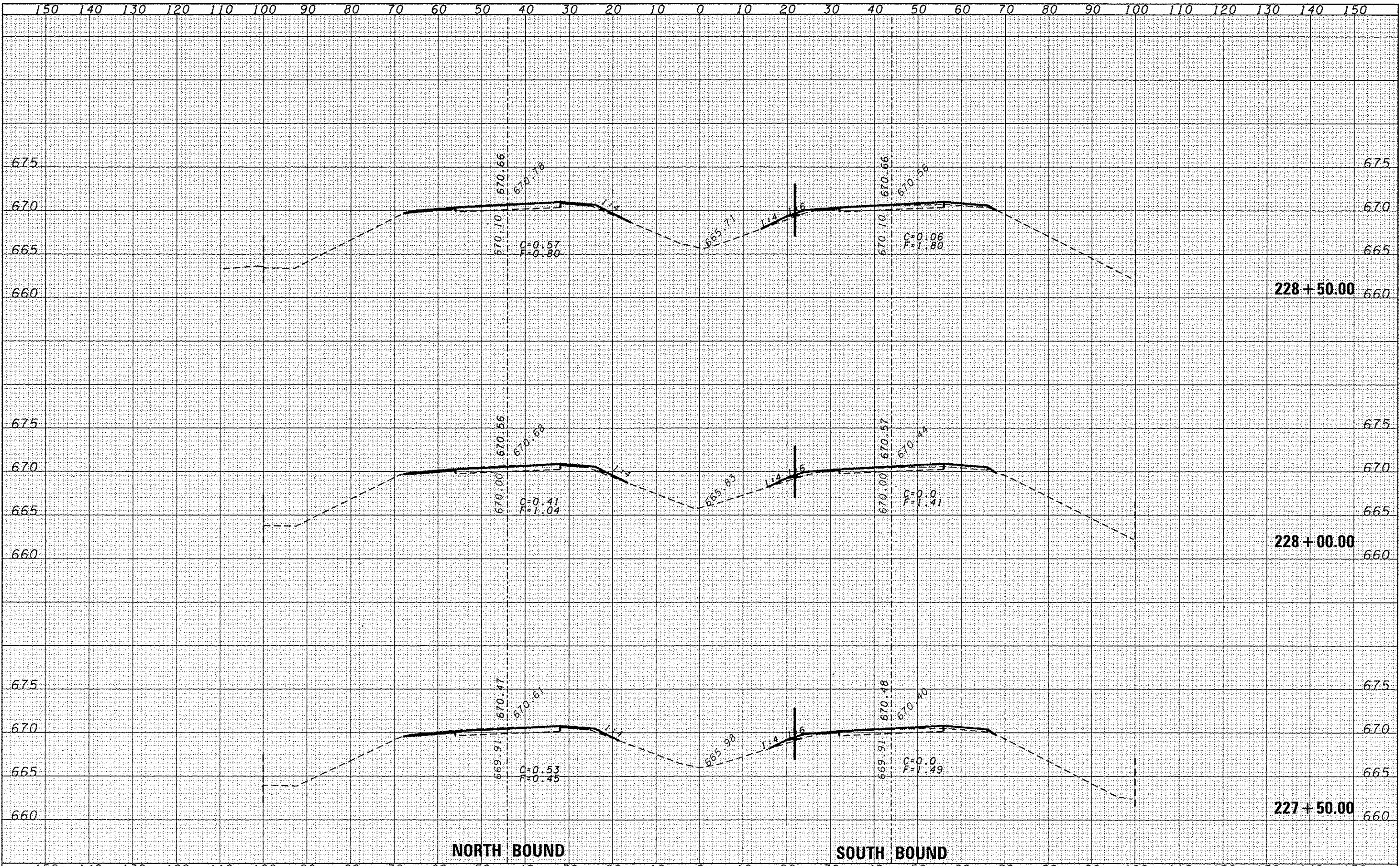


DATE	
BY	
STARTED	
SURVEY	
PLANNING	
TEMPLATE	
AREAS	
AREAS CHECKED	
FINAL	
NOTE BOOK	
NO.	

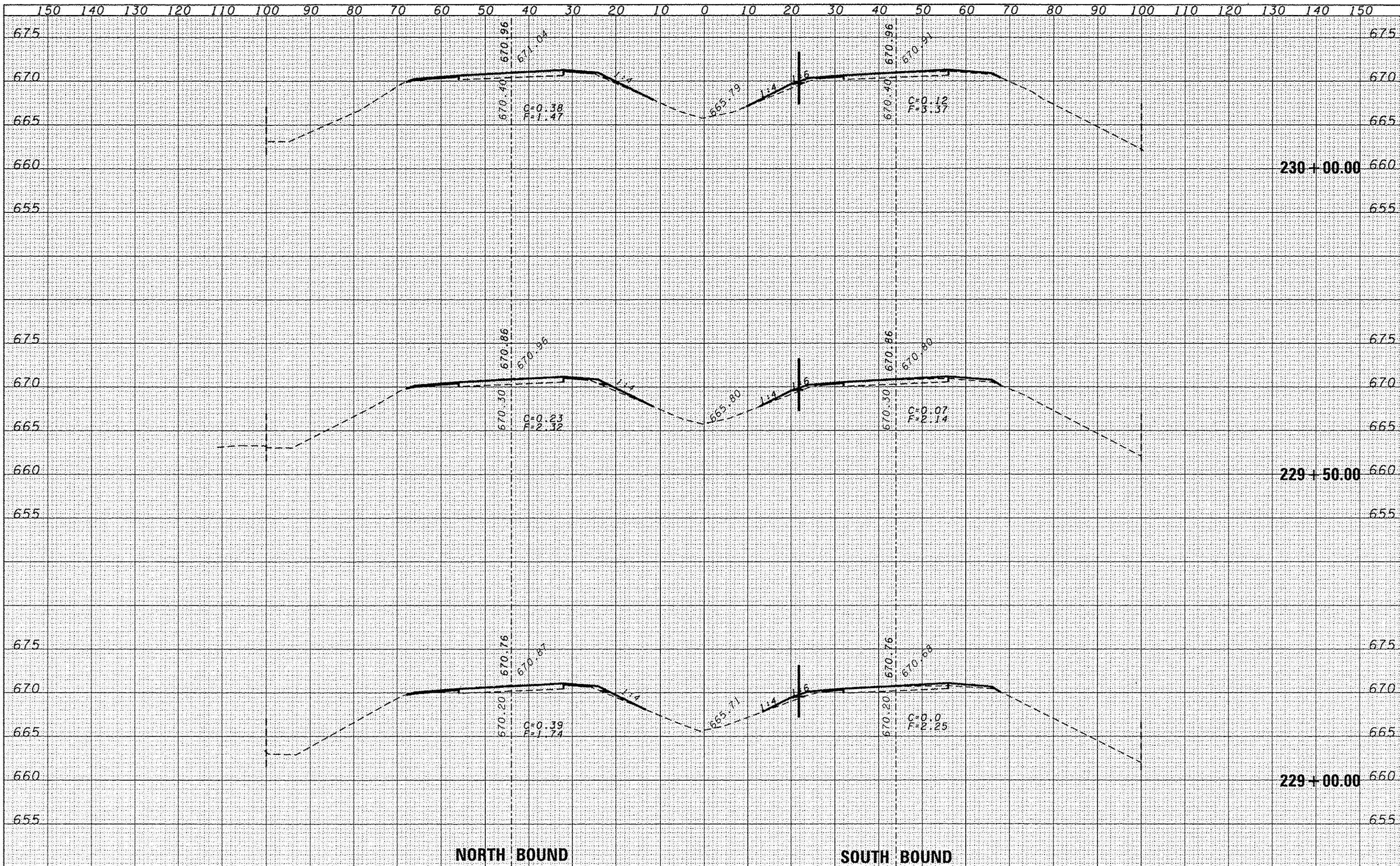
DATE	
BY	
SURVEY	
PLANNING	
TEMPLATE	
AREAS	
AREAS CHECKED	
ORIGINAL	
NOTE BOOK	
NO.	

DATE	
BY	
FINAL SURVEY	
PLANT	
NOTE BOOK	
AREAS CHECKED	
NO.	

DATE	
BY	
ORIGINAL SURVEY	
PLANT	
NOTE BOOK	
AREAS CHECKED	
NO.	



FILE NAME :	USER NAME :	DESIGNED :	REVISED :	STATE OF ILLINOIS DEPARTMENT OF TRANSPORTATION	CROSS SECTIONS	F.A.I. RTE.	SECTION	COUNTY	TOTAL SHEETS	SHEET NO.	
c:\pwork\pwork\dwg\conbd\08315542\0366C53-shr-wash.dgn	dunstanid	DRAWN :	REVISED :			57	138-31RS-2	IROQUOIS	186	106	
		CHECKED :	REVISED :			CONTRACT NO. 66C53					
		DATE :	REVISED :			SCALE: SHEET NO. OF SHEETS STA. 227+50.00 TO STA. 228+50.00		FED. ROAD DIST. NO. ILLINOIS FED. AID PROJECT			



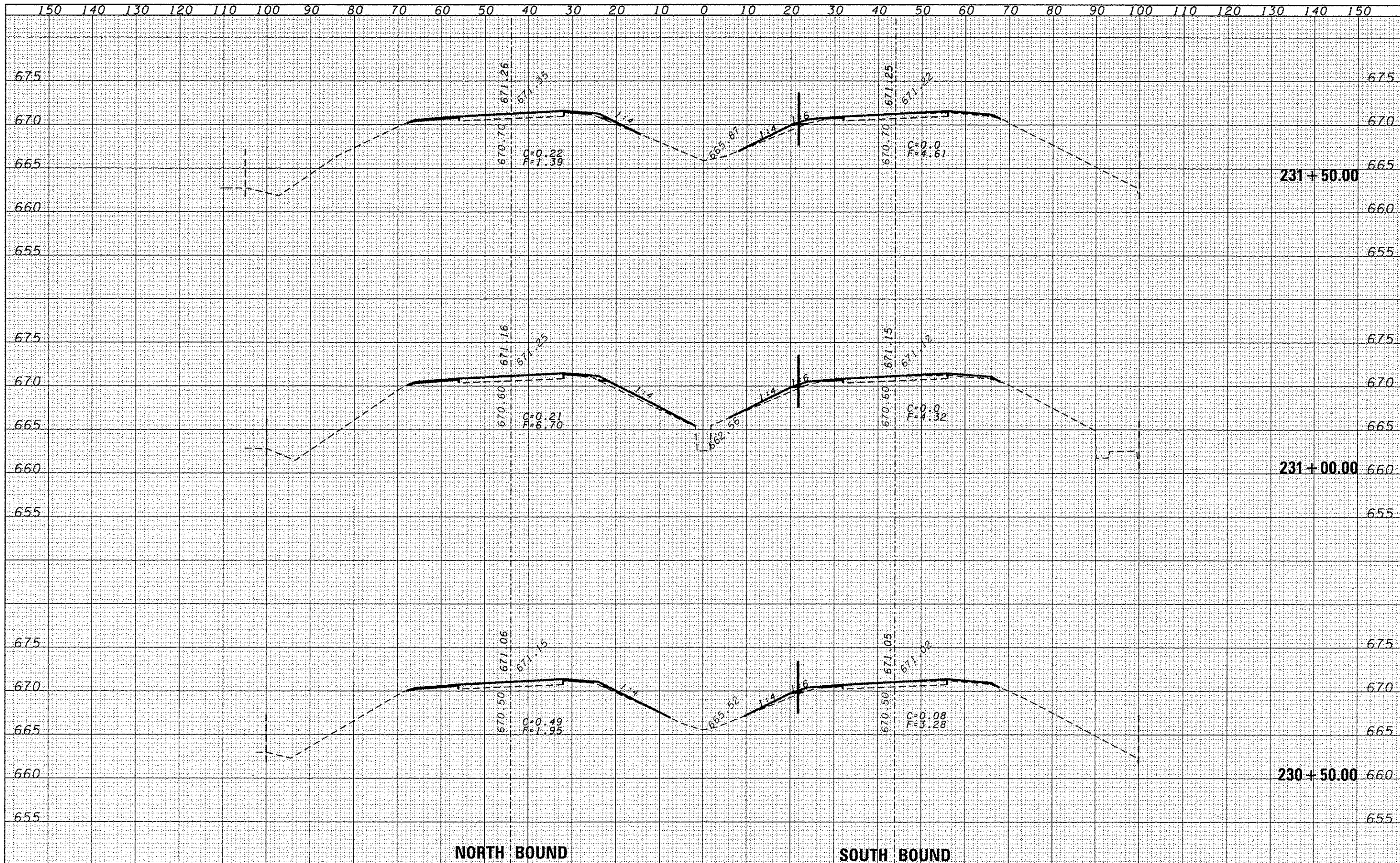
NORTH BOUND

SOUTH BOUND

FILE NAME =	USER NAME = duncanbd	DESIGNED -	REVISED -	STATE OF ILLINOIS DEPARTMENT OF TRANSPORTATION	CROSS SECTIONS	F.A.I. RTE.	SECTION	COUNTY	TOTAL SHEETS	SHEET NO.
c:\pwork\pwork\dot\duncanbd\0315542\0366C53-sh	DRAWN -	REVISED -	57			(38-3)RS-2	IROQUOIS	186	107	
PLOT SCALE = 28.0000' / 1"	CHECKED -	REVISED -	CONTRACT NO. 66C53							
PLOT DATE = 6/10/2014	DATE -	REVISED -	FED. ROAD DIST. NO. [ILLINOIS] FED. AID PROJECT							
SCALE:						SHEET NO. OF SHEETS		STA. 229+00.00 TO STA. 230+00.00		FED. ROAD DIST. NO. [ILLINOIS] FED. AID PROJECT

BY	DATE
DESIGNED	
DRAWN	
CHECKED	
DATE	

BY	DATE
DESIGNED	
DRAWN	
CHECKED	
DATE	

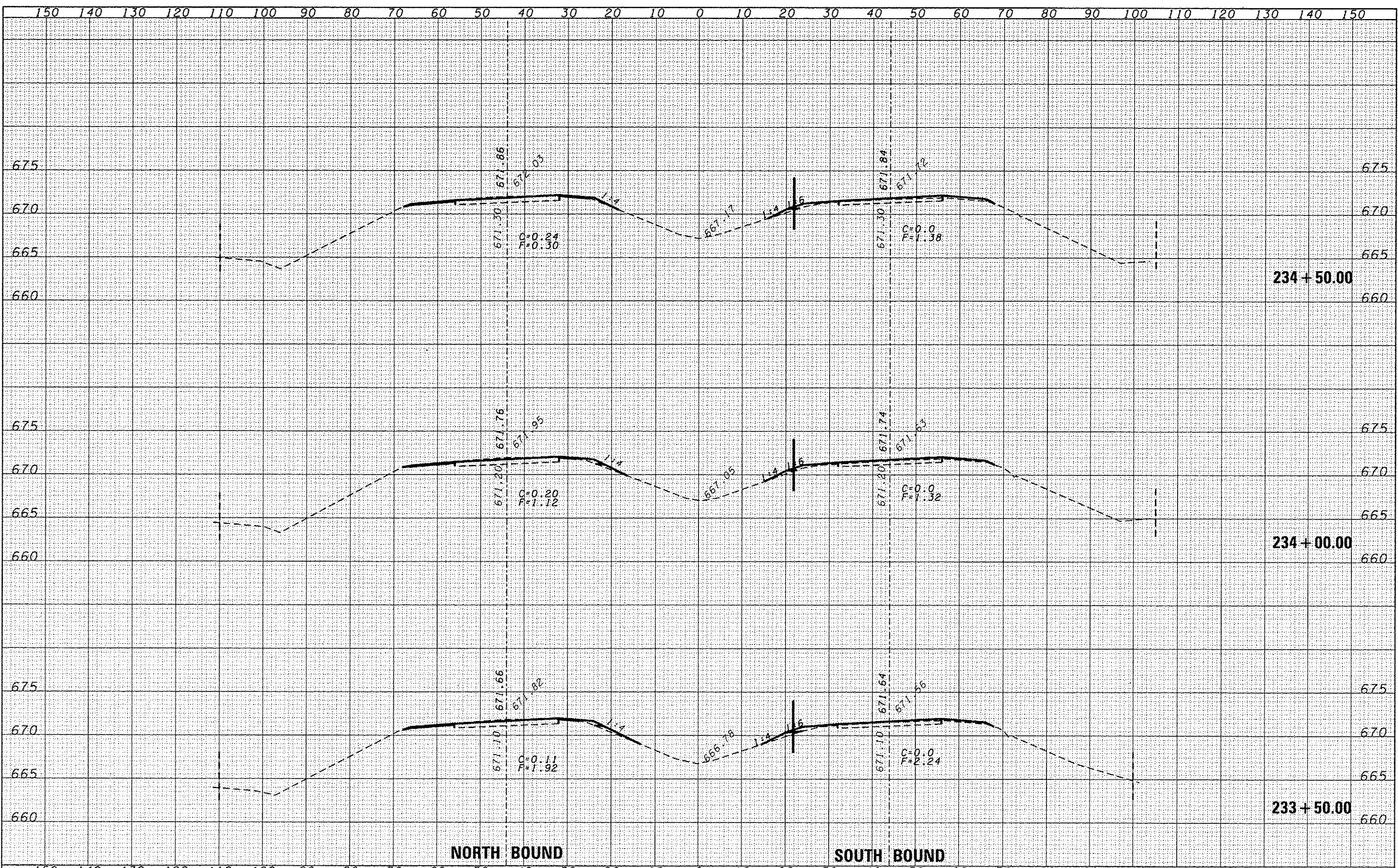


NORTH BOUND

SOUTH BOUND

DATE: _____
 BY: _____
 SURVEYED: _____
 PLOTTED: _____
 TEMPLATE: _____
 AREAS: _____
 AREAS CHECKED: _____
 NO. _____

DATE: _____
 BY: _____
 SURVEYED: _____
 PLOTTED: _____
 TEMPLATE: _____
 AREAS: _____
 AREAS CHECKED: _____
 NO. _____

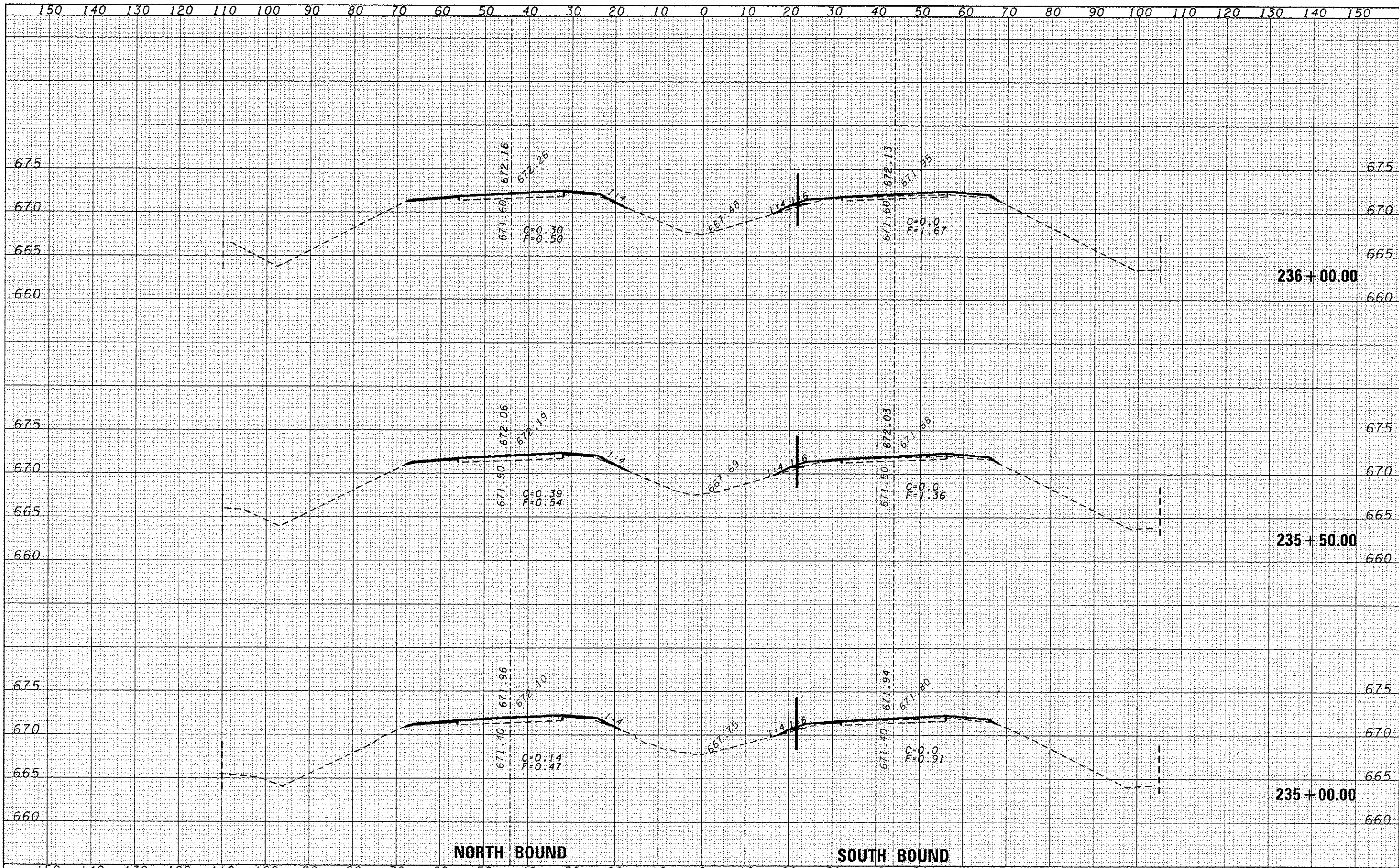


NORTH BOUND

SOUTH BOUND

DATE	
BY	
FINAL SURVEY	
SCOTTED	
TEMPLATE	
NOTE BOOK	
AREAS CHECKED	
NO.	

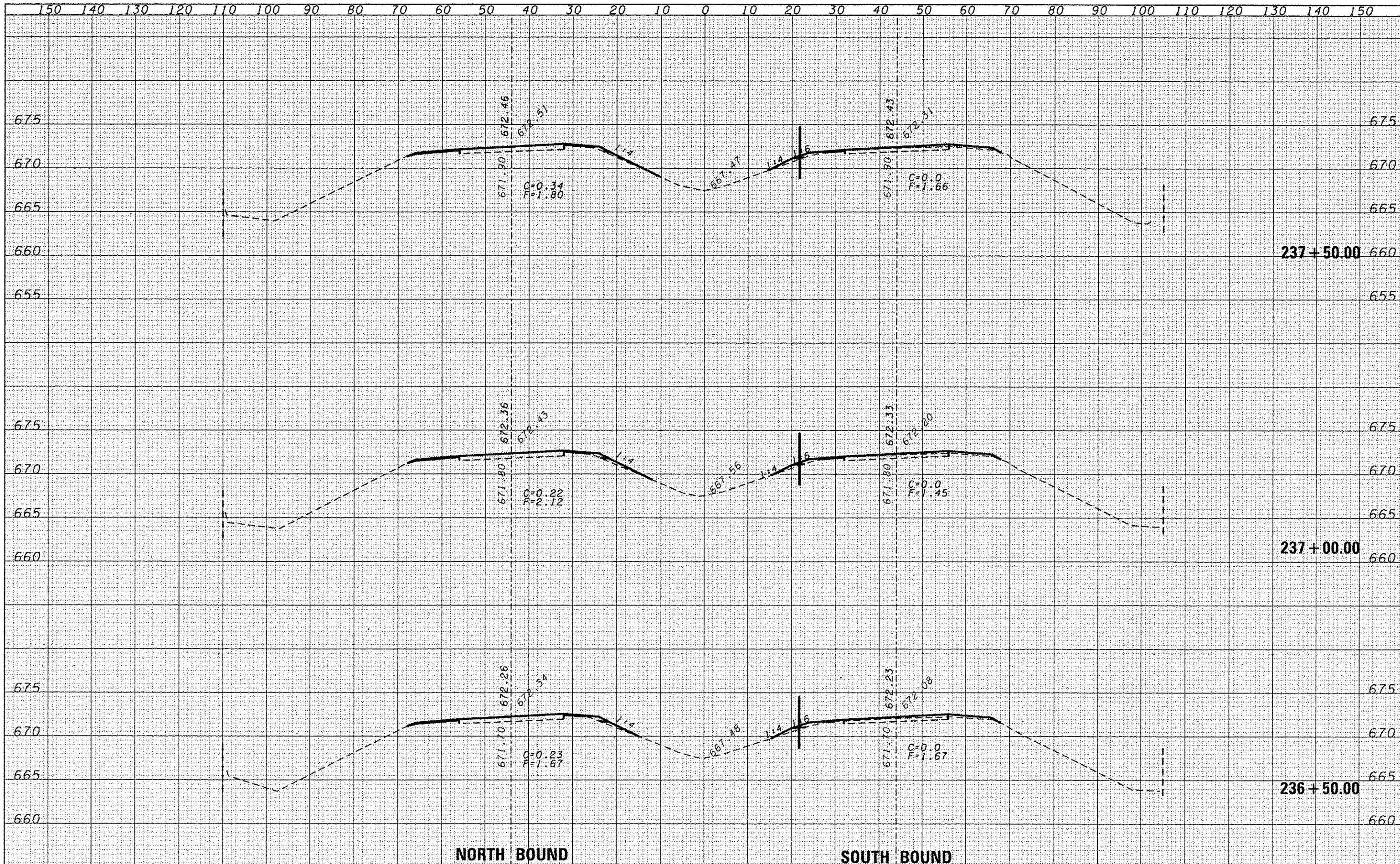
DATE	
BY	
ORIGINAL SURVEY	
SCOTTED	
TEMPLATE	
NOTE BOOK	
AREAS CHECKED	
NO.	



NORTH BOUND

SOUTH BOUND

FILE NAME :	USER NAME :	DESIGNED :	REVISED :	STATE OF ILLINOIS DEPARTMENT OF TRANSPORTATION	CROSS SECTIONS	F.A.I. RTE.:	SECTION	COUNTY	TOTAL SHEETS	SHEET NO.	
c:\pwwork\pwwork\duncanbd\0315542\0366C53-plotted.dgn	duncanbd	DRAWN :	REVISED :			57	138-31RS-2	IRROQUOIS	186	111	
PLOT SCALE = 20,0000' / in.		CHECKED :	REVISED :			CONTRACT NO. 66C53					
PLOT DATE = 6/10/2014		DATE :	REVISED :			SCALE:	SHEET NO. OF SHEETS	STA. 235+00.00 TO STA. 236+00.00	FED. ROAD DIST. NO. ILLINOIS FED. AID PROJECT		



NORTH BOUND

SOUTH BOUND

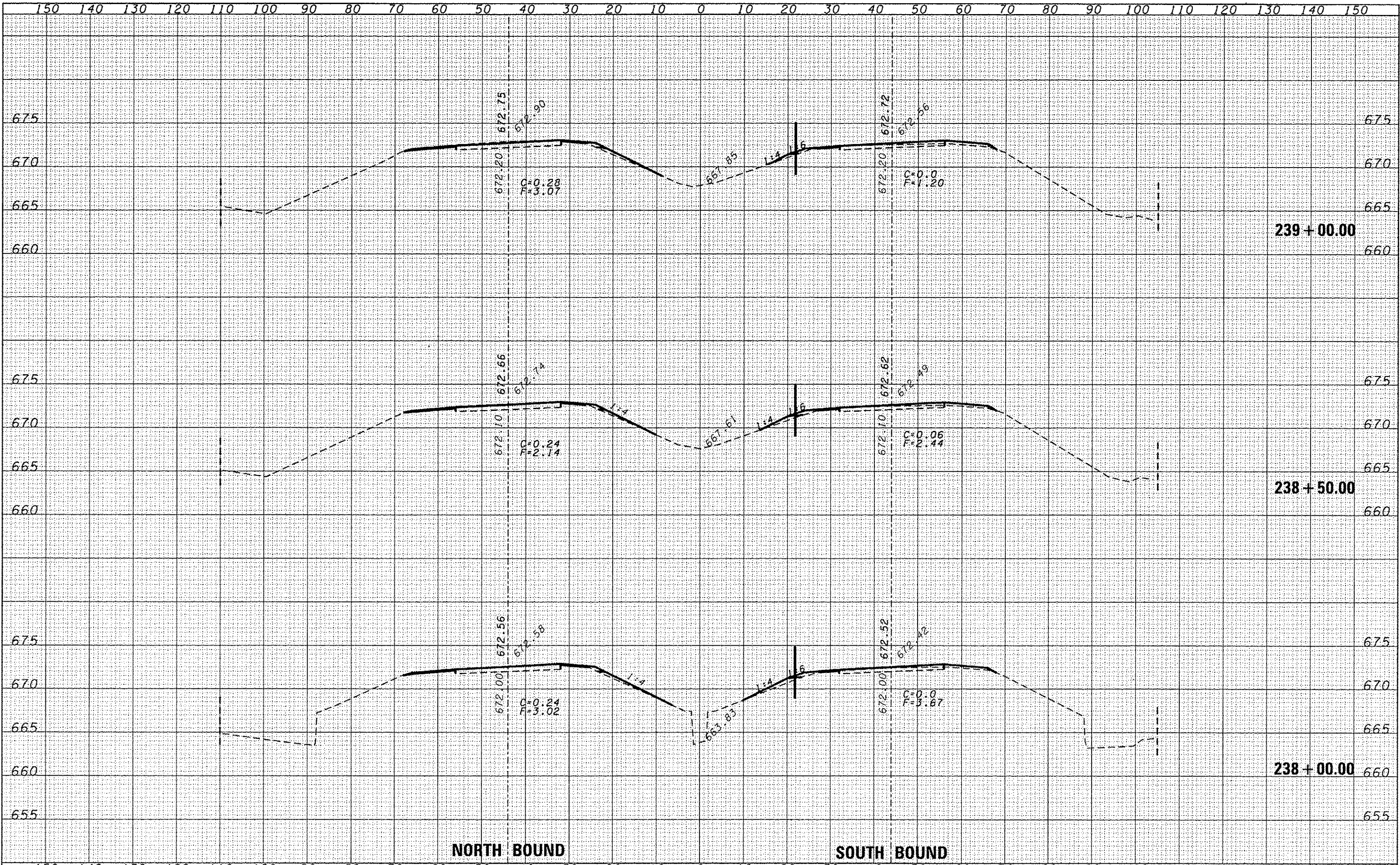
FILE NAME =	USER NAME = dunaenbd	DESIGNED -	REVISED -	STATE OF ILLINOIS DEPARTMENT OF TRANSPORTATION	CROSS SECTIONS			F.A.I. RTE.	SECTION	COUNTY	TOTAL SHEETS	SHEET NO.
c:\pwork\p1dot\dunconbd\0315542\0366053-sh	PLLOT SCALE = 20.0000' / 1" =	DRAWN -	REVISED -					57	(38-3)RS-2	IRROQUOIS	186	112
PLLOT DATE = 5/10/2014	DATE -	CHECKED -	REVISED -		CONTRACT NO. 66653			FED. ROAD DIST. NO. ILLINOIS FED. AID PROJECT				
		DATE -	REVISED -		SCALE:	SHEET NO. OF SHEETS	STA. 236+50.00 TO STA. 237+50.00					

DATE	
BY	
APPROVED	
TEMPLAT	
AREAS CHECKED	
FINAL SURVEY	
NOTE BOOK	
NO.	

DATE	
BY	
APPROVED	
TEMPLAT	
AREAS CHECKED	
ORIGINAL SURVEY	
NOTE BOOK	
NO.	

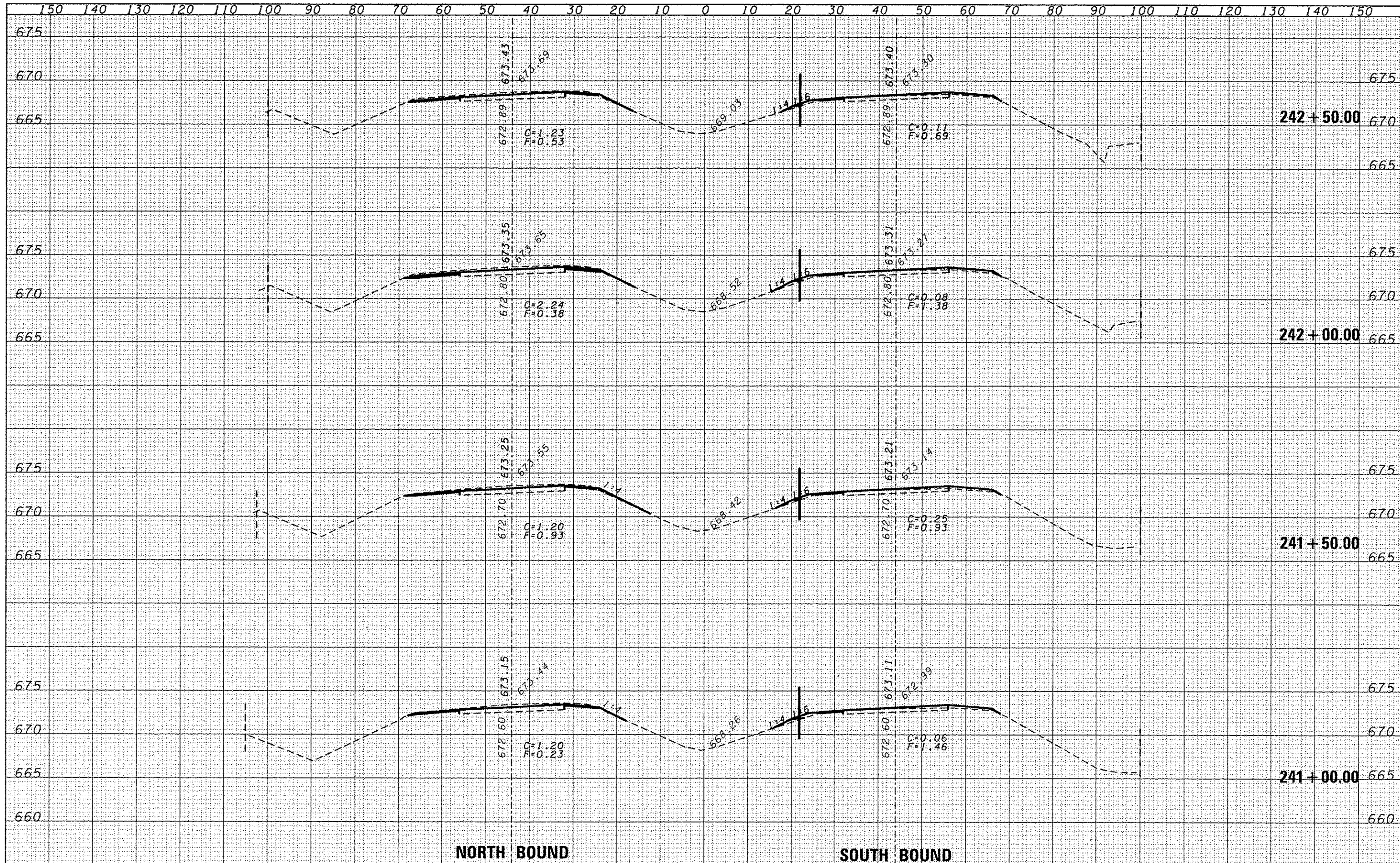
DATE	
BY	
REVIEWED	
PLOTTED	
NOTE BOOK	
AREAS CHECKED	

DATE	
BY	
REVIEWED	
PLOTTED	
NOTE BOOK	
AREAS CHECKED	



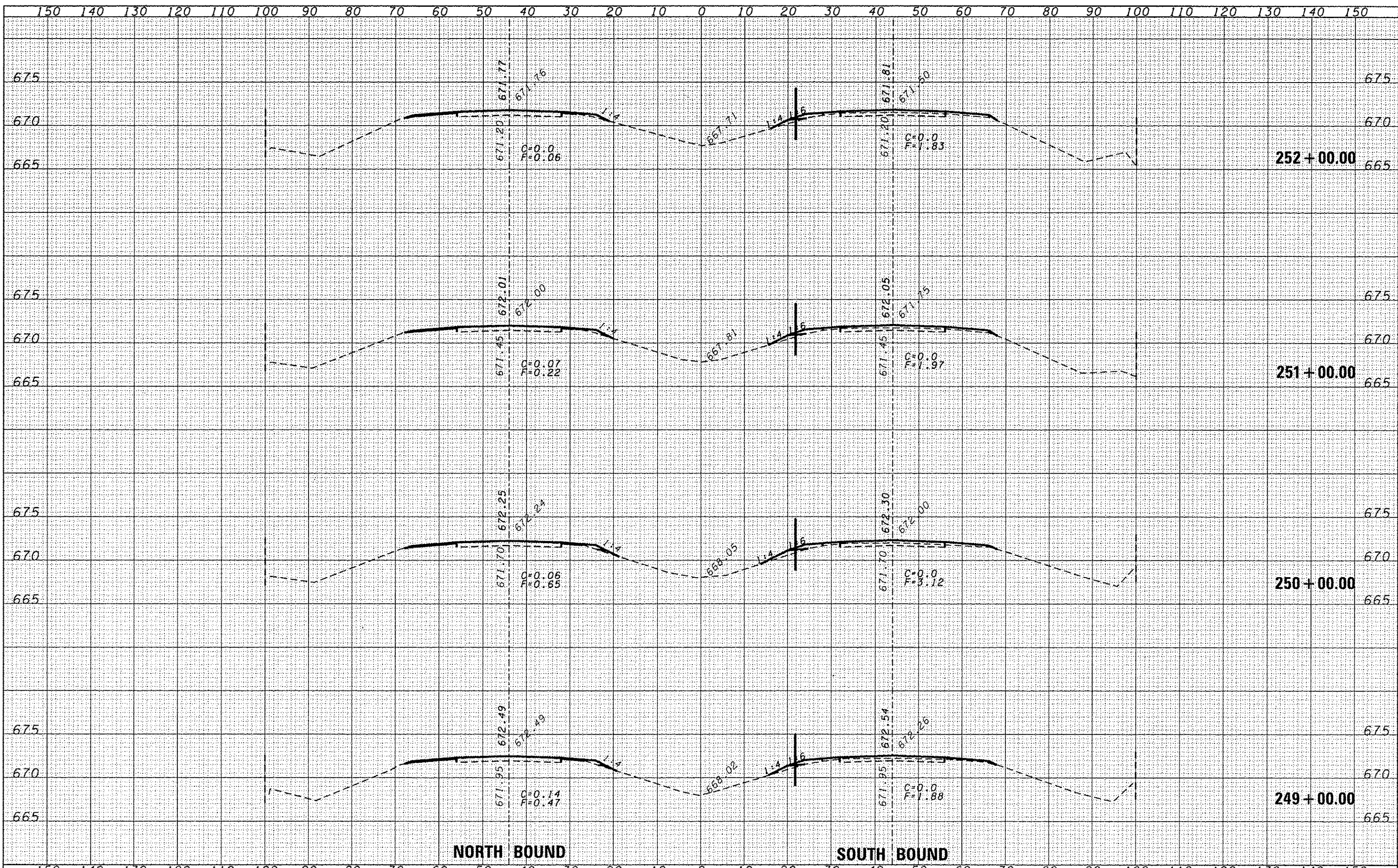
NORTH BOUND

SOUTH BOUND



DATE	
BY	
FINAL SURVEY	
SURVEY	
PLOTTED	
TEMPLATE	
AREAS	
AREAS CHECKED	
NOTE BOOK NO.	

DATE	
BY	
ORIGINAL SURVEY	
SURVEY	
PLOTTED	
TEMPLATE	
AREAS	
AREAS CHECKED	
NOTE BOOK NO.	



NORTH BOUND

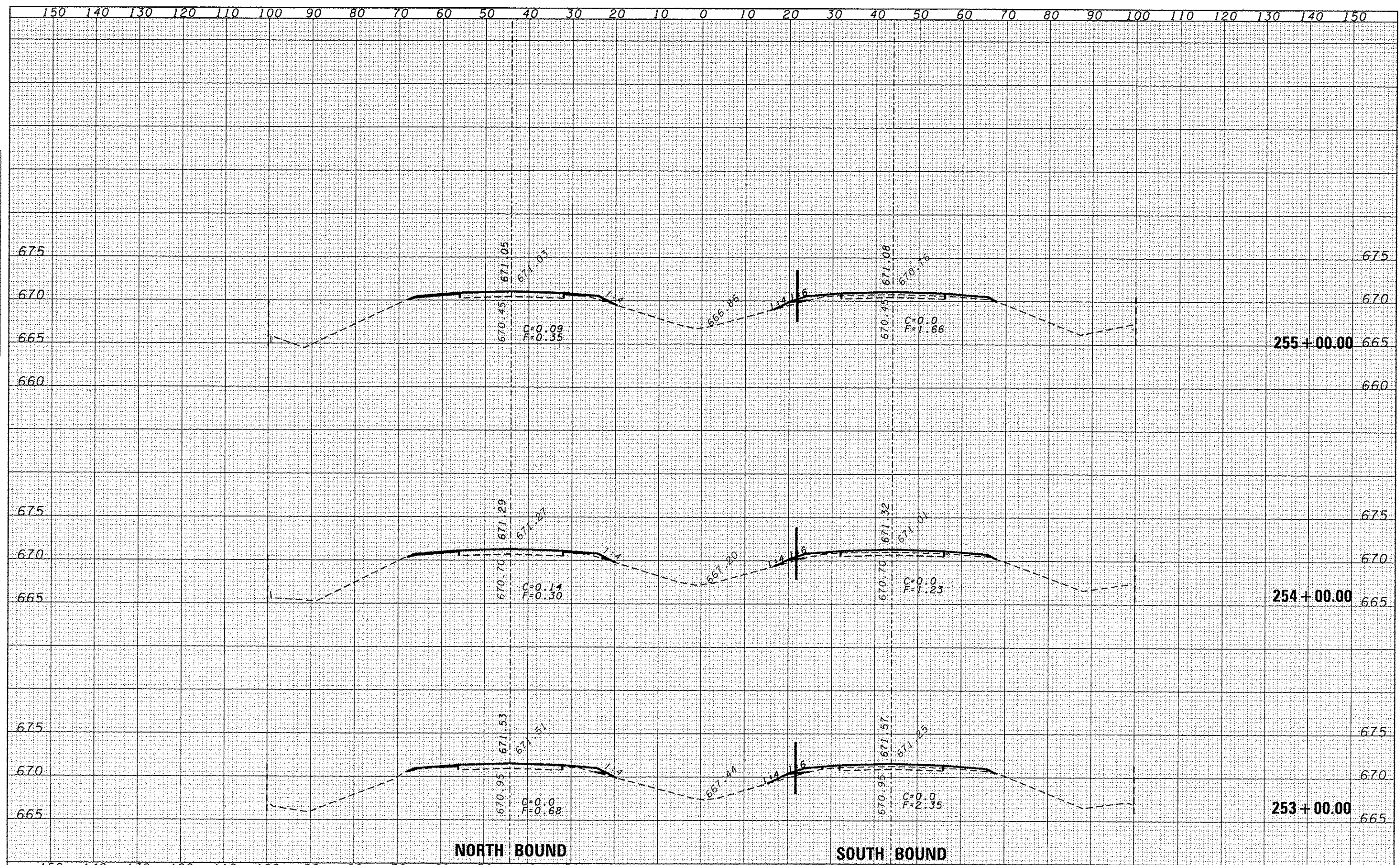
SOUTH BOUND

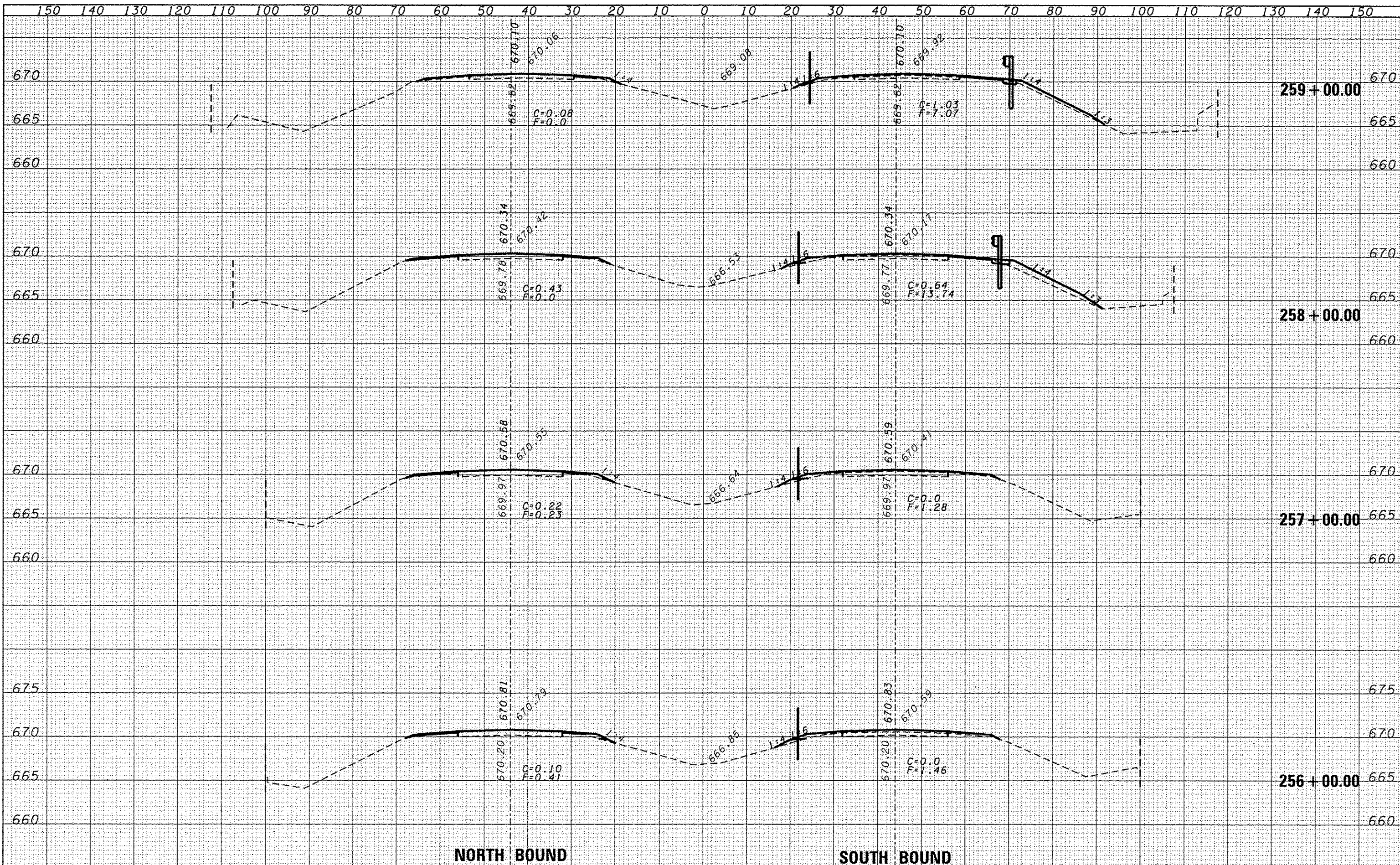
DATE	
BY	
ORIGINAL SURVEY	
NOTED	
PLOTTED	
TEMPLATE	
AREAS	
CHECKED	

DATE	
BY	
ORIGINAL SURVEY	
NOTED	
PLOTTED	
TEMPLATE	
AREAS	
CHECKED	

DATE	
BY	
FINAL SURVEY	
SURVEY	
NOTE BOOK	
AREAS CHECKED	

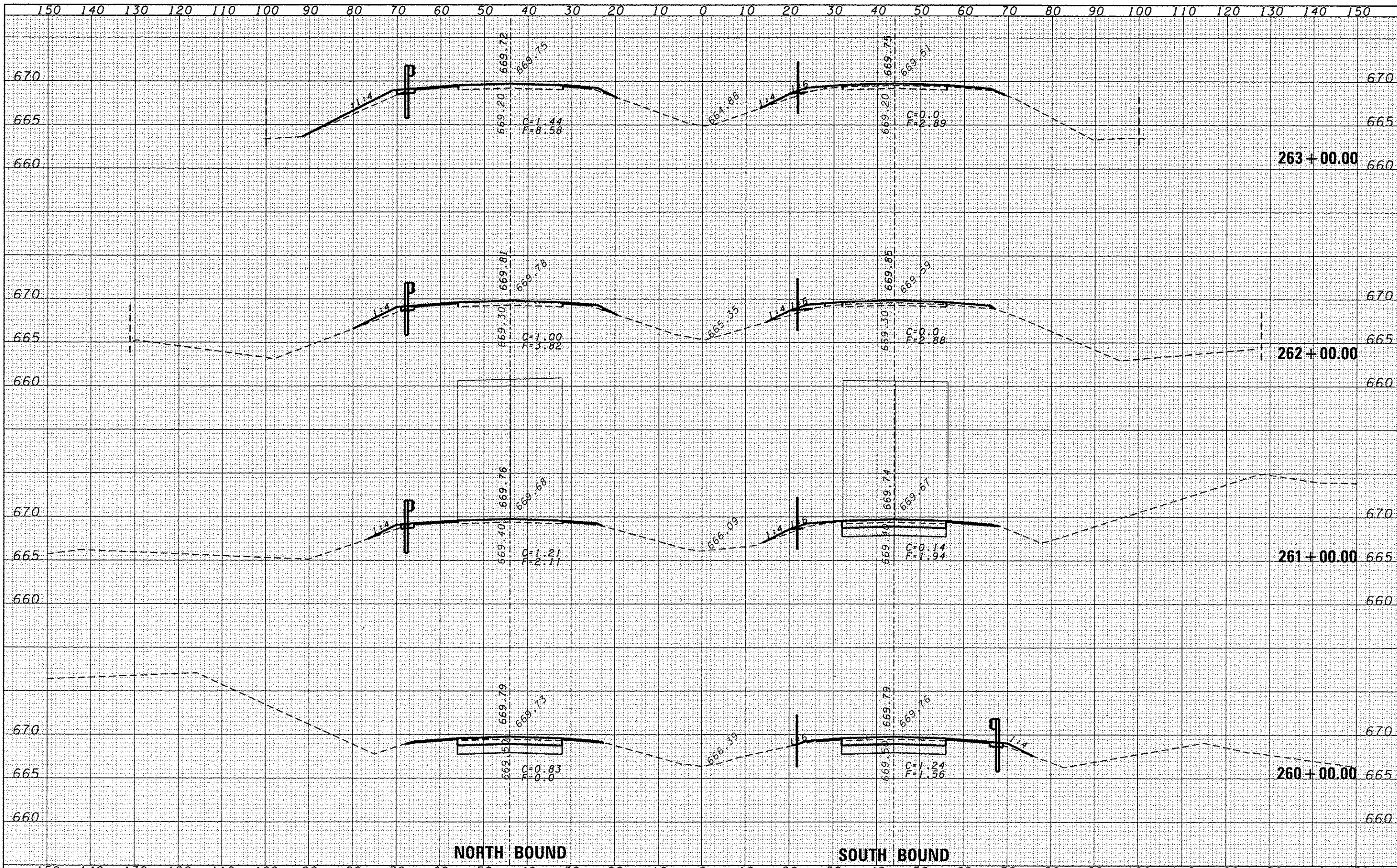
DATE	
BY	
ORIGINAL SURVEY	
PLOTTED	
TEMPLATE	
AREAS	
AREAS CHECKED	





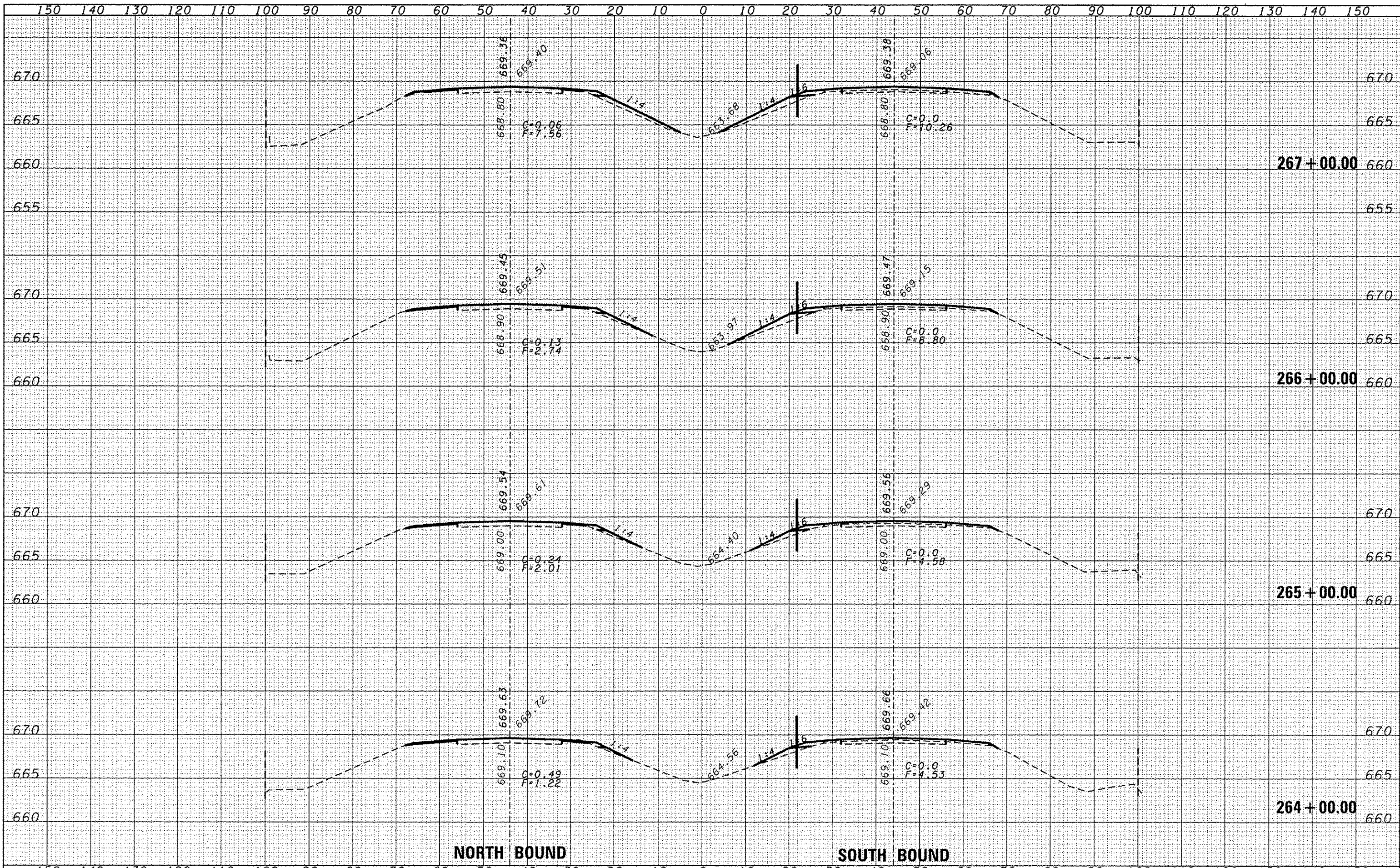
DATE	
BY	
FILED	
SURVEY	
NOTED	
BOOK	
NO.	
AREAS CHECKED	

DATE	
BY	
FILED	
SURVEY	
NOTED	
BOOK	
NO.	
AREAS CHECKED	



DATE	
BY	
NO.	
AREAS CHECKED	
TEMPLATE	
NOTE BOOK	
NO.	
FINAL SURVEY	
SCREENED	
PLOTTED	

DATE	
BY	
NO.	
AREAS CHECKED	
TEMPLATE	
NOTE BOOK	
NO.	
ORIGINAL SURVEY	
SCREENED	
PLOTTED	

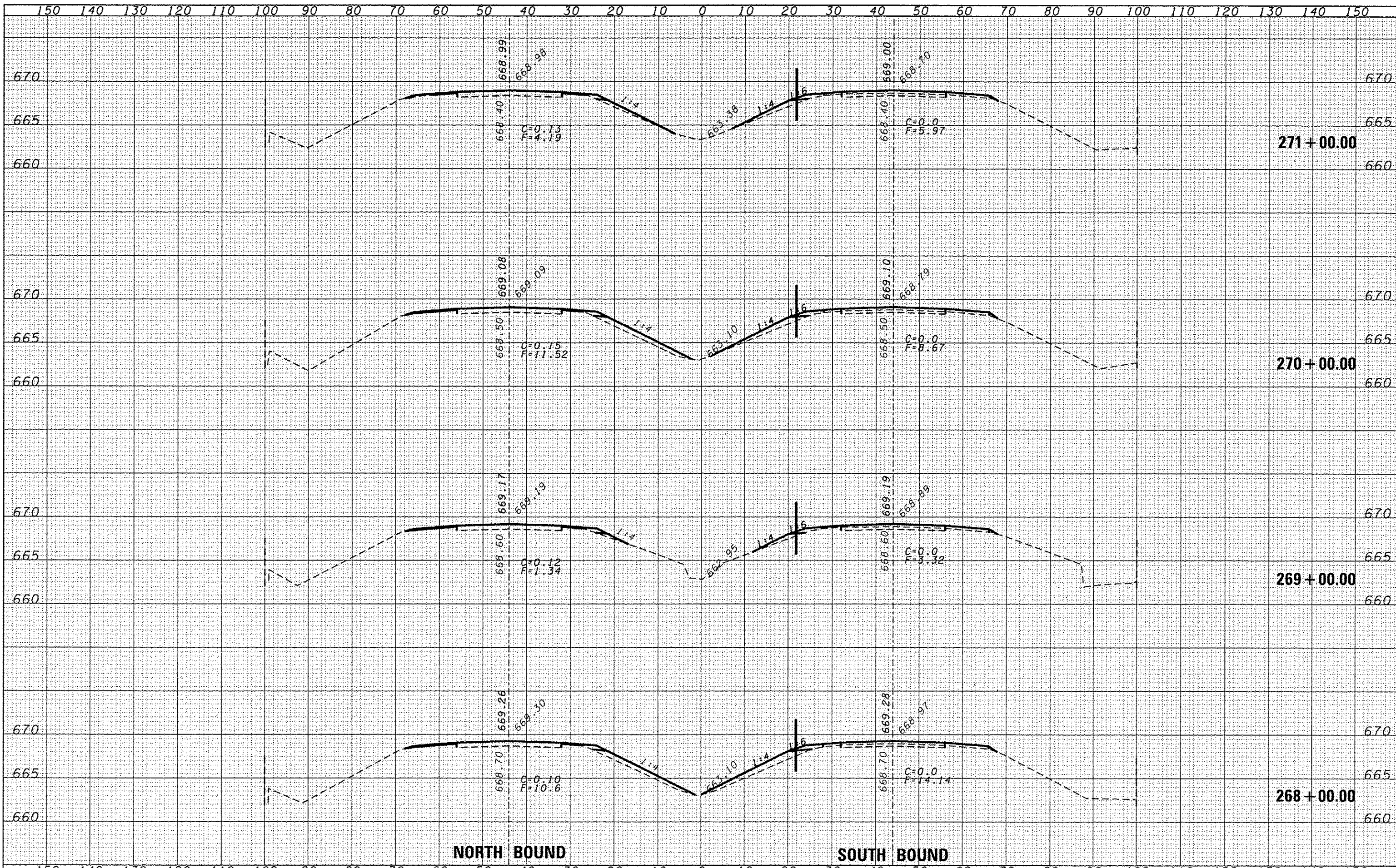


NORTH BOUND

SOUTH BOUND

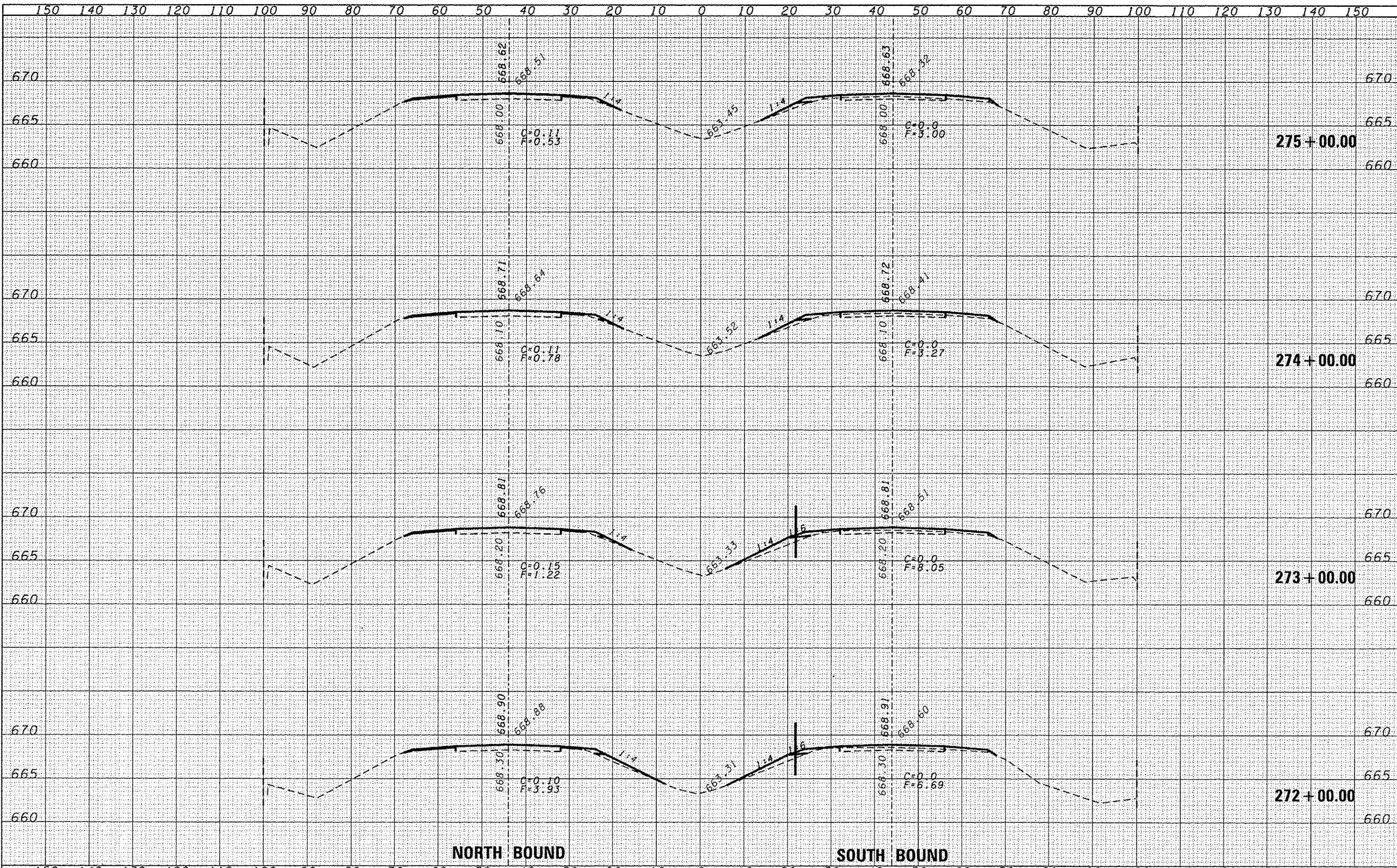
DATE	
BY	
CHECKED	
PLOTTED	
TEMPLATE	
AREAS	
CHECKED	
FINAL SURVEY	
NOTE BOOK	
NO.	

DATE	
BY	
CHECKED	
PLOTTED	
TEMPLATE	
AREAS	
CHECKED	
ORIGINAL SURVEY	
NOTE BOOK	
NO.	



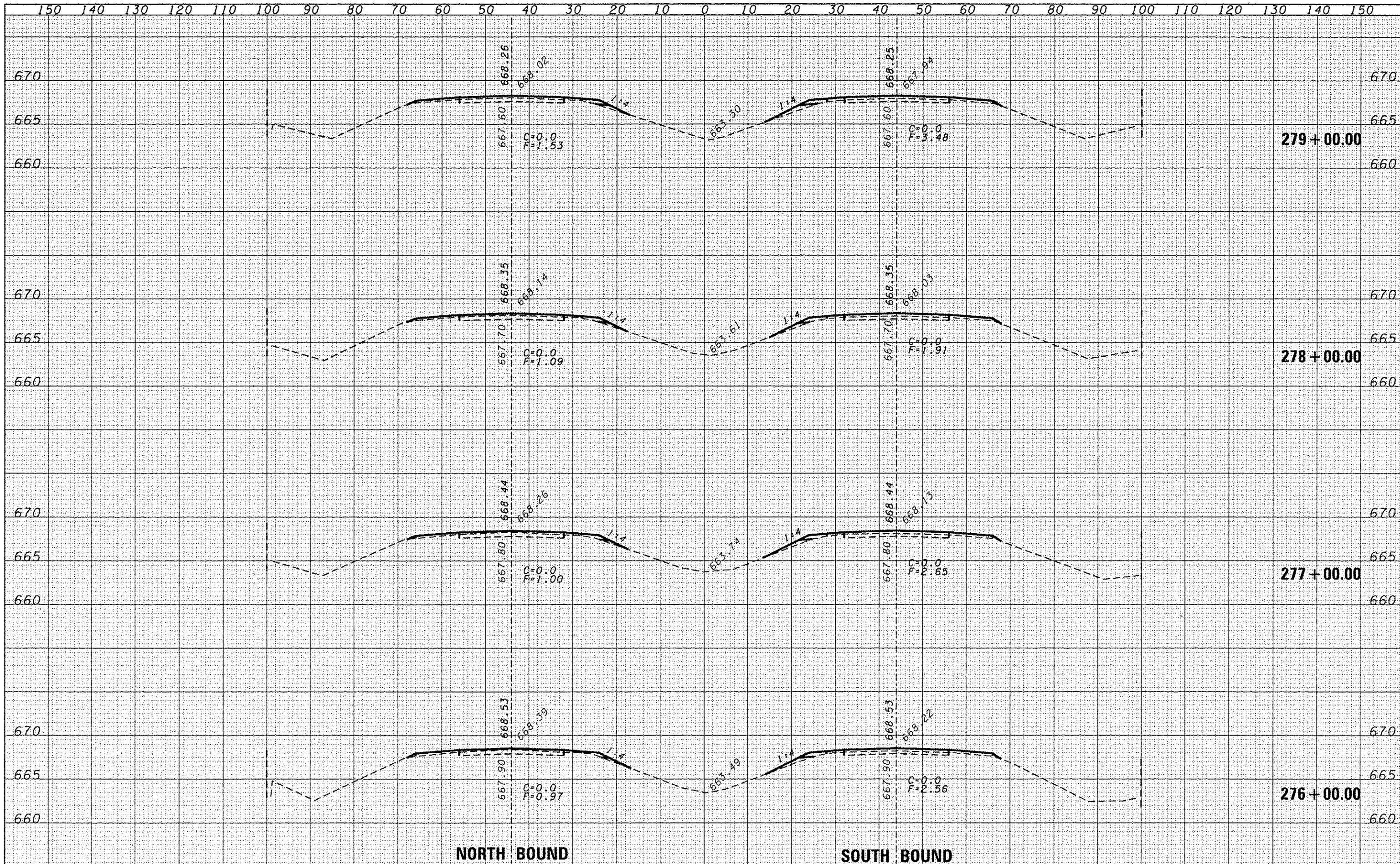
DATE	
BY	
FINAL SURVEY	
WORKED	
NOTED	
PLOTTED	
TEMPLATE	
AREAS	
CHECKED	
NO.	

DATE	
BY	
ORIGINAL SURVEY	
WORKED	
NOTED	
PLOTTED	
TEMPLATE	
AREAS	
CHECKED	
NO.	



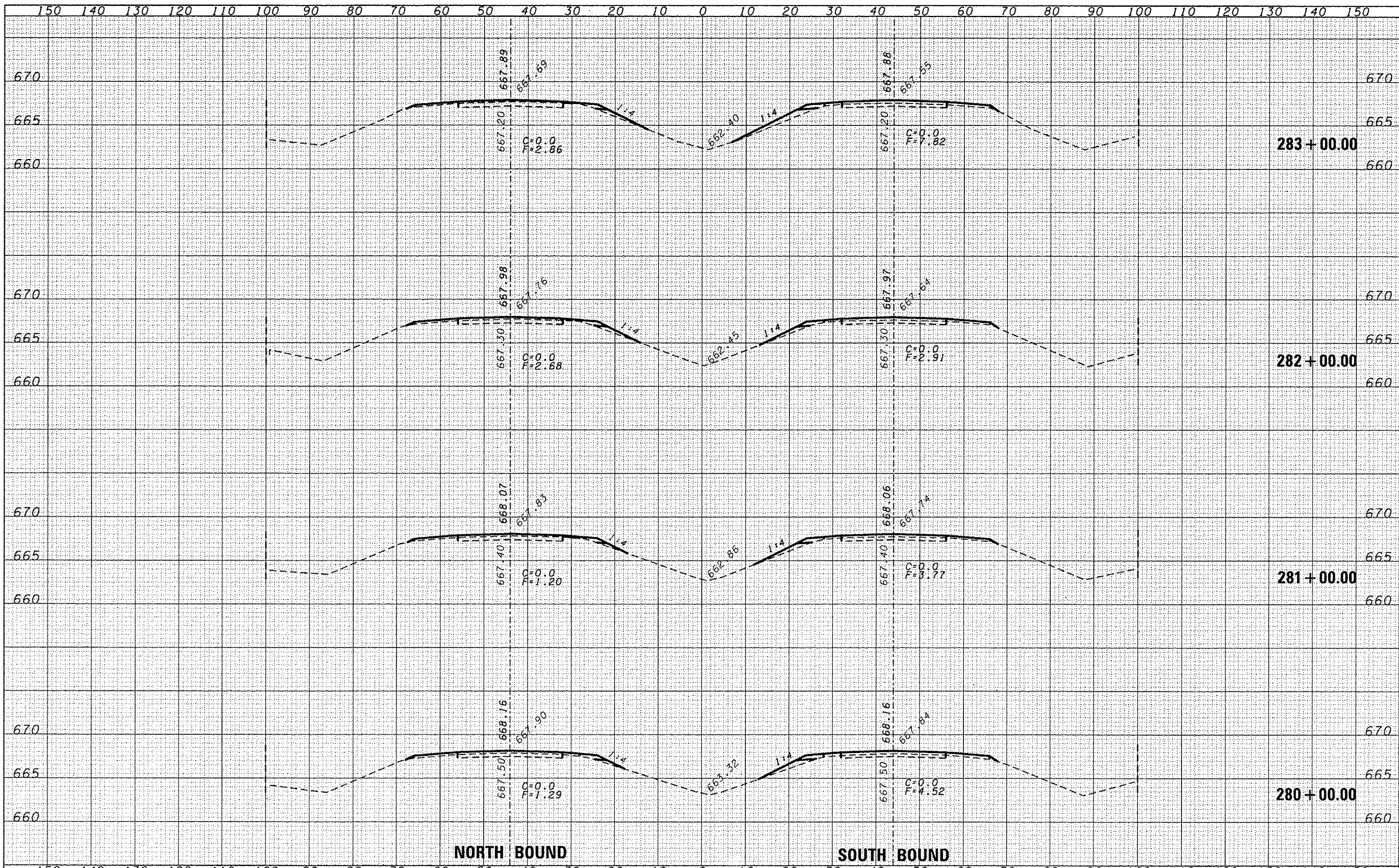
DATE	
BY	
FINL SURVEY	
SURVEY	
NOTED	
NOTE BOOK	
NO.	
AREAS CHECKED	

DATE	
BY	
ORIGINAL SURVEY	
SURVEY	
NOTED	
NOTE BOOK	
NO.	
AREAS CHECKED	



DATE	
BY	
FINAL SURVEY	
TEMPLATE	
NOTE BOOK	
AREAS CHECKED	

DATE	
BY	
ORIGINAL SURVEY	
TEMPLATE	
NOTE BOOK	
AREAS CHECKED	

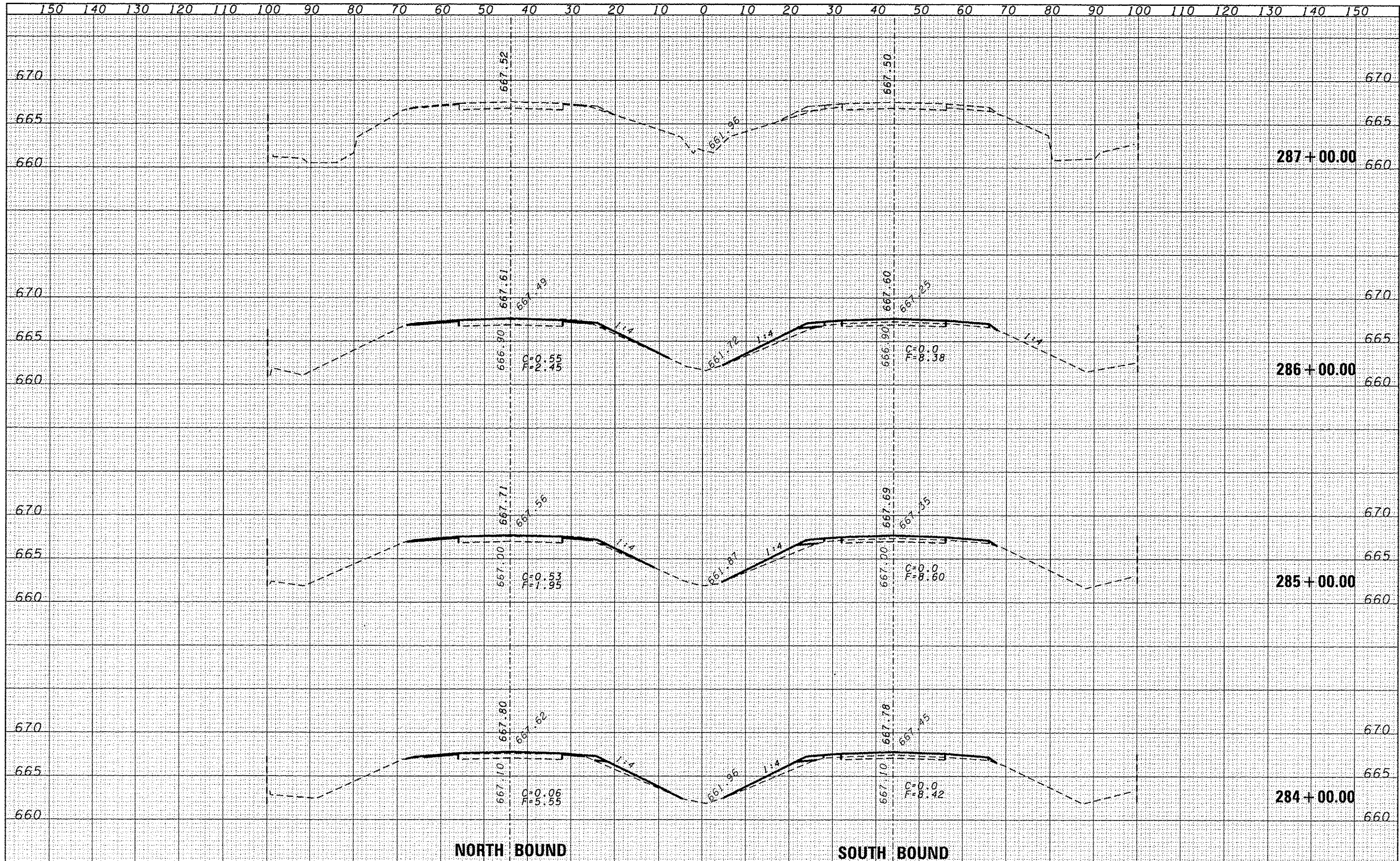


DATE	
BY	
STARTED	
STOPPED	
FINAL SURVEY	
NOTE BOOK	
AREAS CHECKED	

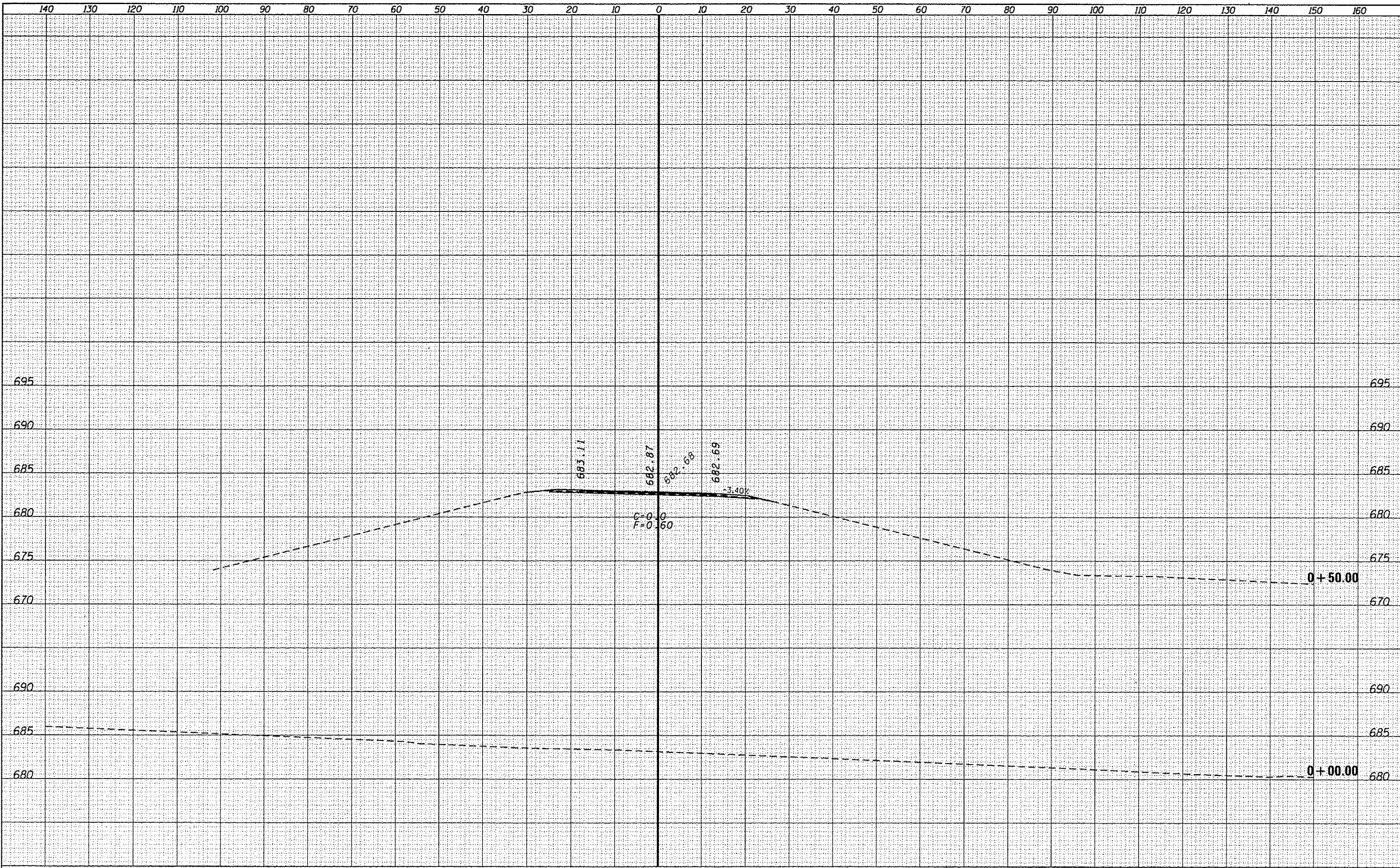
DATE	
BY	
STARTED	
STOPPED	
ORIGINAL SURVEY	
NOTE BOOK	
AREAS CHECKED	

DATE	
BY	
CHECKED	
DESIGNED	
PLOTTED	
TEMPLATE	
AREAS	
CHECKED	
FINAL SURVEY	
NOTE BOOK	
NO.	

DATE	
BY	
CHECKED	
DESIGNED	
PLOTTED	
TEMPLATE	
AREAS	
CHECKED	
ORIGINAL SURVEY	
NOTE BOOK	
NO.	

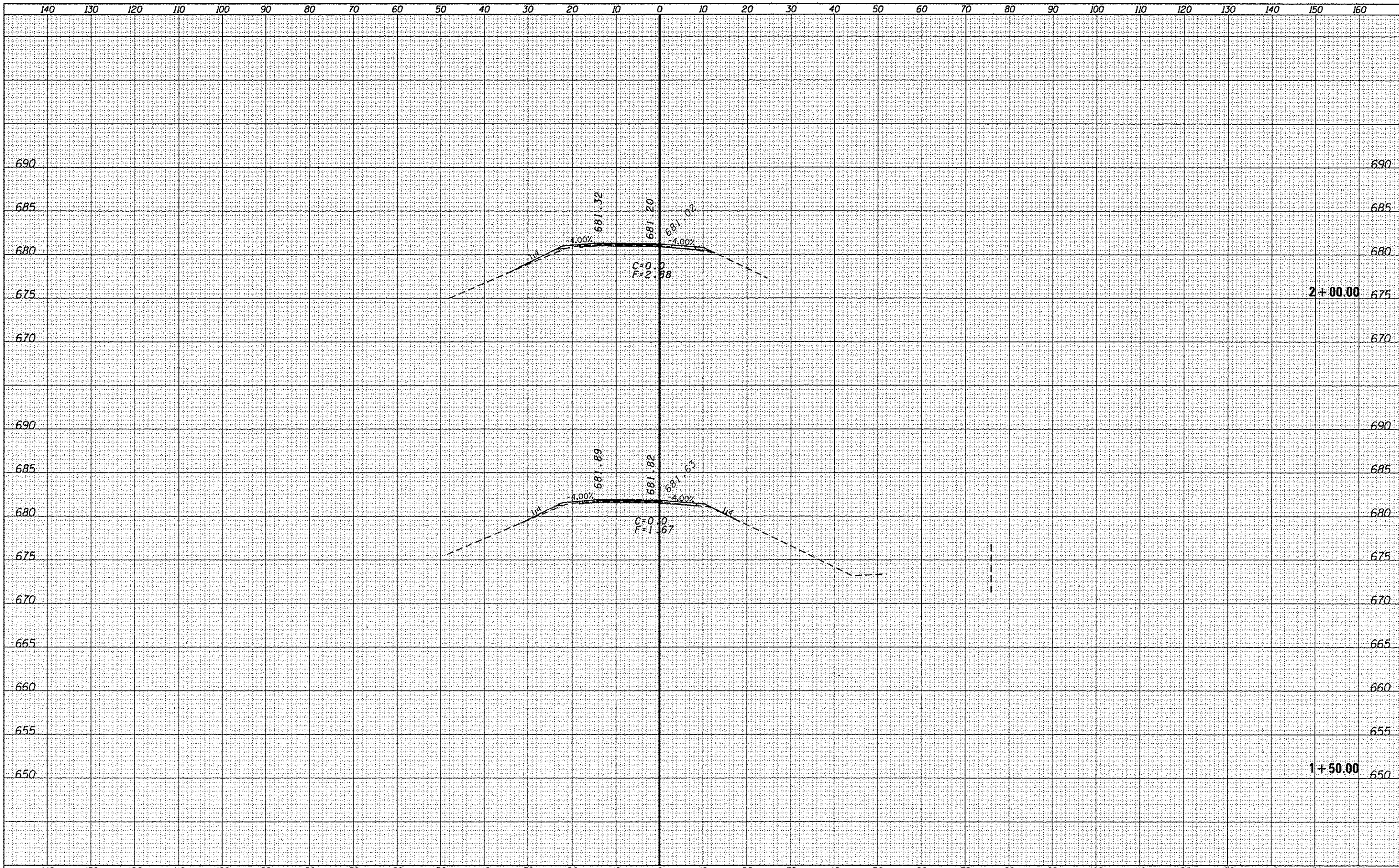


FILE NAME: c:\pw\work\pw\dot\duncanbd\0315542\0366C53-1111\shsht.dgn	USER NAME: duncanbd	DESIGNED: -	REVISED: -	STATE OF ILLINOIS DEPARTMENT OF TRANSPORTATION	CROSS SECTIONS		F.A.T. RTE. 57	SECTION (38-3)RS-2	COUNTY TROQUOIS	TOTAL SHEETS 186	SHEET NO. 127	
PLOT SCALE: 20,000 / in.	CHECKED: -	REVISED: -	REVISED: -		SCALE: SHEET NO. OF SHEETS	STA. 284+00.00 TO STA. 287+00.00	FED. ROAD DIST. NO. [ILLINOIS] FED. AID PROJECT	CONTRACT NO. 66C53				
PLOT DATE: 6/10/2014	DATE: -	REVISED: -	REVISED: -									



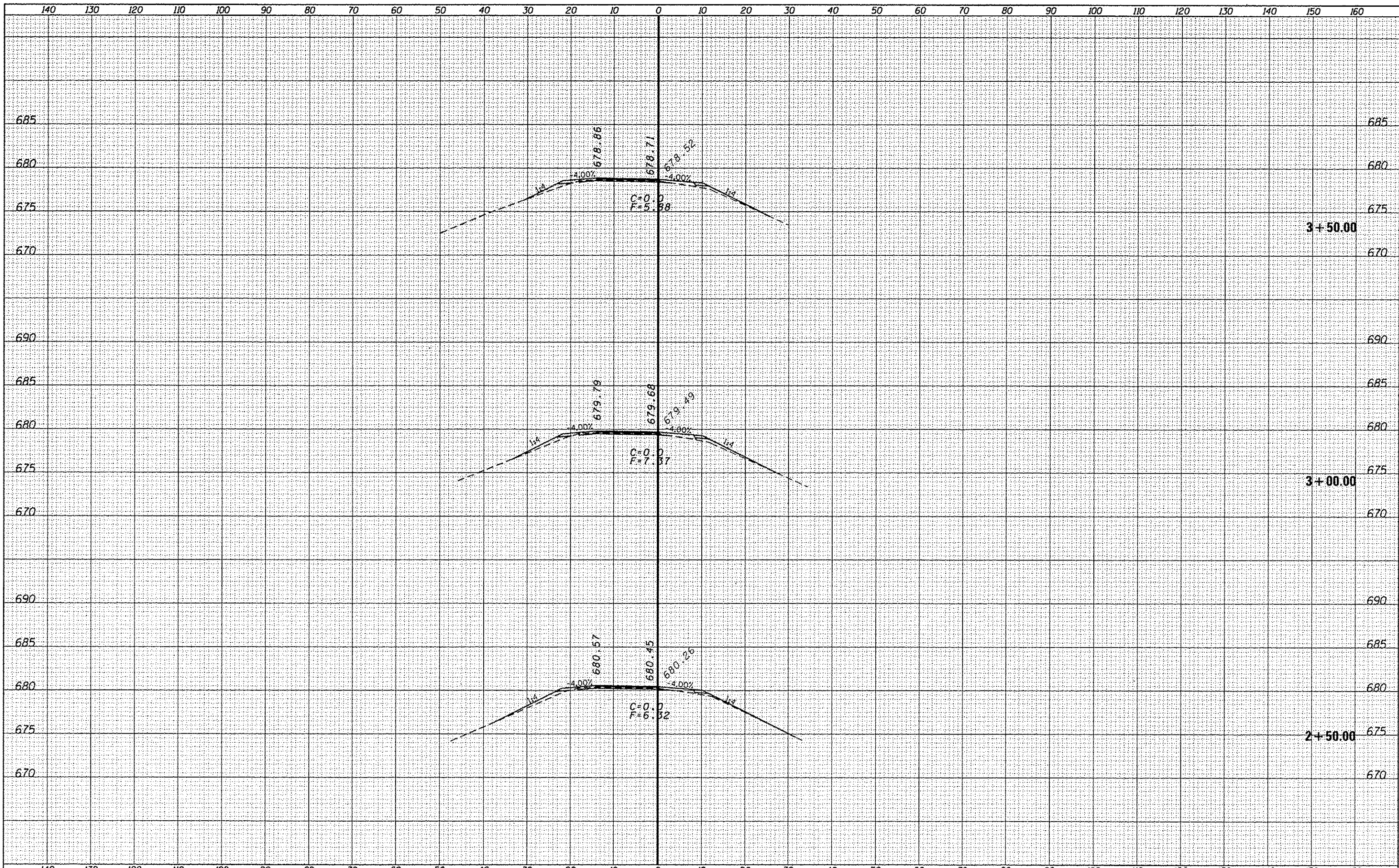
DATE	
BY	
NO.	
FINAL SURVEY NOTE BOOK	
SURVEY PLOTTED	
TEMPLATE AREAS CHECKED	

DATE	
BY	
NO.	
ORIGINAL SURVEY NOTE BOOK	
SURVEY PLOTTED	
TEMPLATE AREAS CHECKED	



DATE	
BY	
SCOTTED	
NOTED	
TEMPLATE	
AREAS	
CHECKED	
NO.	

DATE	
BY	
SCOTTED	
NOTED	
TEMPLATE	
AREAS	
CHECKED	
NO.	

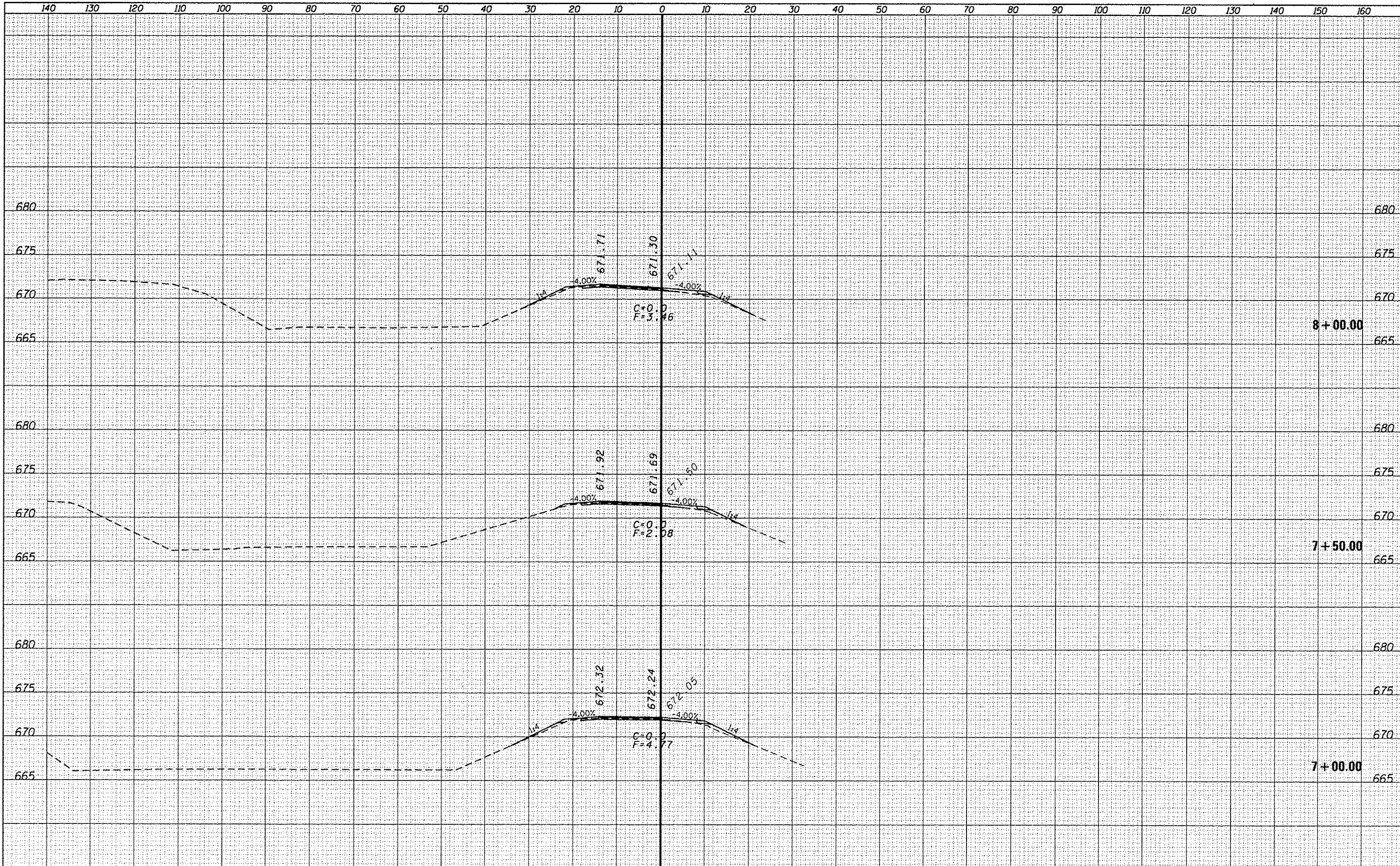


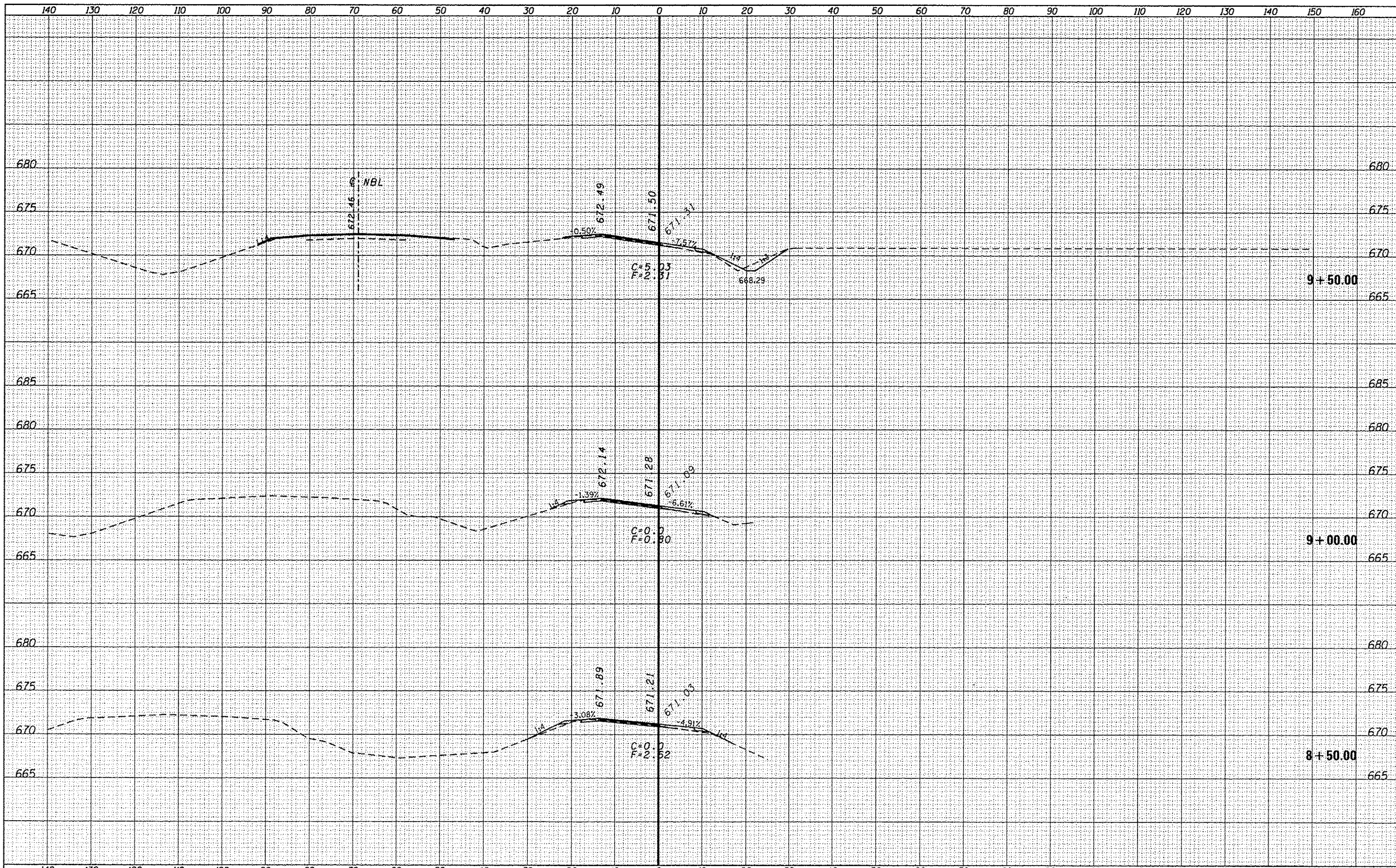
DATE	
BY	
CHECKED	
PLotted	
TEMPLATE	
AREAS	
AREAS CHECKED	
FINAL SURVEY	
NOTE BOOK	
NO.	

DATE	
BY	
CHECKED	
PLotted	
TEMPLATE	
AREAS	
AREAS CHECKED	
ORIGINAL SURVEY	
NOTE BOOK	
NO.	

DATE	
BY	
FINAL SURVEY	
PLOTTED	
NOTE BOOK	
AREAS CHECKED	
NO.	

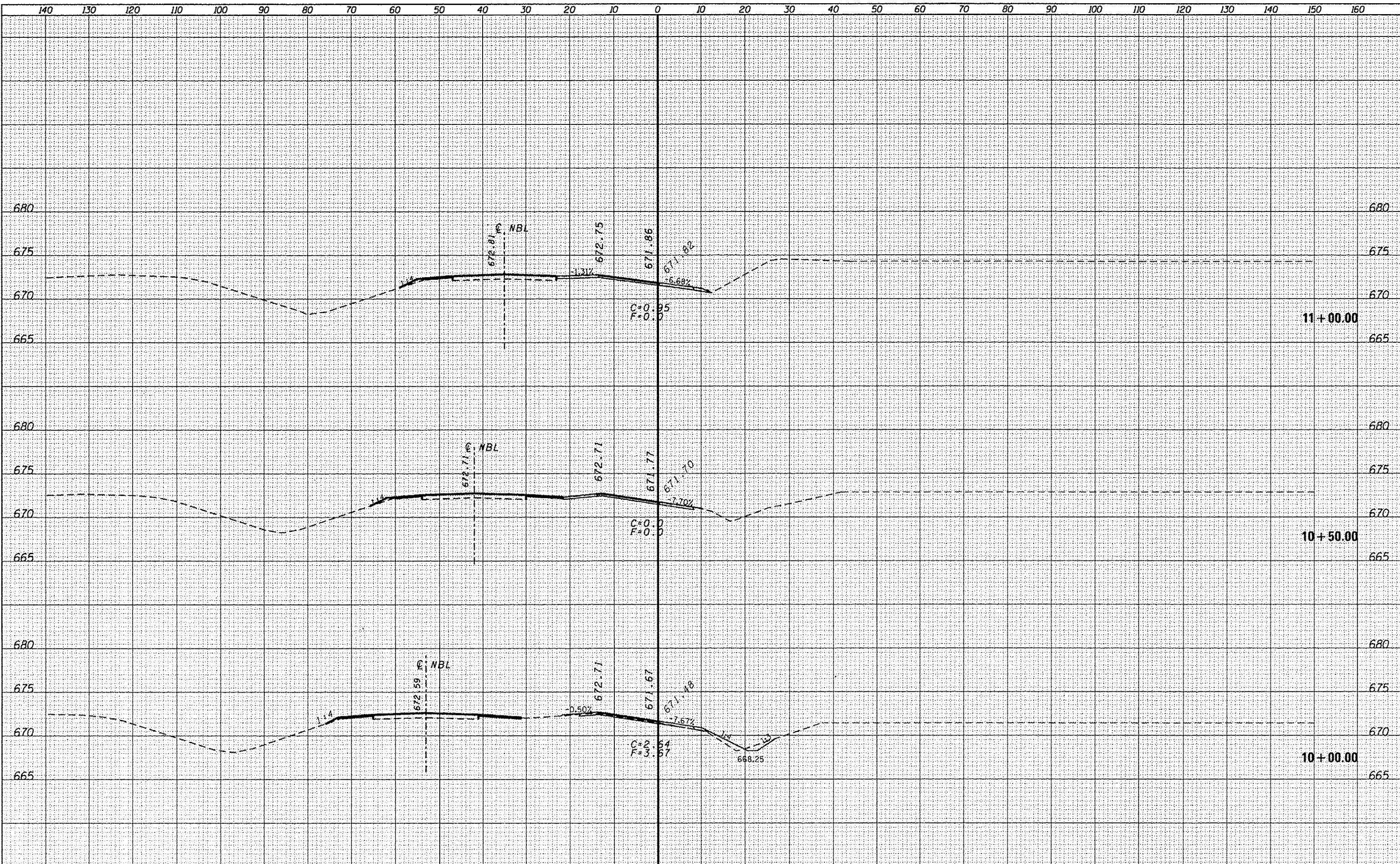
DATE	
BY	
ORIGINAL SURVEY	
PLOTTED	
NOTE BOOK	
AREAS CHECKED	
NO.	





DATE	
BY	
STARTED	
SUBMIT	
NOTED	
NO. BOOK	
AREAS CHECKED	

DATE	
BY	
STARTED	
SUBMIT	
NOTED	
NO. BOOK	
AREAS CHECKED	



DATE	
BY	
NO.	
ORIGINAL SHEET	SURVEYED
NOTE BOOK	PLOTTED
	TEMP. AREAS
	CHECKED

DATE	
BY	
NO.	
ORIGINAL SHEET	SURVEYED
NOTE BOOK	PLOTTED
	TEMP. AREAS
	CHECKED

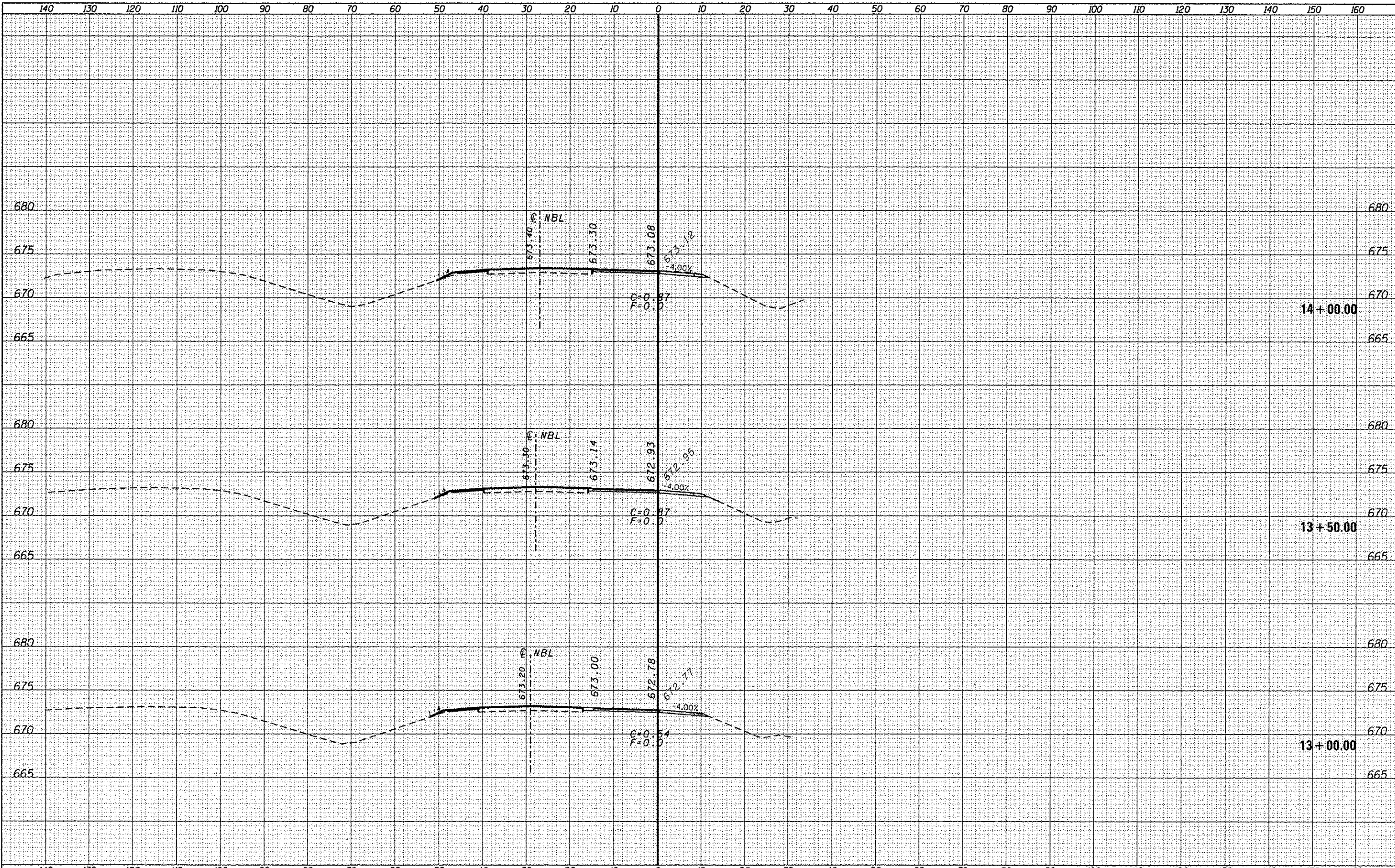
FILE NAME:	USER NAME: duncanb	DESIGNED: -	REVISED: -
c:\p\work\ps\dca\duncanb\831554\036653	eh.tmpo.dgn	DRAWN: -	REVISED: -
Default	PLOT SCALE: 20.0000 / in.	CHECKED: -	REVISED: -
	PLOT DATE: 6/10/2014	DATE: -	REVISED: -

STATE OF ILLINOIS
DEPARTMENT OF TRANSPORTATION

CROSS SECTIONS - RAMP A

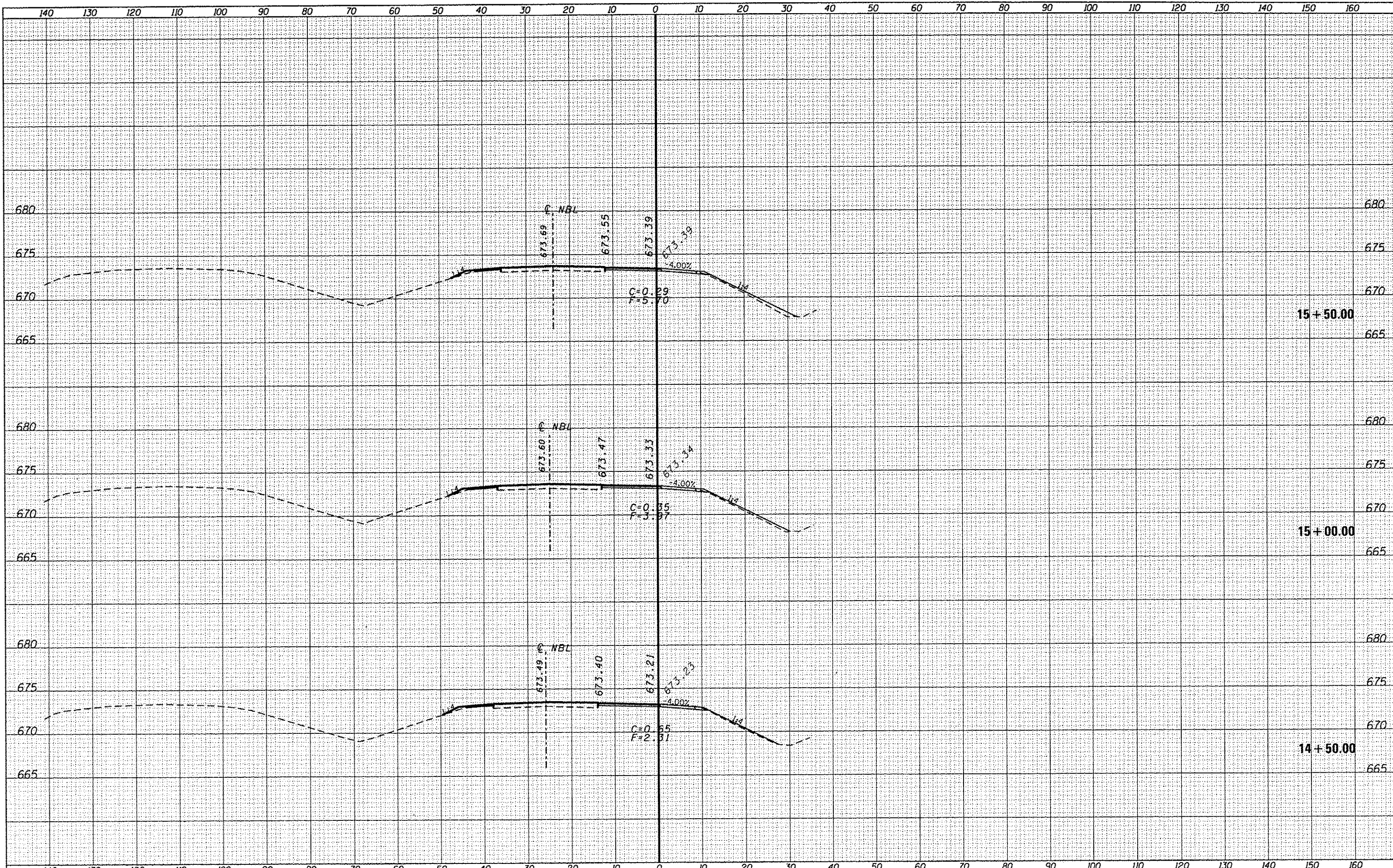
SCALE: SHEET OF SHEETS STA. 10+00.00 TO STA. 11+00.00

F.A.I. RATE.	SECTION	COUNTY	TOTAL SHEETS	SHEET NO.
57	(38-3)RS-2	IROQUOIS	186	136
CONTRACT NO. 66C53				
ILLINOIS FED. AID PROJECT				



DATE	
BY	
FINAL SURVEY	
DATE	
BY	
NOTE BOOK	
NO.	
AREAS CHECKED	

DATE	
BY	
ORIGINAL SURVEY	
DATE	
BY	
NOTE BOOK	
NO.	
AREAS CHECKED	



DATE	
BY	
DESIGNED	
DRAWN	
CHECKED	
DATE	
REVISIONS	
NO.	
AREA	
CHECKED	

DATE	
BY	
DESIGNED	
DRAWN	
CHECKED	
DATE	
REVISIONS	
NO.	
AREA	
CHECKED	

FILE NAME =	USER NAME = duncenbd
c:\pwwork\p1\idat\duncenbd\180315542\0366C53\14+50+00.dgn	
PLOT SCALE = 20.0000' / in.	
PLOT DATE = 6/10/2014	

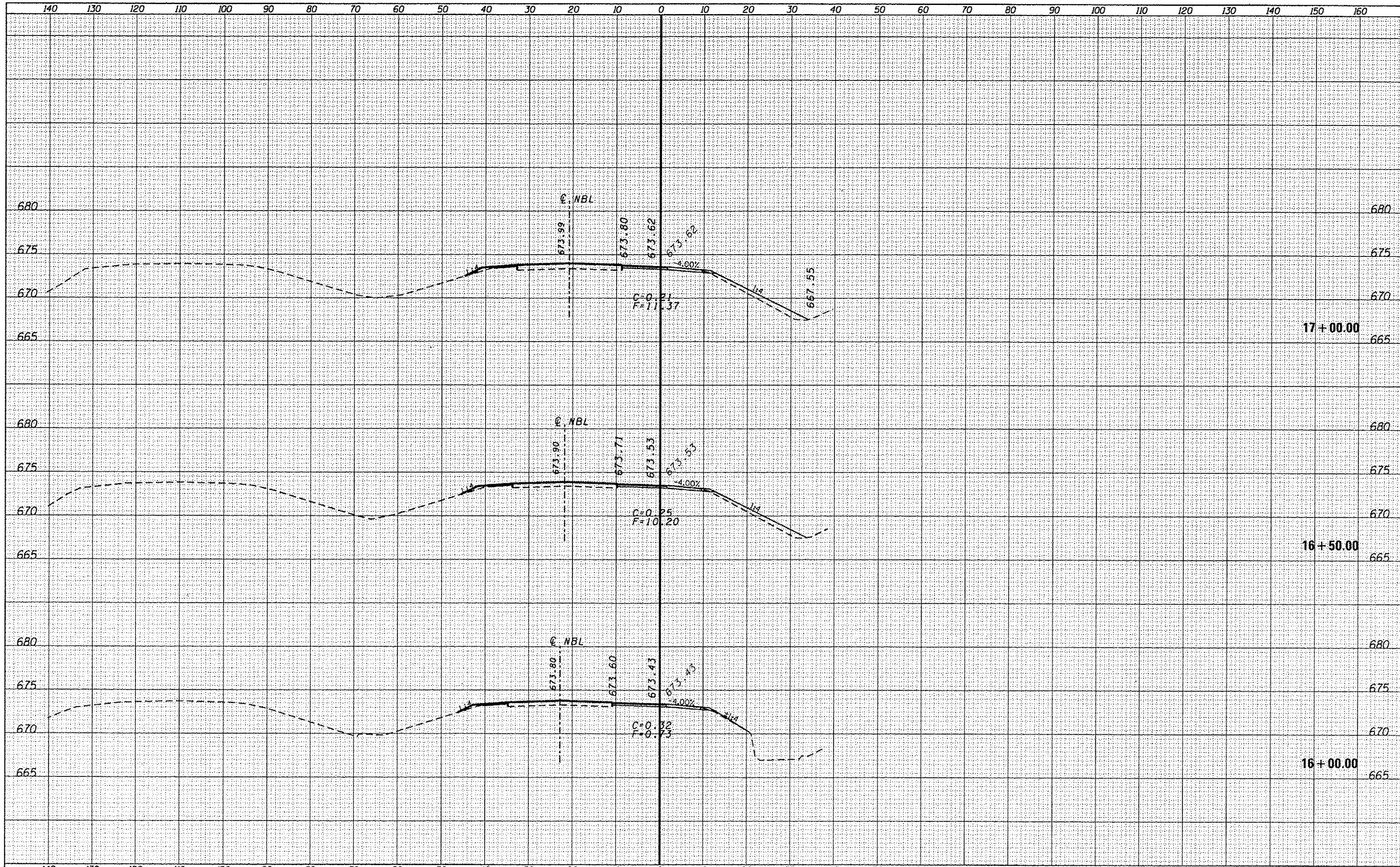
DESIGNED -	REVISED -
DRAWN -	REVISED -
CHECKED -	REVISED -
DATE -	REVISED -

**STATE OF ILLINOIS
DEPARTMENT OF TRANSPORTATION**

CROSS SECTIONS - RAMP A

SCALE: SHEET OF SHEETS STA. 14+50.00 TO STA. 15+50.00

F.A.I. RTE.	SECTION	COUNTY	TOTAL SHEETS	SHEET NO.
57	(38-3)RS-2	IRROUOIS	186	139
CONTRACT NO. 66C53			ILLINOIS FED. AID PROJECT	



BY	DATE
FINISHED SURVEY	DATE
PLOTTED	DATE
NOTE BOOK	DATE
AREAS CHECKED	DATE
AREAS CHECKED	DATE

BY	DATE
ORIGINAL SURVEY	DATE
PLOTTED	DATE
NOTE BOOK	DATE
AREAS CHECKED	DATE
AREAS CHECKED	DATE

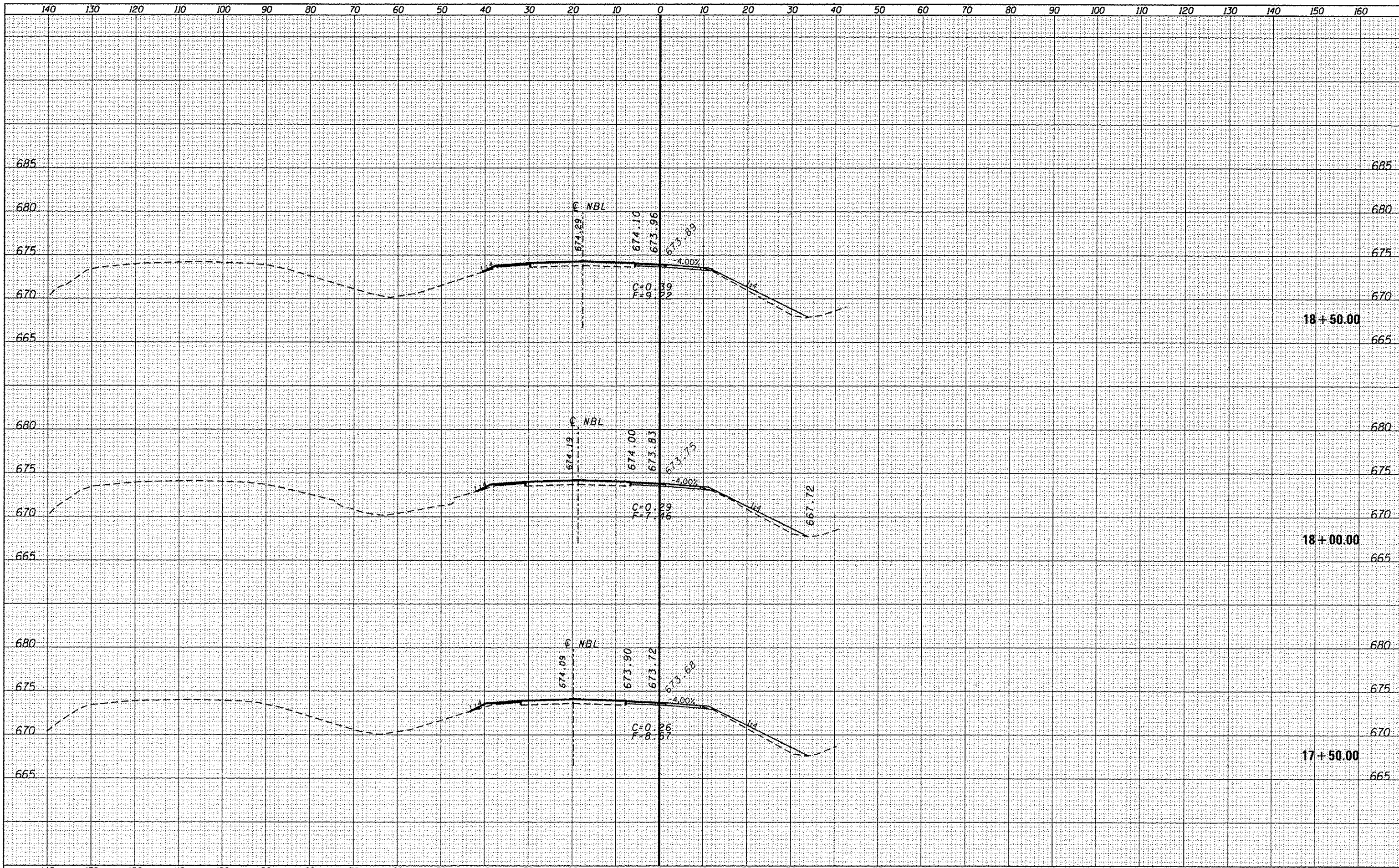
FILE NAME: c:\pwork\pwork\duncanbd\0315542\0366C53-xhtrmpa.dgn	USER NAME: duncanbd	DESIGNED -	REVISIED -
PLOT SCALE: 20.0000' / 1" (Default)	PLOT DATE: 6/18/2014	DRAWN -	REVISIED -
		CHECKED -	REVISIED -
		DATE -	REVISIED -

STATE OF ILLINOIS
DEPARTMENT OF TRANSPORTATION

CROSS SECTIONS - RAMP A

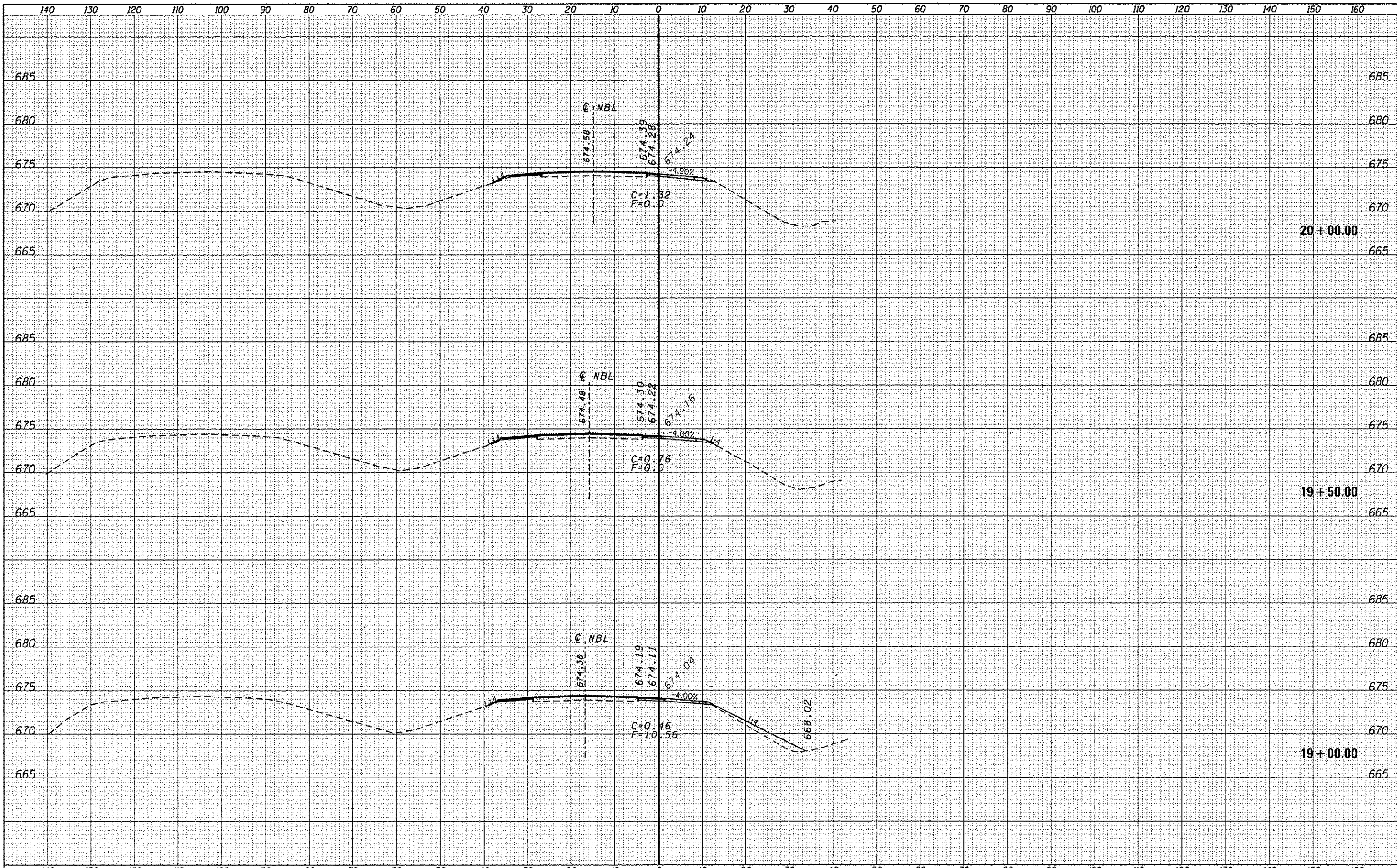
F.A.I. RTE. 57	SECTION (38-3RS-2)	COUNTY IROUOIS	TOTAL SHEETS 186	SHEET NO. 140
			CONTRACT NO. 66C53	
ILLINOIS FED. AID PROJECT				

SCALE: SHEET OF SHEETS STA. 16+00.00 TO STA. 17+00.00



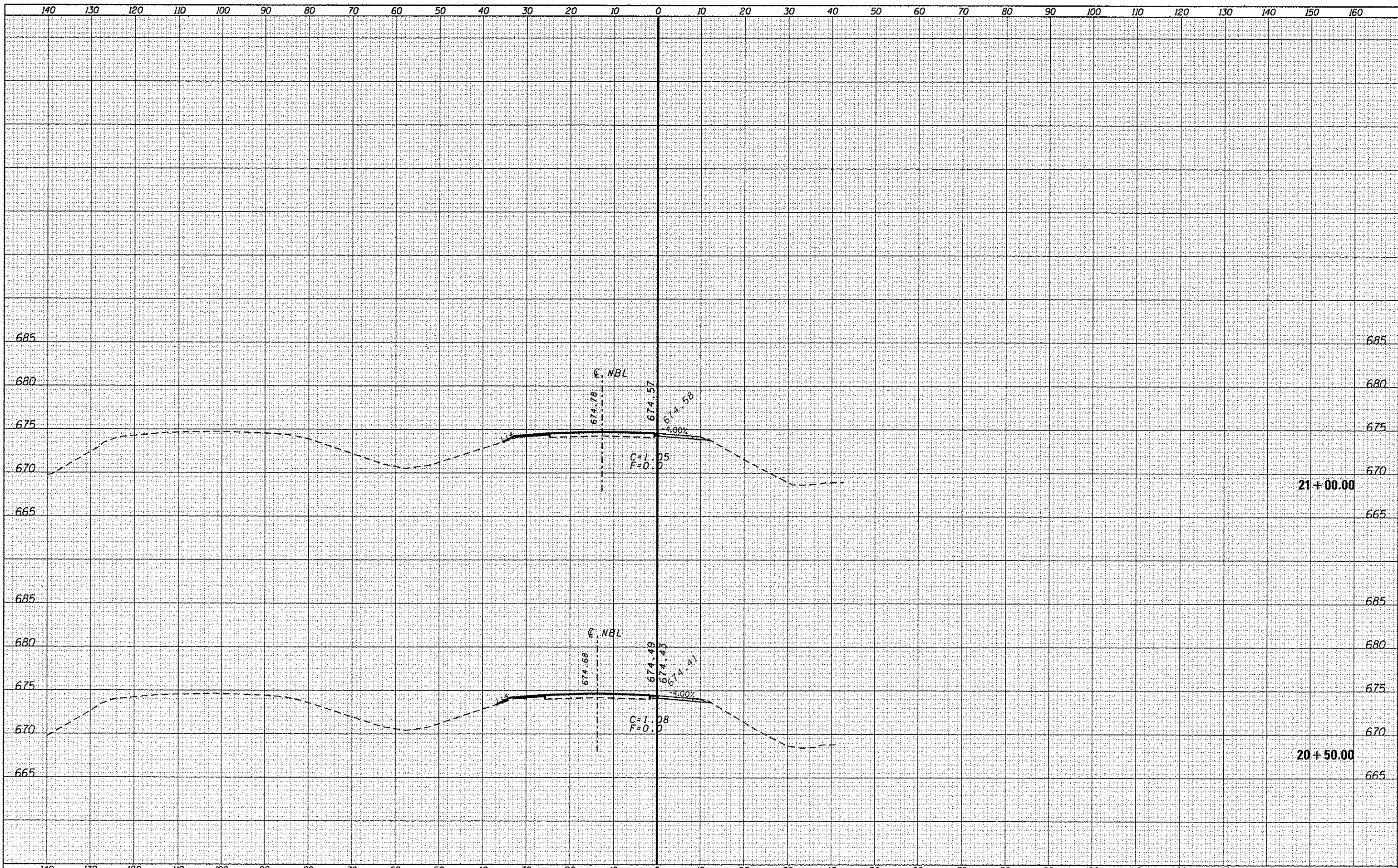
DATE	
BY	
FINAL SURVEY	
STARTED	
NOTE BOOK	
AREAS CHECKED	

DATE	
BY	
ORIGINAL SURVEY	
PROPOSED	
NOTE BOOK	
AREAS CHECKED	



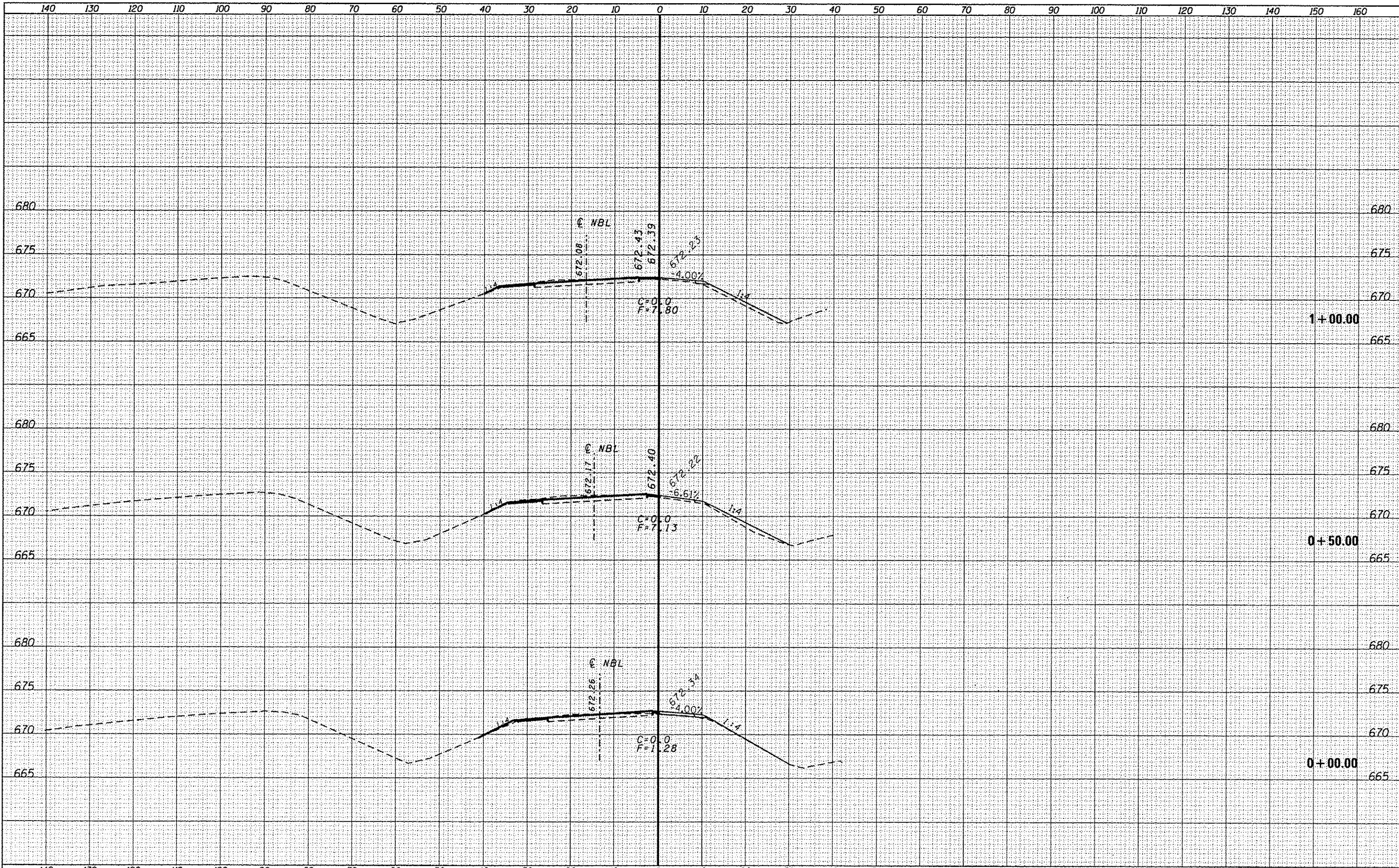
DATE	
BY	
DESIGNED	
DRAWN	
CHECKED	
DATE	

DATE	
BY	
DESIGNED	
DRAWN	
CHECKED	
DATE	



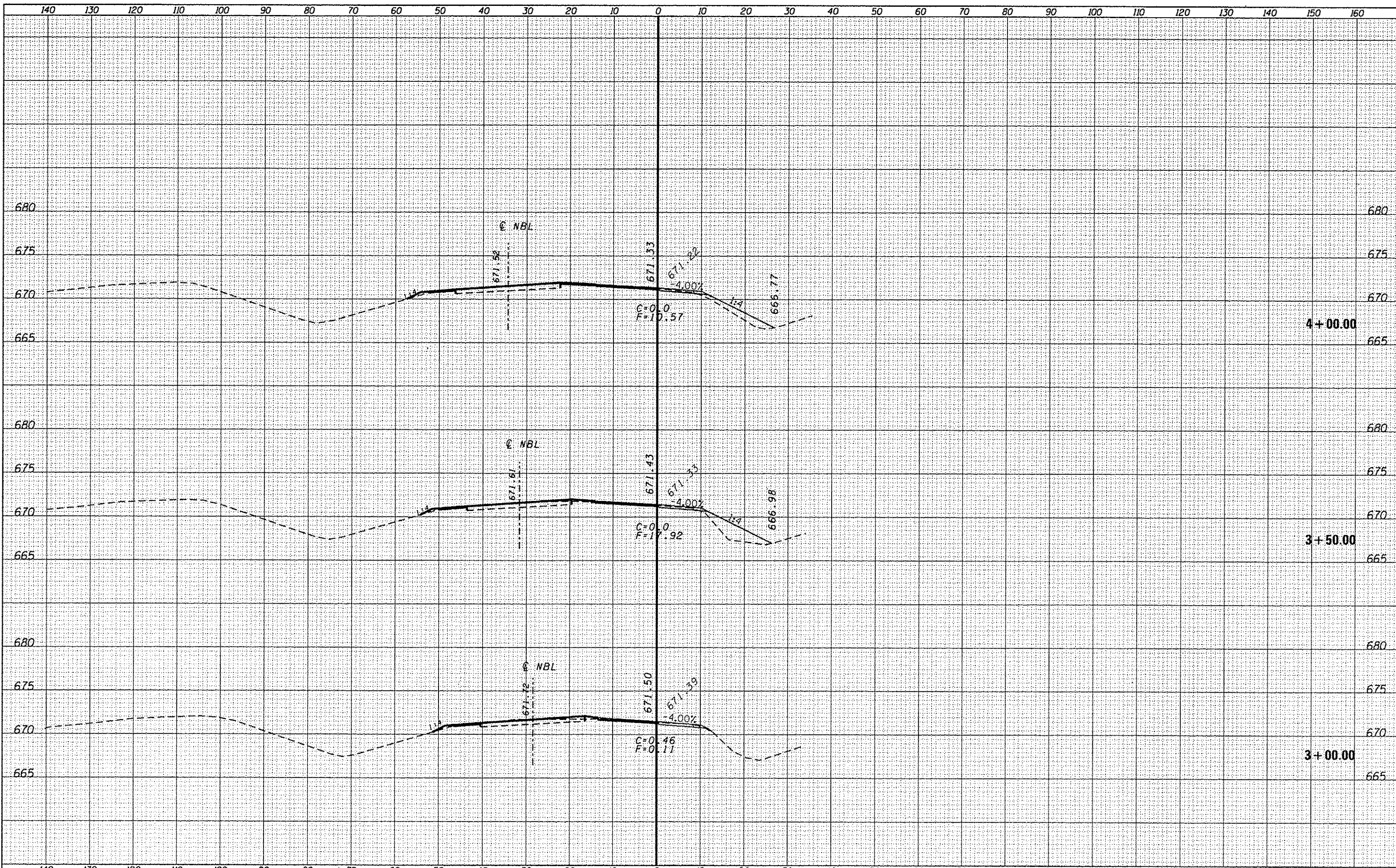
DATE	
BY	
FINAL SURVEY	
SORTED	
TEMPLATE	
NOTE BOOK	
AREAS CHECKED	

DATE	
BY	
ORIGINAL SURVEY	
PLOTTED	
TEMPLATE	
NOTE BOOK	
AREAS CHECKED	



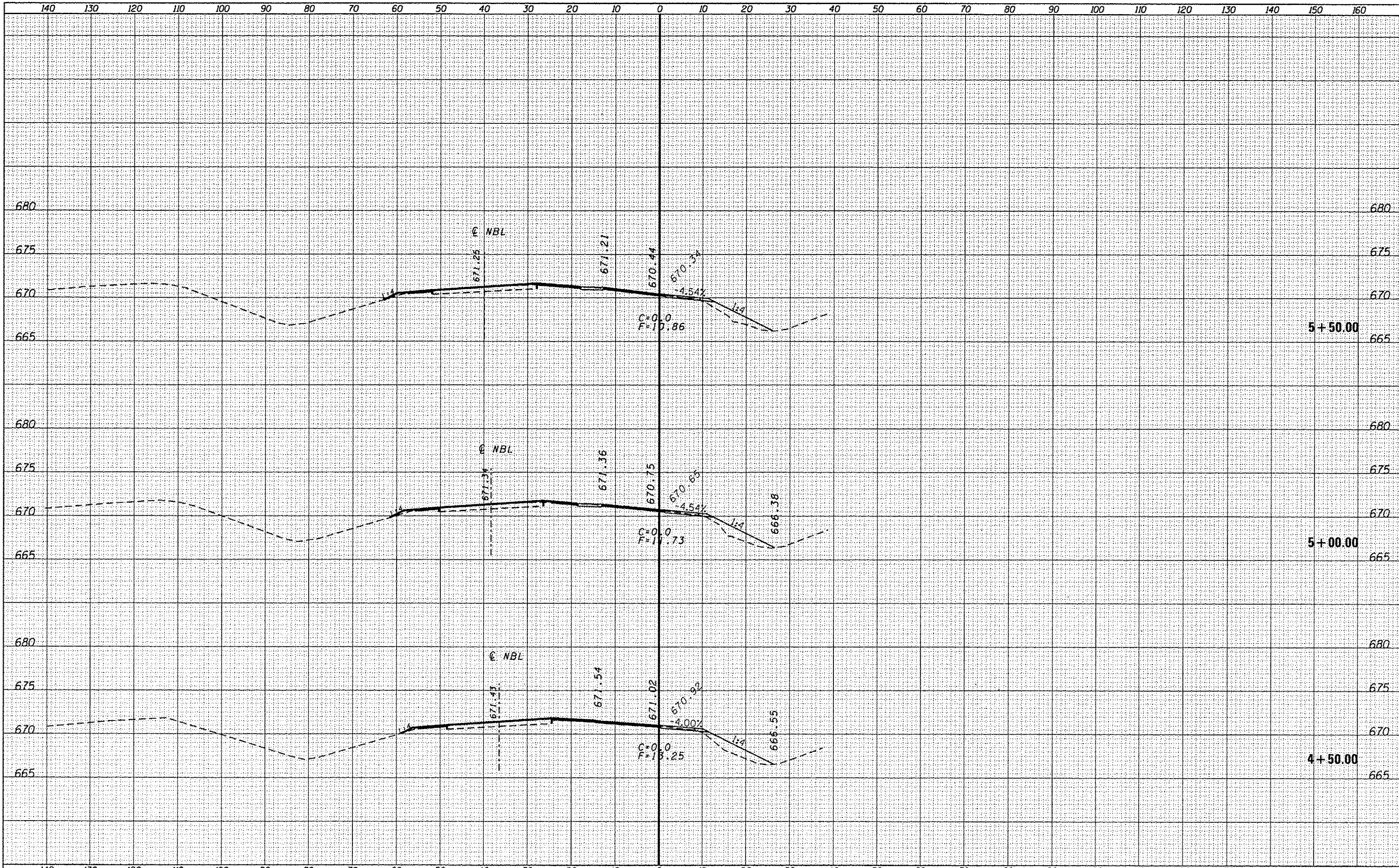
DATE	
BY	
DESIGNED	
DRAWN	
CHECKED	
DATE	
FILED	
NO.	

DATE	
BY	
DESIGNED	
DRAWN	
CHECKED	
DATE	
FILED	
NO.	



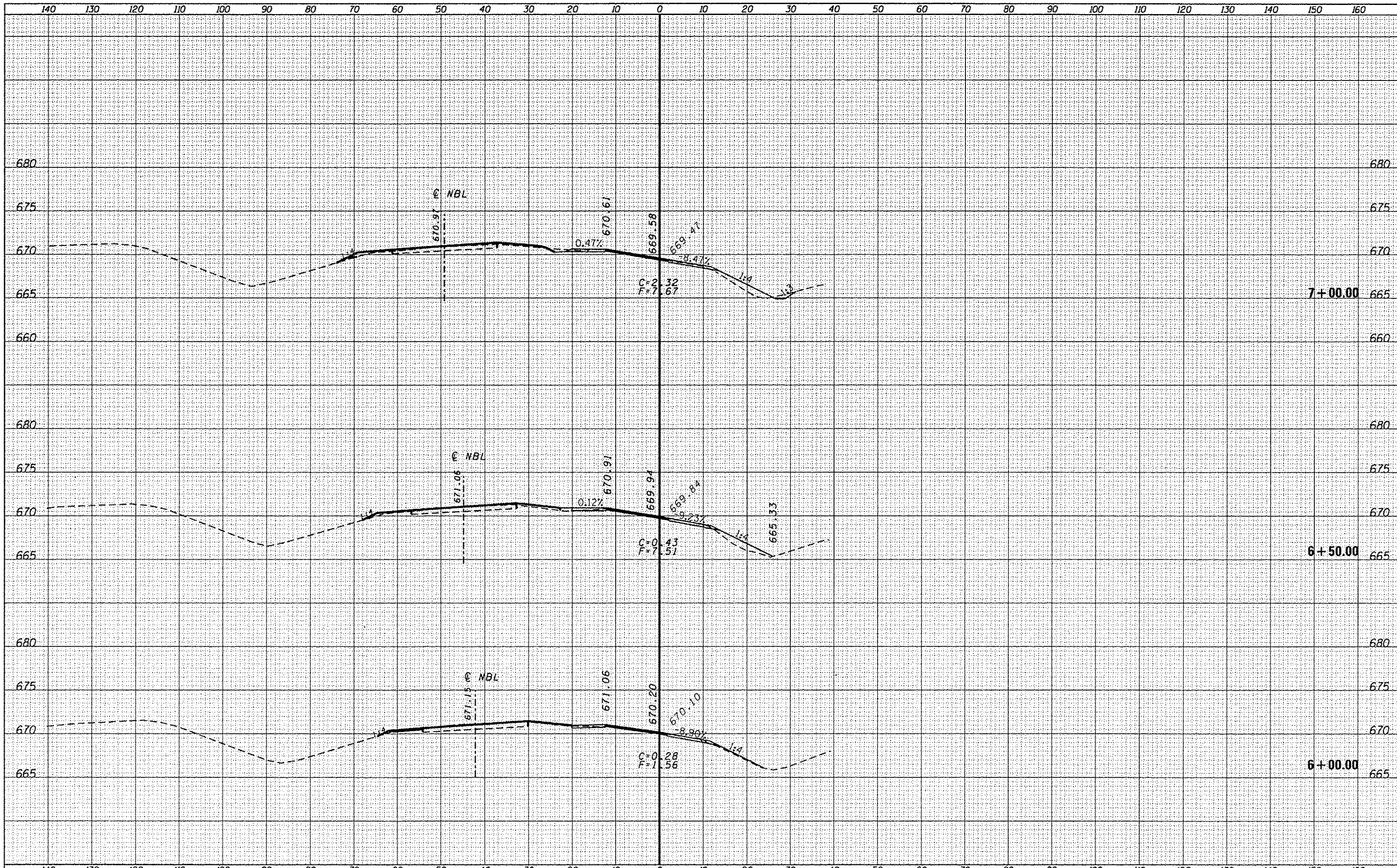
BT	DATE
SURVEYED	
PLOTTED	
TEMPLATE	
NOTE BOOK	
AREAS	
CHECKED	
NO.	

BT	DATE
SURVEYED	
PLOTTED	
TEMPLATE	
NOTE BOOK	
AREAS	
CHECKED	
NO.	



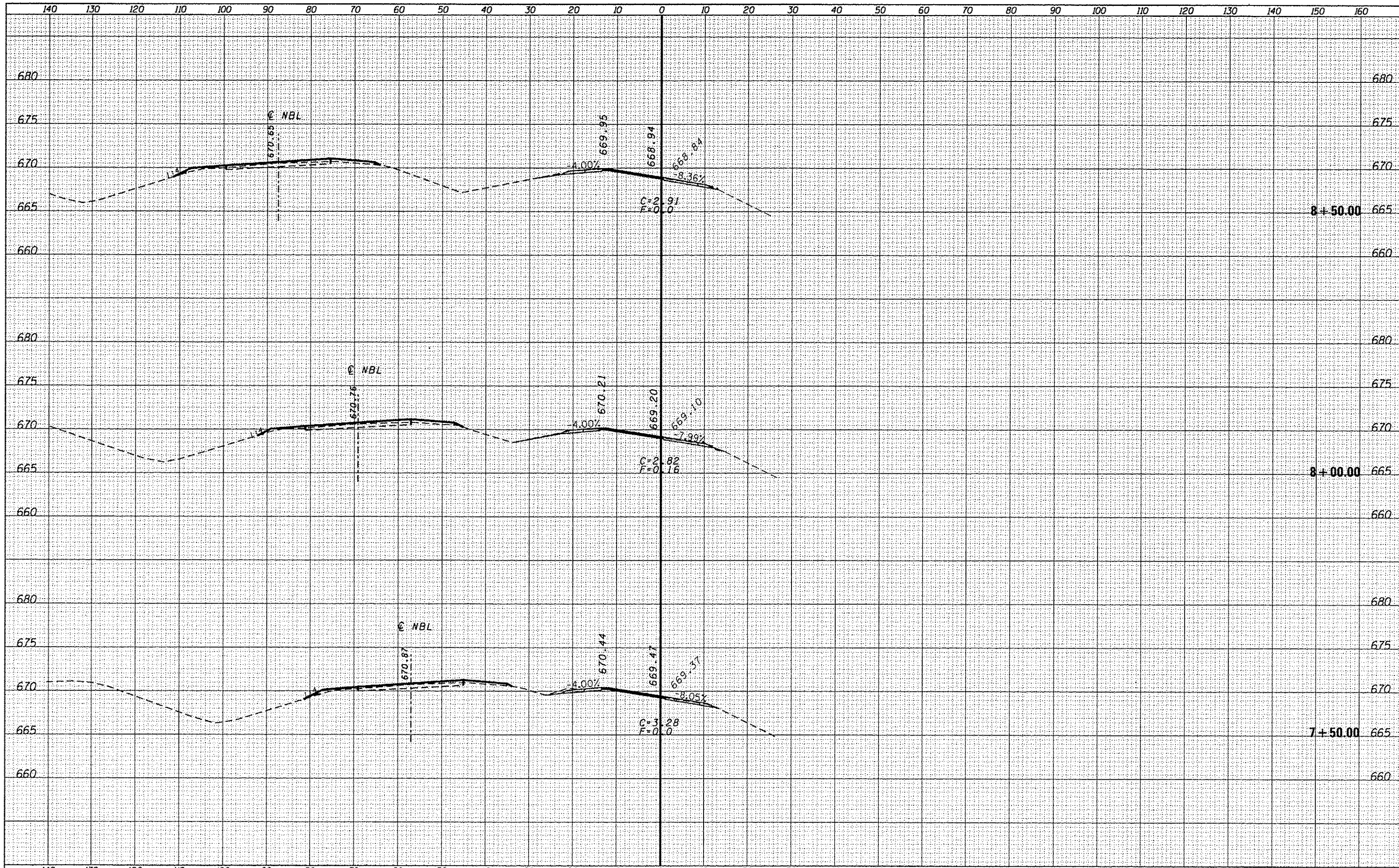
DATE	
BY	
FINAL SURVEY	
PROFILES	
TEMPLATE	
NOTE BOOK	
AREAS CHECKED	
NO.	

DATE	
BY	
ORIGINAL SURVEY	
PROFILES	
TEMPLATE	
NOTE BOOK	
AREAS CHECKED	
NO.	



DATE	
BY	
SAVED	
TEMPL	
AREAS	
CHECKED	
FINAL SURVEY	
NOTE BOOK	
NO.	

DATE	
BY	
SAVED	
TEMPL	
AREAS	
CHECKED	
ORIGINAL SURVEY	
NOTE BOOK	
NO.	

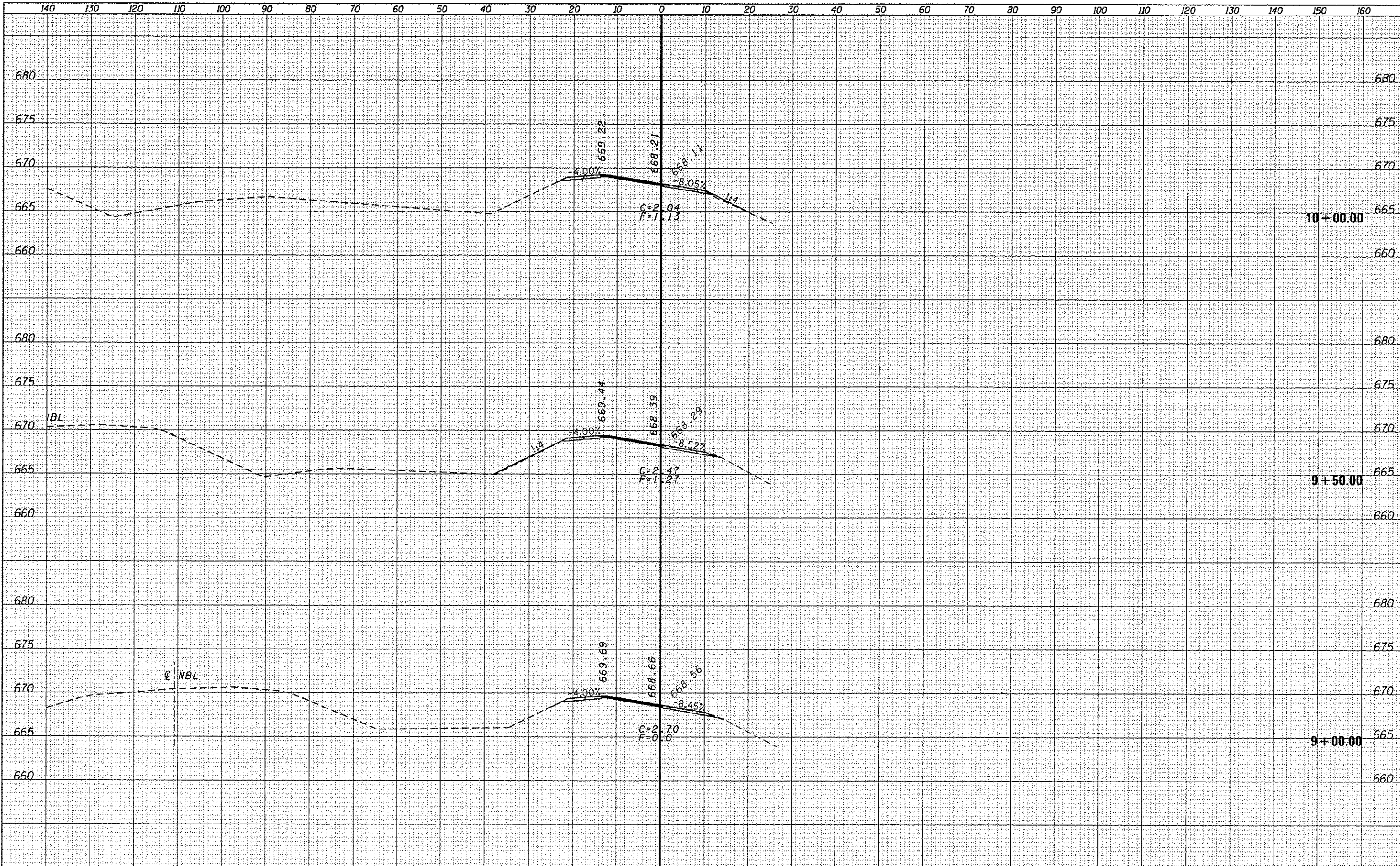


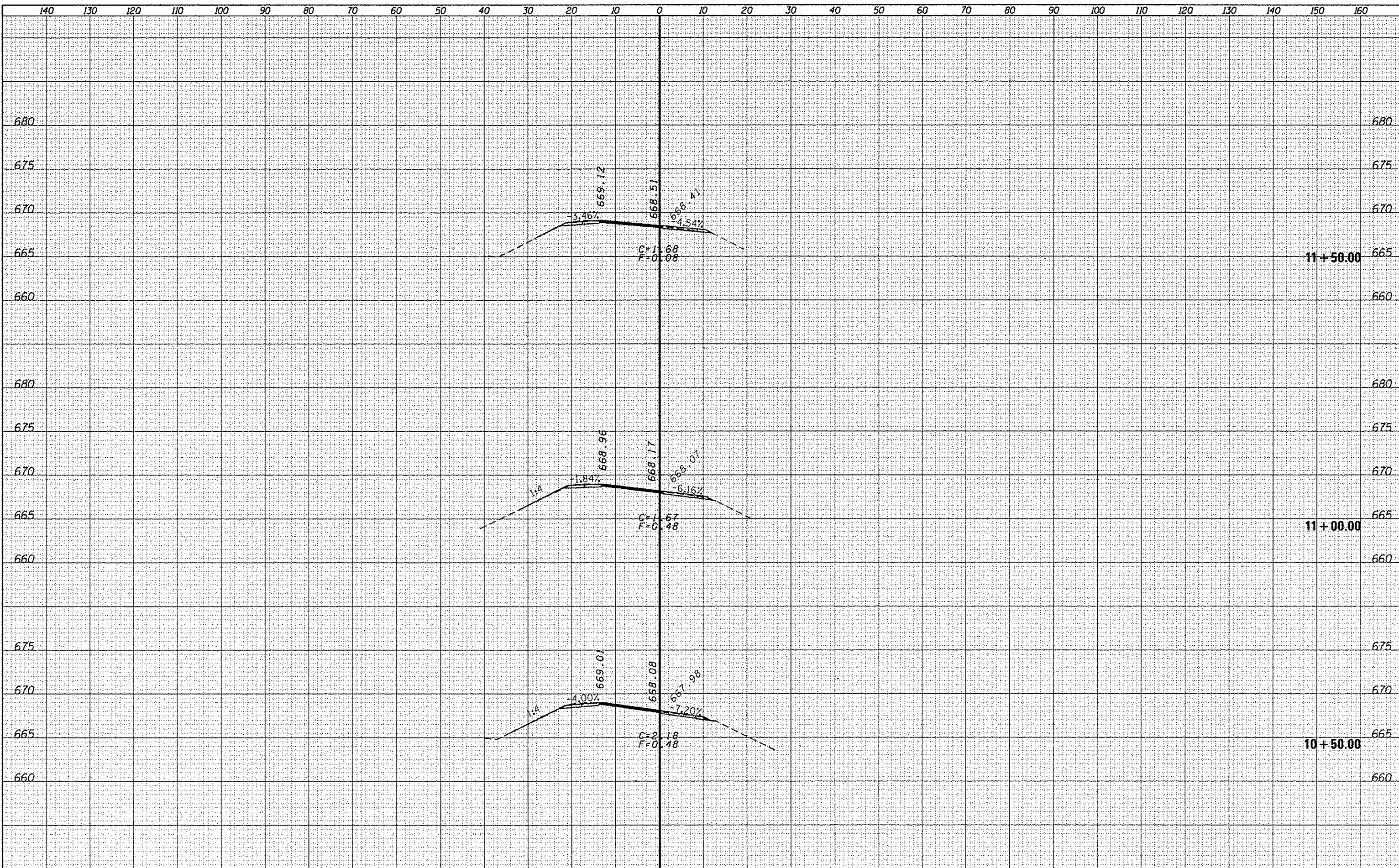
DATE	
BY	
SPRINT	
DATE	
NO. BOOK	
AREAS CHECKED	

DATE	
BY	
SPRINT	
DATE	
NO. BOOK	
AREAS CHECKED	

DATE	
BY	
FINAL SURVEY	
SURVEY PLOTTED	
NOTE BOOK	
AREAS CHECKED	

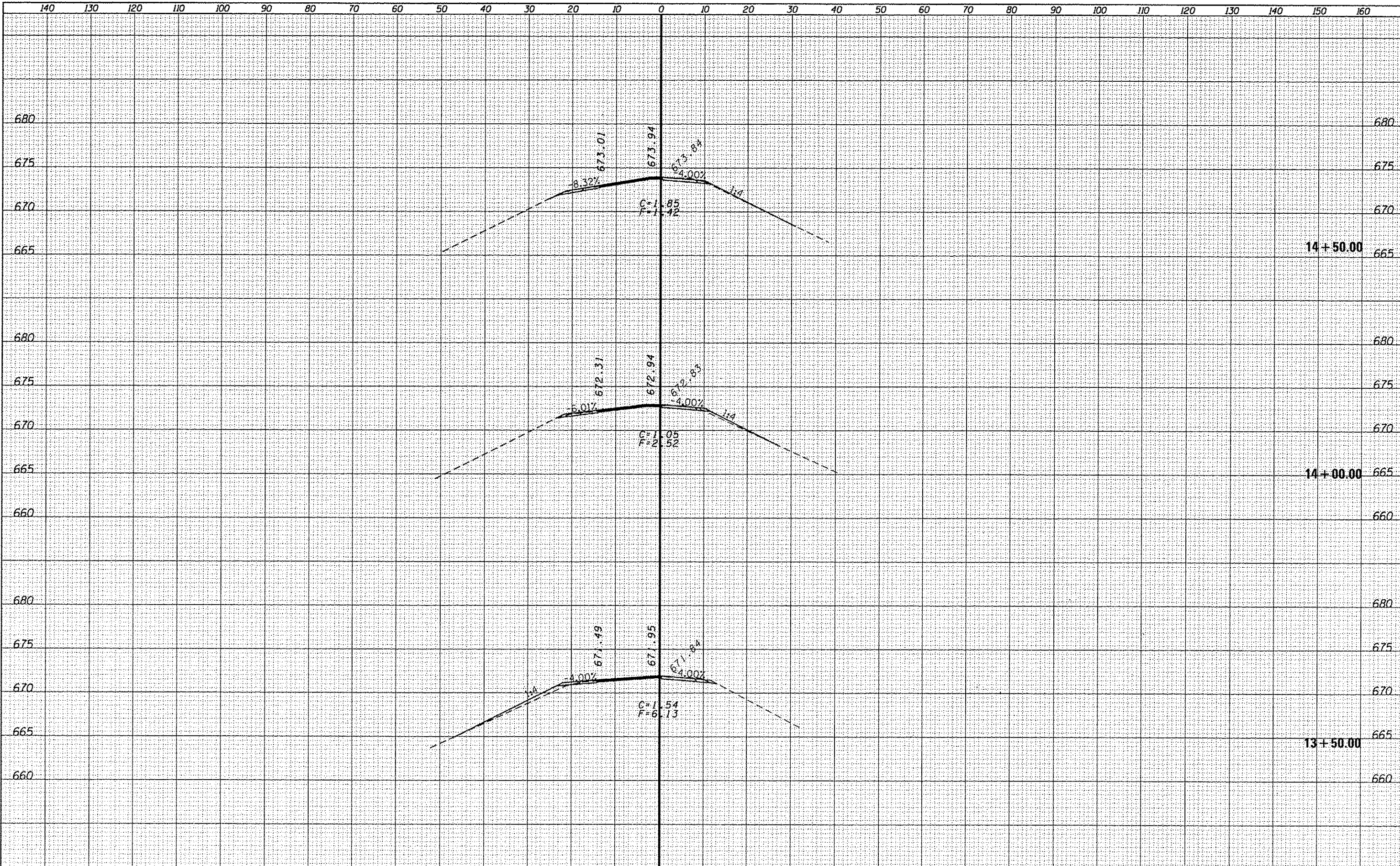
DATE	
BY	
ORIGINAL SURVEY	
SURVEY PLOTTED	
NOTE BOOK	
AREAS CHECKED	





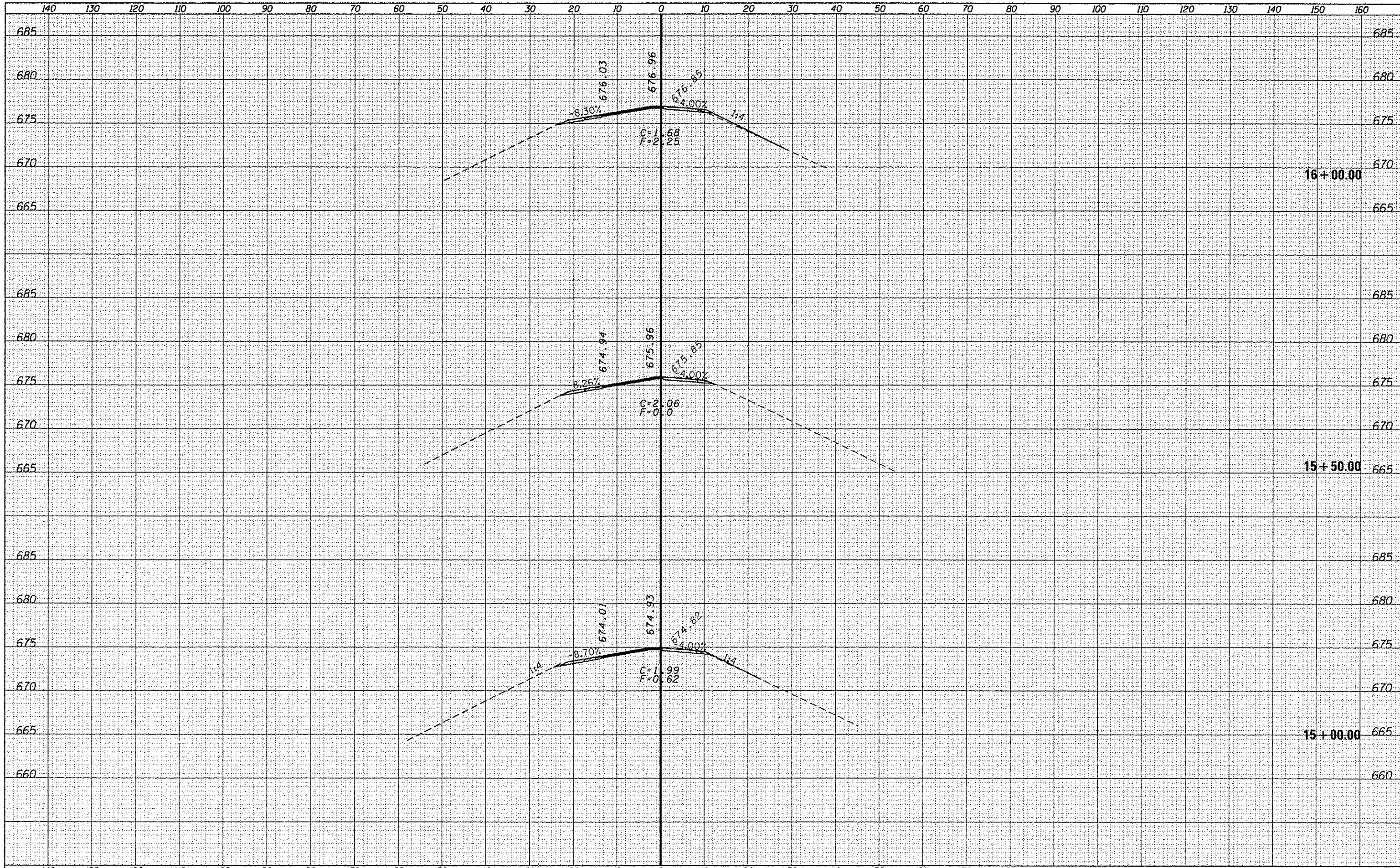
DATE: _____
 BY: _____
 SURVEYED: _____
 CHECKED: _____
 TYPED: _____
 NOTE BOOK: _____
 AREAS CHECKED: _____

DATE: _____
 BY: _____
 SURVEYED: _____
 CHECKED: _____
 TYPED: _____
 NOTE BOOK: _____
 AREAS CHECKED: _____



DATE	
BY	
STARTED	
SURVEY	
PROFILES	
TEMPLATES	
AREAS	
CHECKED	
NO.	

DATE	
BY	
STARTED	
SURVEY	
PROFILES	
TEMPLATES	
AREAS	
CHECKED	
NO.	

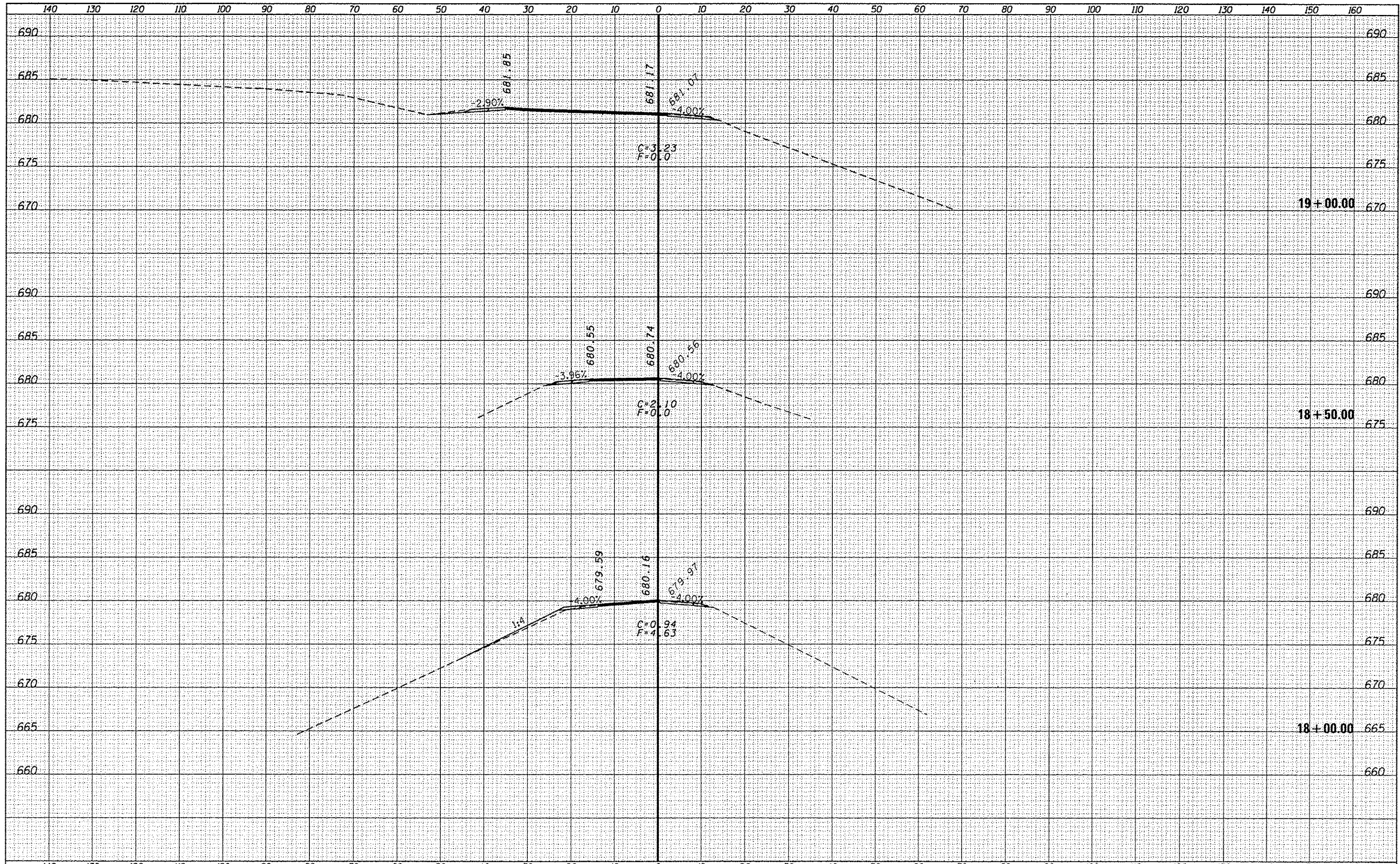


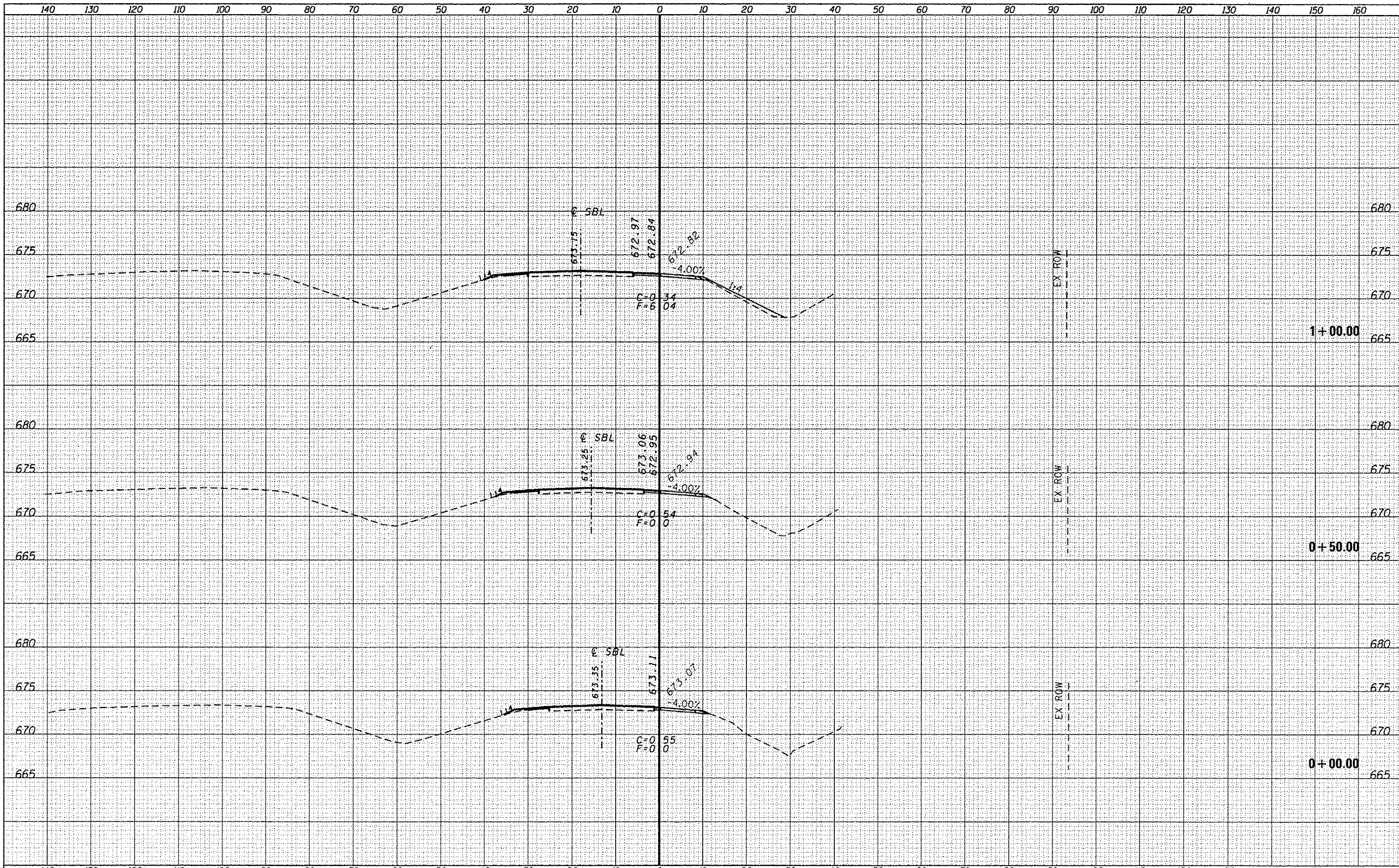
DATE	
BY	
STARTED	
STOPPED	
TIME	
DATE	
AREAS	
CHECKED	
NO.	

DATE	
BY	
STARTED	
STOPPED	
TIME	
DATE	
AREAS	
CHECKED	
NO.	

DATE	
BY	
SELECTED	
PLOTTED	
TEMPLATE	
AREAS	
CHECKED	
FINAL SURVEY	
NOTE BOOK	
NO.	

DATE	
BY	
SELECTED	
PLOTTED	
TEMPLATE	
AREAS	
CHECKED	
ORIGINAL SURVEY	
NOTE BOOK	
NO.	



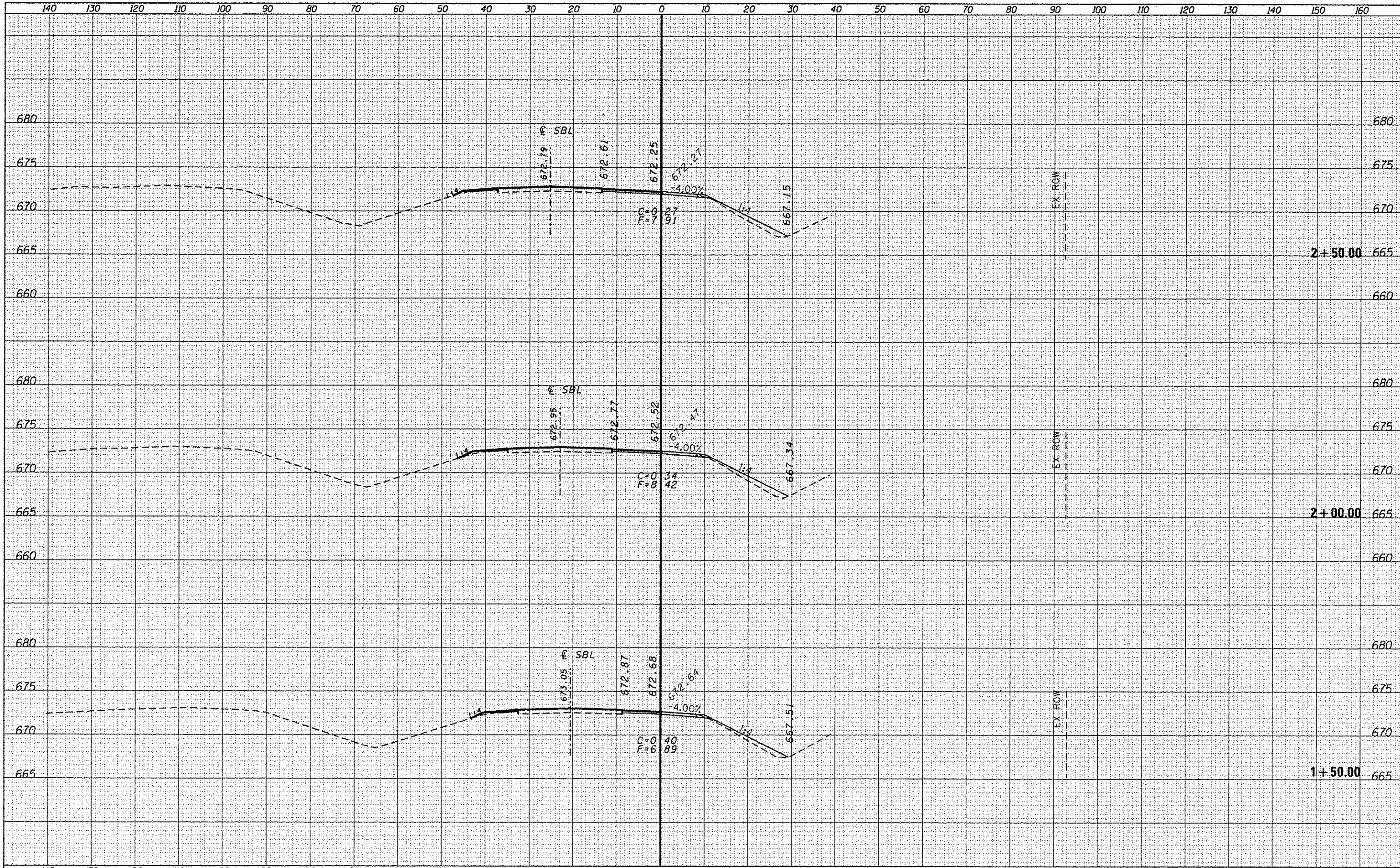


DATE	
BY	
NO.	
AREAS CHECKED	
AREAS	
TEMPLATE	
PLOTTED	
SURVEY	
FINAL	

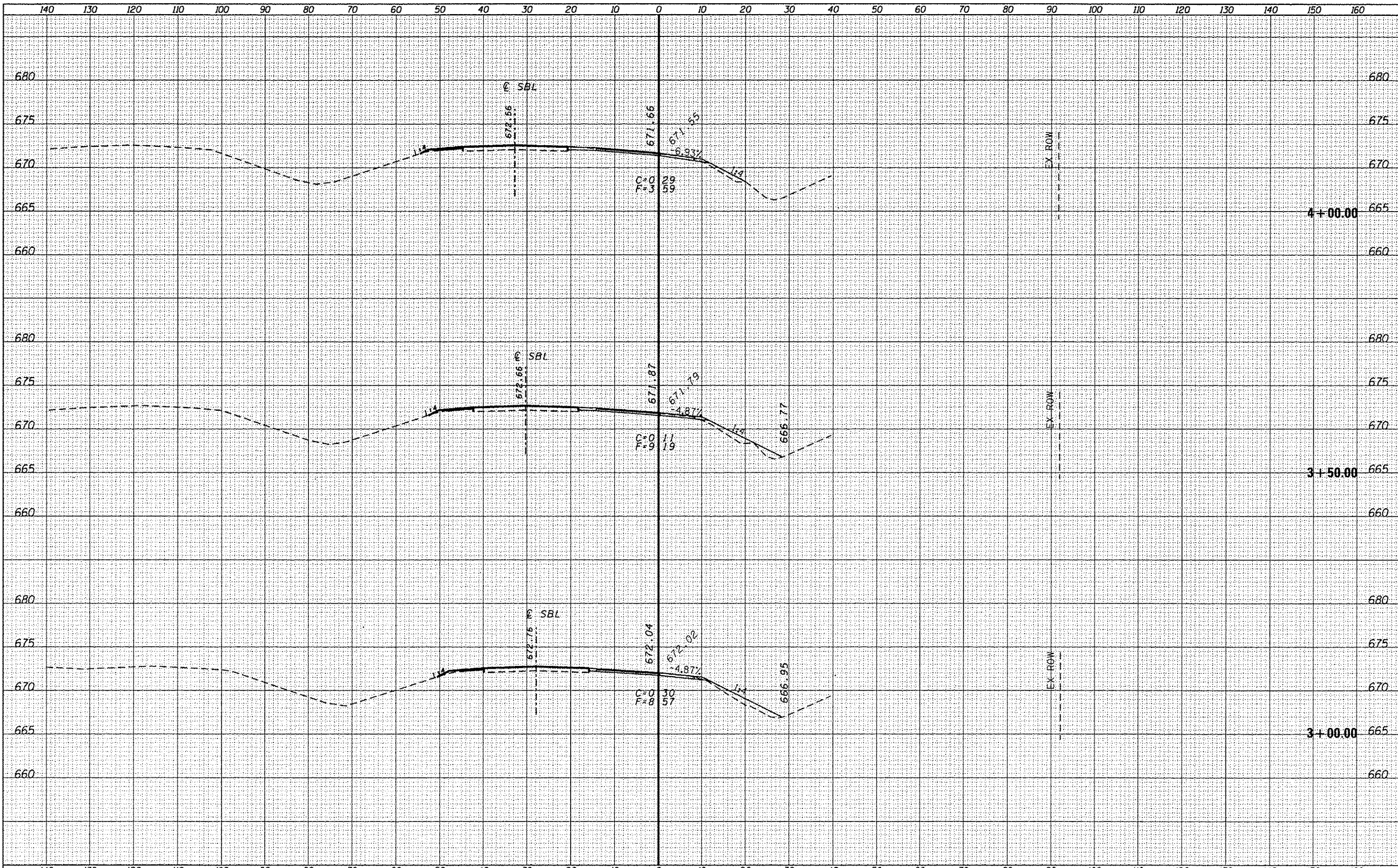
DATE	
BY	
NO.	
AREAS CHECKED	
AREAS	
TEMPLATE	
PLOTTED	
SURVEY	
ORIGINAL	

DATE	
BY	
FINAL SURVEY	
NOTED	
TEMPLATE	
AREAS	
CHECKED	
NO.	

DATE	
BY	
ORIGINAL SURVEY	
NOTED	
TEMPLATE	
AREAS	
CHECKED	
NO.	

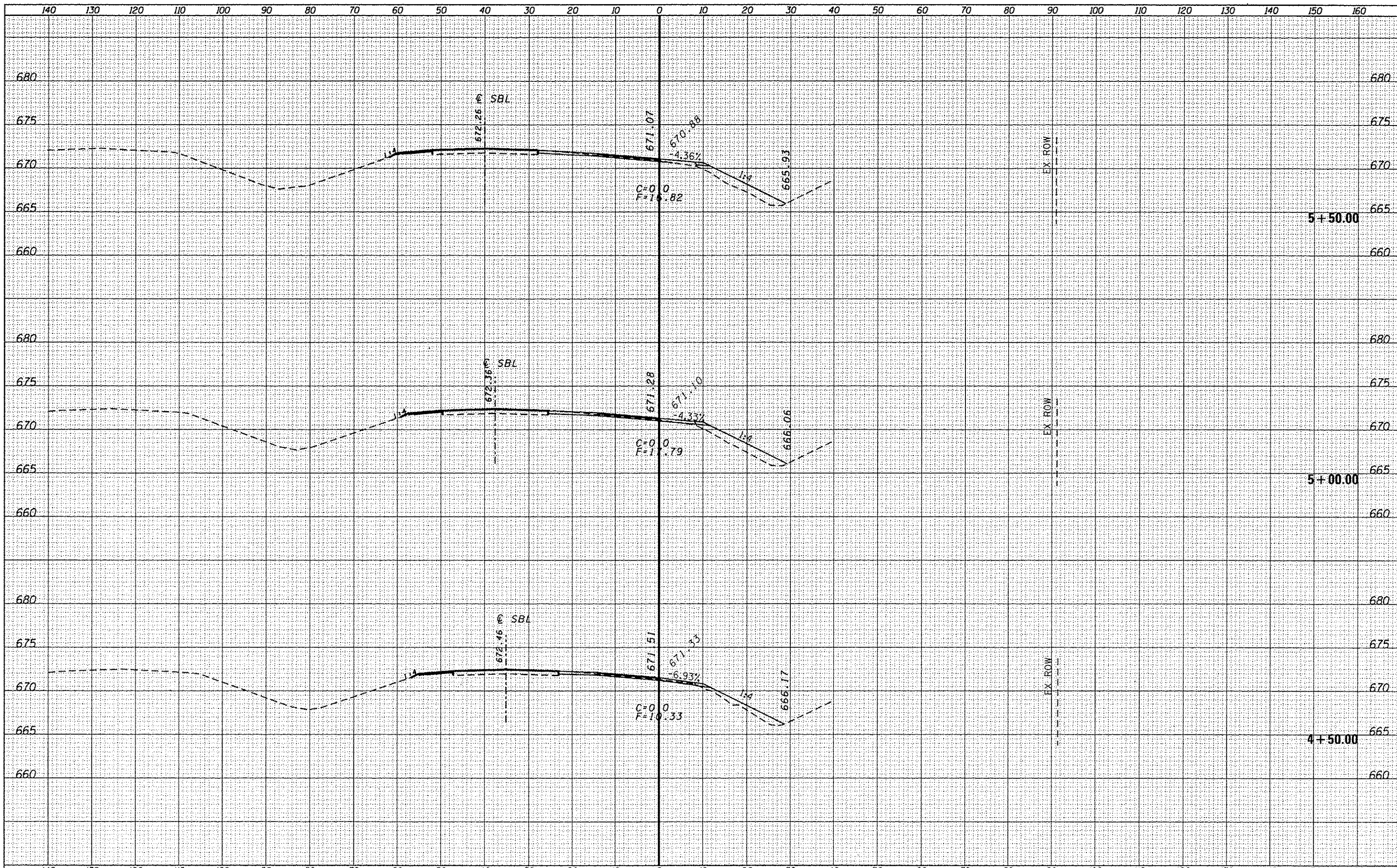


FILE NAME :	USER NAME :	DESIGNED -	REVISED -	STATE OF ILLINOIS DEPARTMENT OF TRANSPORTATION	CROSS SECTIONS - RAMP C				F.A.I. RTE.	SECTION	COUNTY	TOTAL SHEETS	SHEET NO.
o:\p\work\p\sidot\duncantid\0315542\0366C53-right.rmp.dgn	duncantid	DRAWN -	REVISED -						57	(38-3)RS-2	IRROUOIS	186	159
Plot Scale = 20.0000' / 1" =		CHECKED -	REVISED -		CONTRACT NO. 66C53								
Plot Date = 6/10/2014		DATE -	REVISED -		ILLINOIS FED. AID PROJECT								
Default				SCALE:	SHEET	OF	SHEETS	STA. 1+50.00	TO STA. 2+50.00				



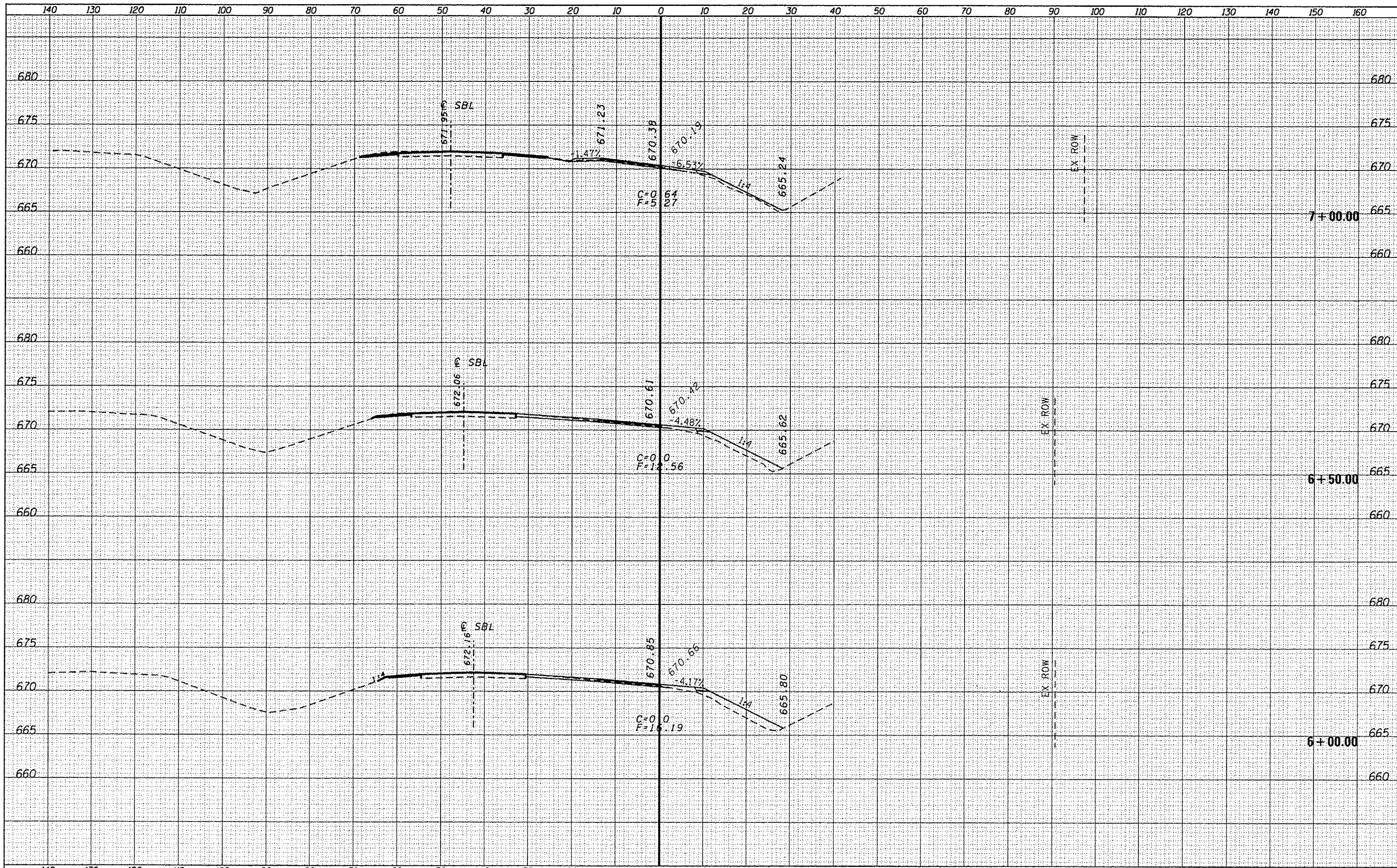
DATE	
BY	
EXISTING	
PROPOSED	
PLOTTED	
TEMPLATE	
AREAS	
CHECKED	
FINAL	
SURVEY	
NOTE BOOK	
NO.	

DATE	
BY	
EXISTING	
PROPOSED	
PLOTTED	
TEMPLATE	
AREAS	
CHECKED	
ORIGINAL	
SURVEY	
NOTE BOOK	
NO.	



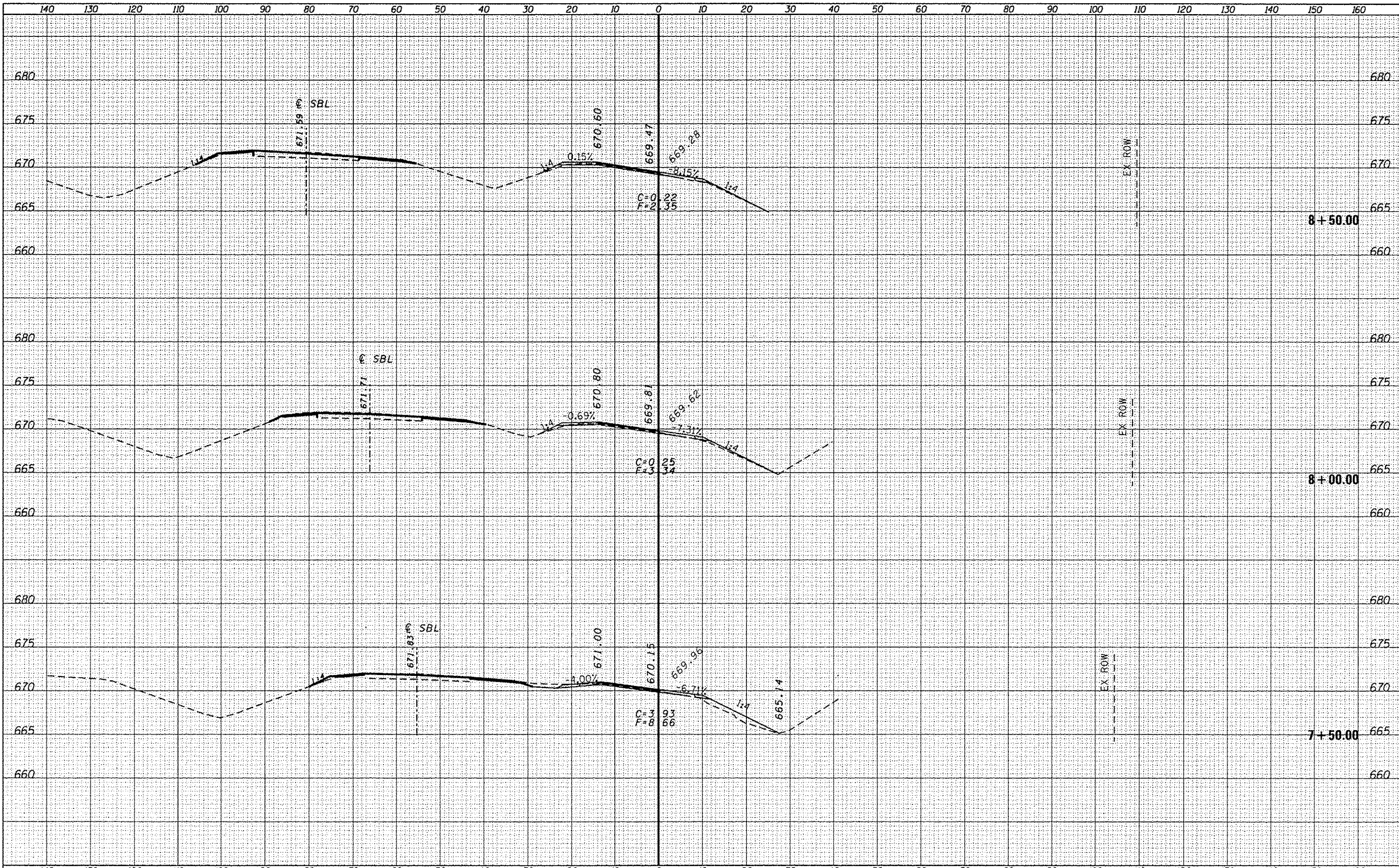
DATE	
BY	
STARTED	
STOPPED	
FINAL SURVEY	
NOTE BOOK	
AREAS CHECKED	

DATE	
BY	
STARTED	
STOPPED	
ORIGINAL SURVEY	
NOTE BOOK	
AREAS CHECKED	



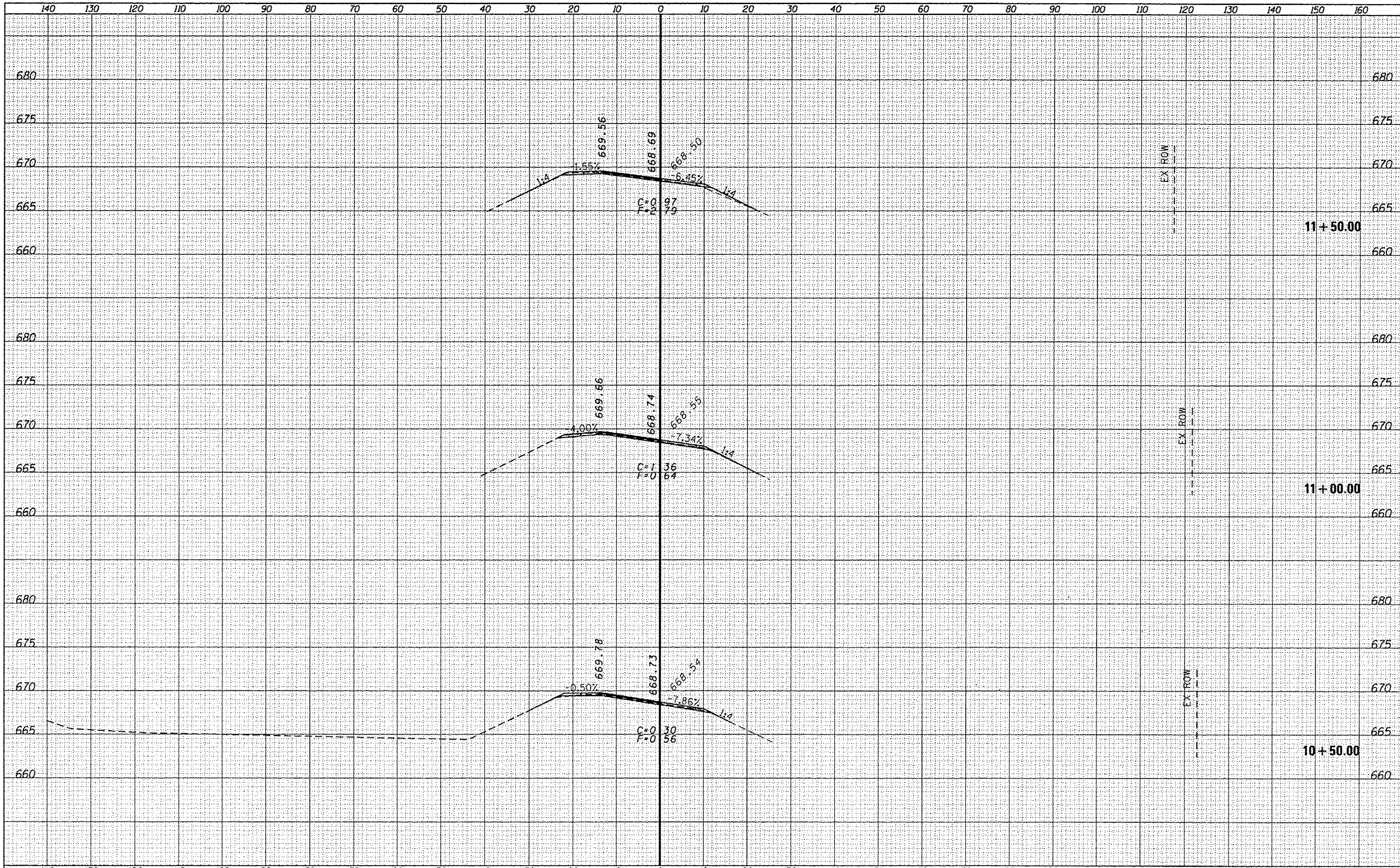
DATE	
BY	
DESIGNED	
DRAWN	
CHECKED	
DATE	
FILE NAME	
USER NAME	
DESIGNED	
DRAWN	
CHECKED	
DATE	
FILE NAME	
USER NAME	
DESIGNED	
DRAWN	
CHECKED	
DATE	

DATE	
BY	
DESIGNED	
DRAWN	
CHECKED	
DATE	
FILE NAME	
USER NAME	
DESIGNED	
DRAWN	
CHECKED	
DATE	
FILE NAME	
USER NAME	
DESIGNED	
DRAWN	
CHECKED	
DATE	



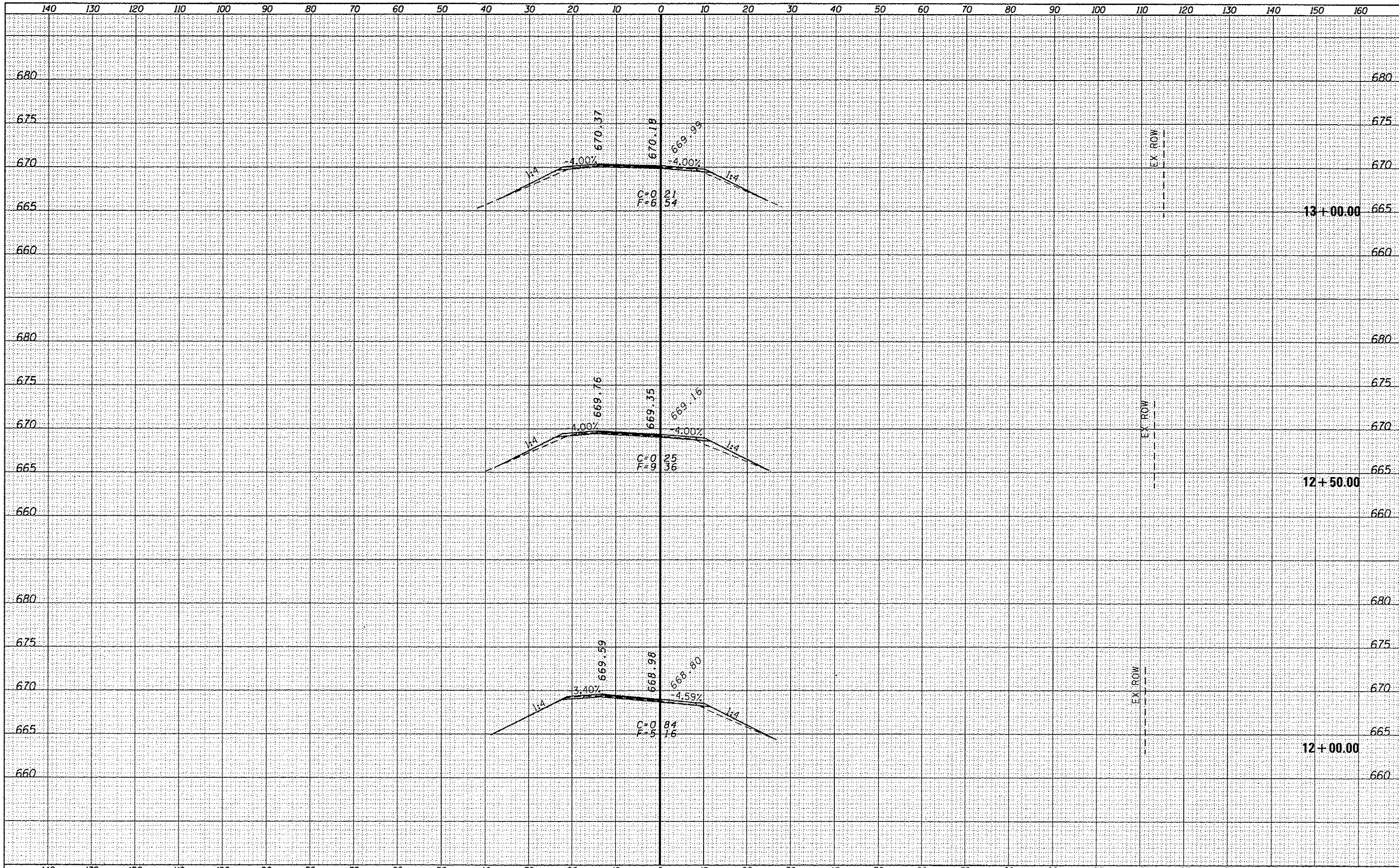
DATE	
BY	
DESIGNED	
DRAWN	
CHECKED	
DATE	
USER NAME	
FILE NAME	
PROJECT	
SECTION	
COUNTY	
TOTAL SHEETS	
SHEET NO.	
CONTRACT NO.	
PROJECT	

DATE	
BY	
DESIGNED	
DRAWN	
CHECKED	
DATE	
USER NAME	
FILE NAME	
PROJECT	
SECTION	
COUNTY	
TOTAL SHEETS	
SHEET NO.	
CONTRACT NO.	
PROJECT	



DATE	
BY	
FINAL SURVEY	
NOTED	
TEMPLATE	
AREAS	
CHECKED	

DATE	
BY	
ORIGINAL SURVEY	
NOTED	
TEMPLATE	
AREAS	
CHECKED	

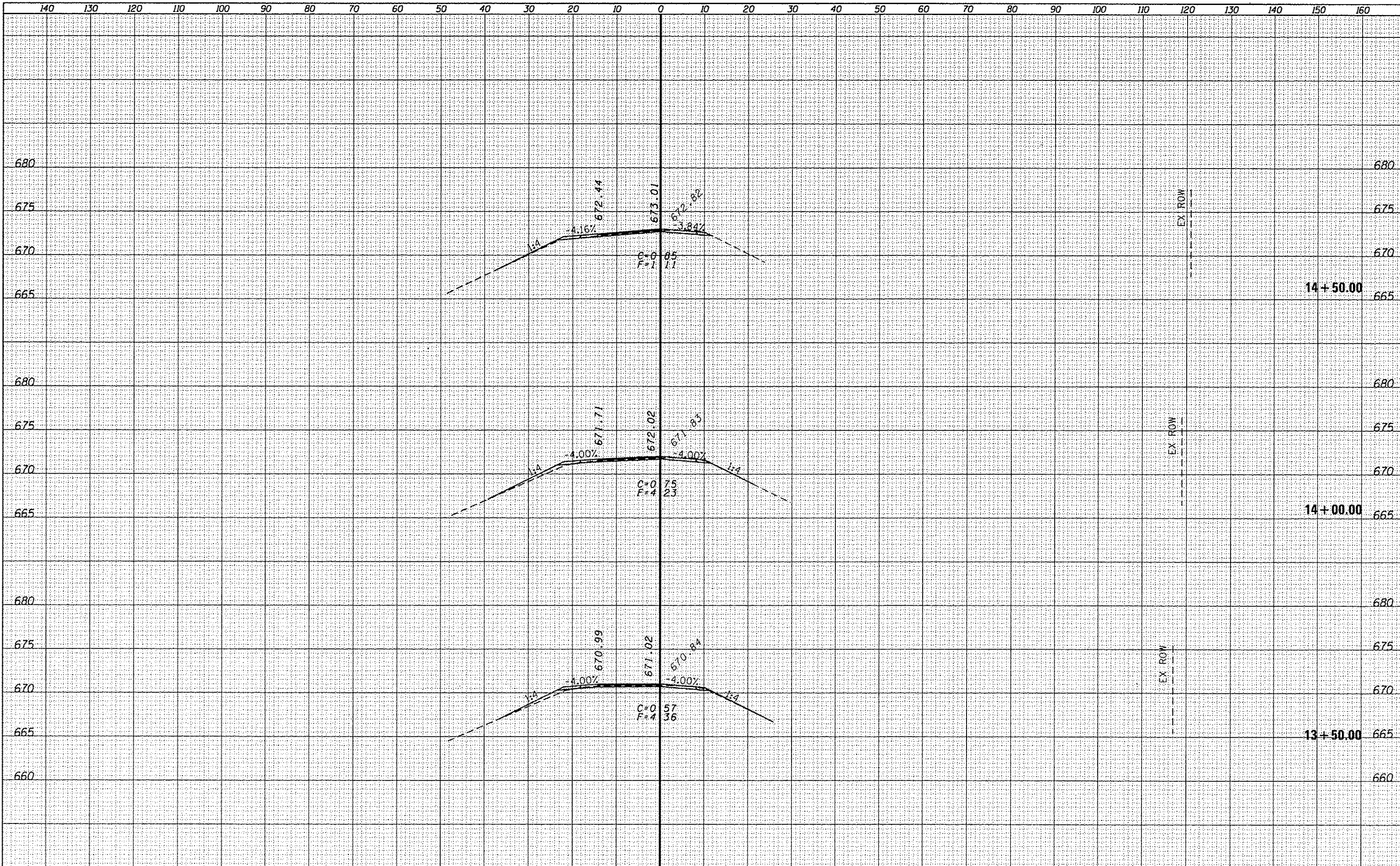


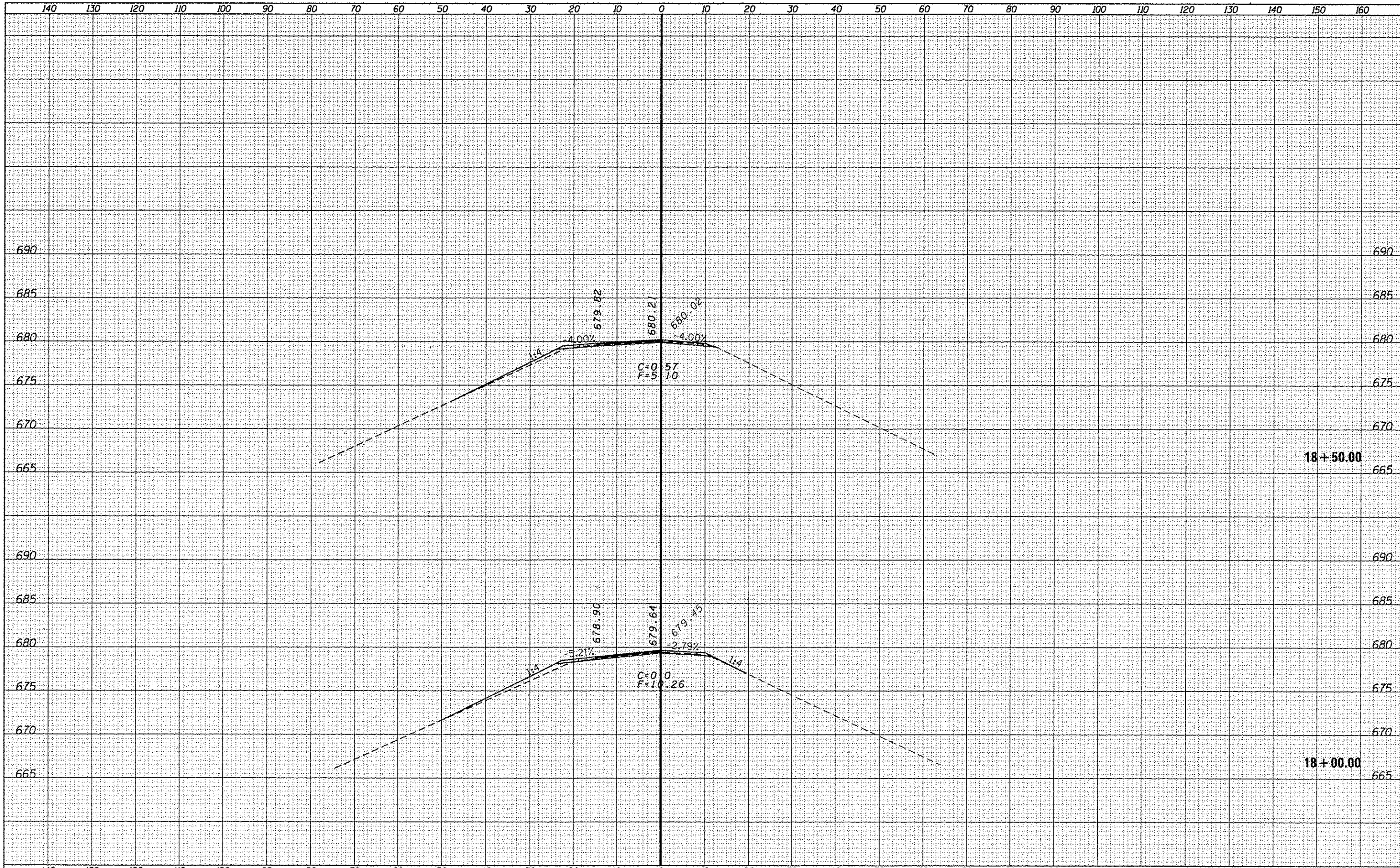
DATE	
BY	
FINAL SURVEY	
SAVED	
TEMPLATE	
AREAS	
CHECKED	
NO.	

DATE	
BY	
ORIGINAL SURVEY	
SAVED	
TEMPLATE	
AREAS	
CHECKED	
NO.	

DATE	
BY	
FINAL SURVEY	
PLOTTED	
NOTE BOOK	
AREAS CHECKED	

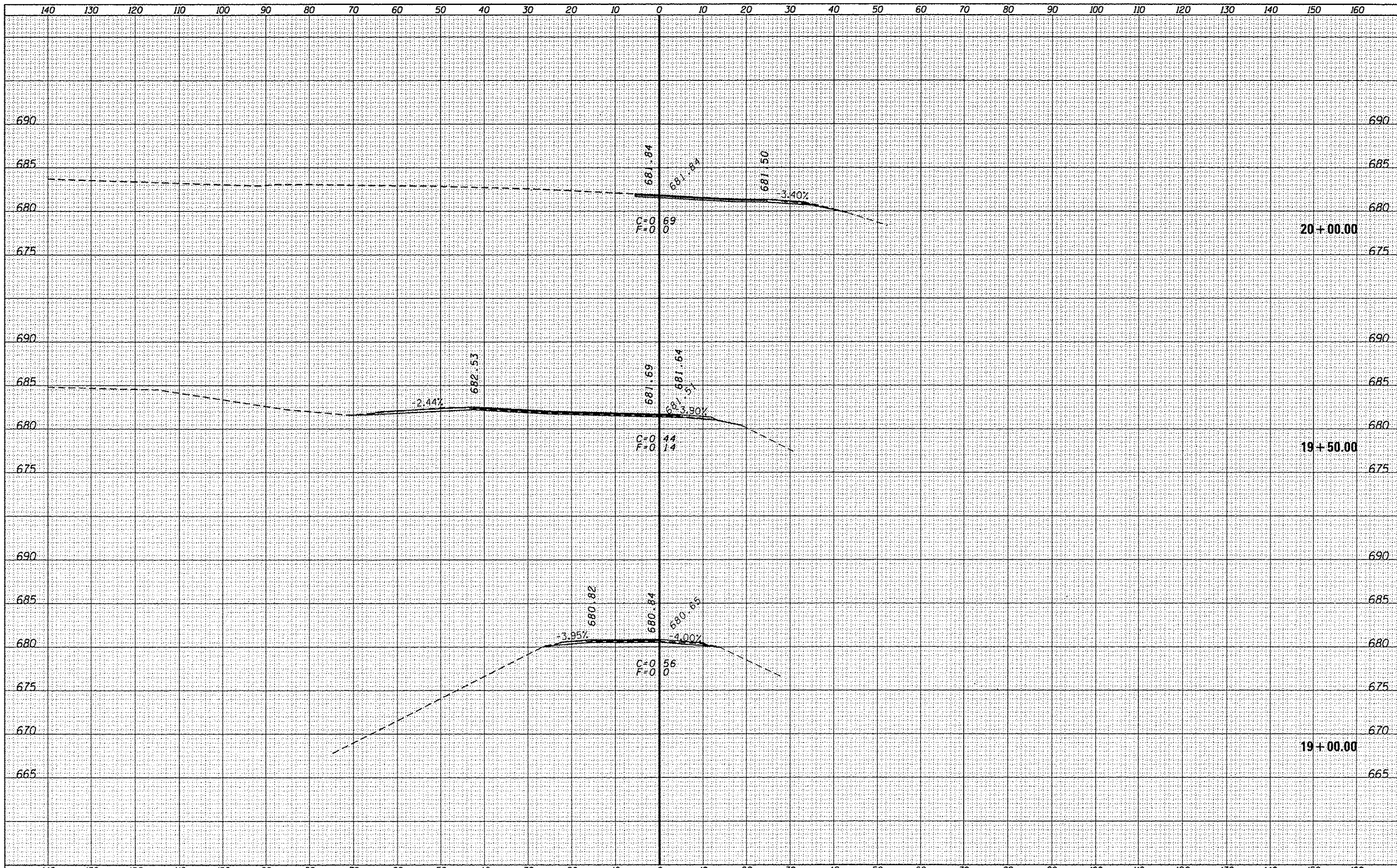
DATE	
BY	
ORIGINAL SURVEY	
PLOTTED	
NOTE BOOK	
AREAS CHECKED	





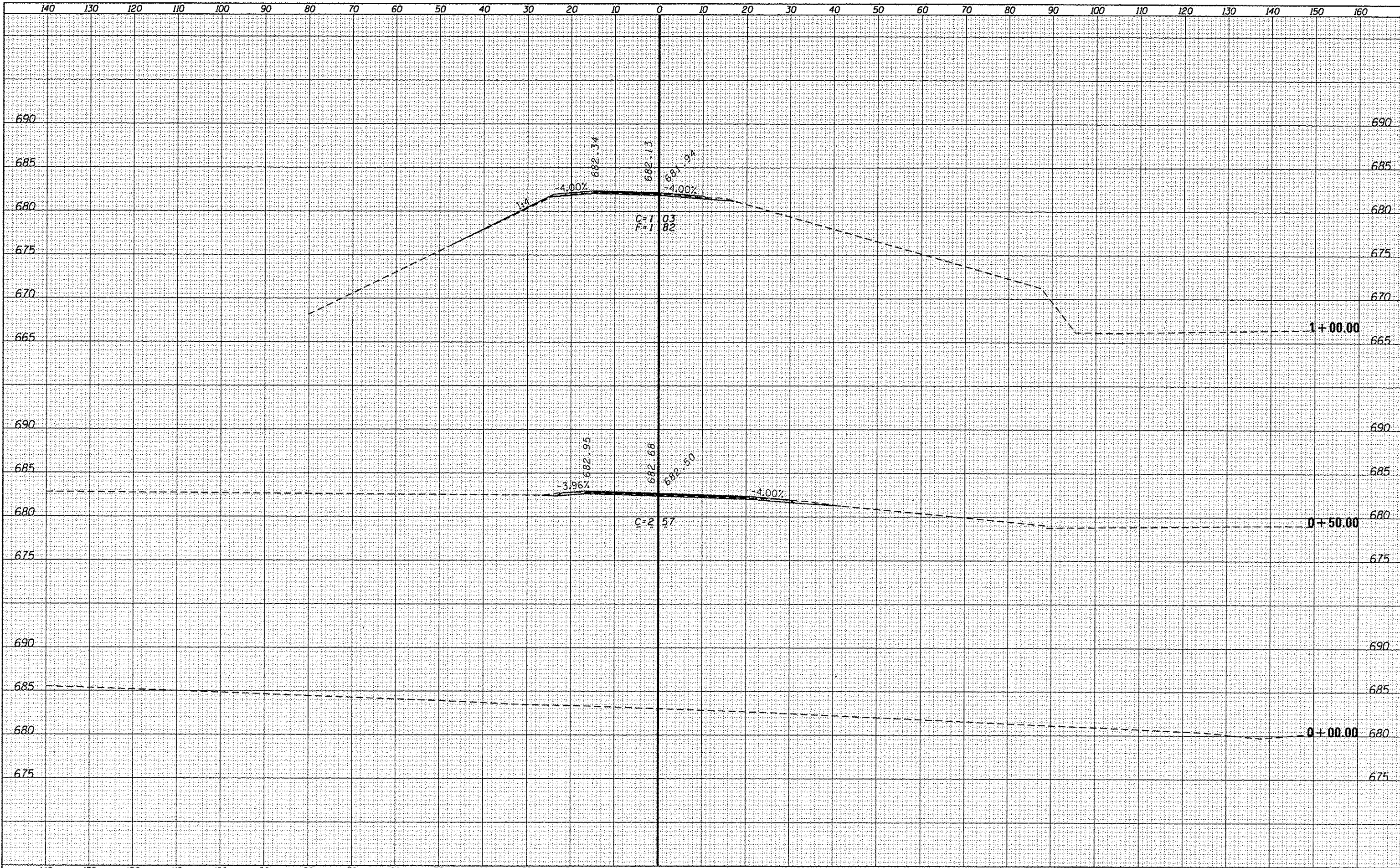
DATE	
BY	
STARTED	
STOPPED	
FINAL SURVEY	
NOTE BOOK	
NO.	
AREAS CHECKED	

DATE	
BY	
STARTED	
STOPPED	
ORIGINAL SURVEY	
NOTE BOOK	
NO.	
AREAS CHECKED	



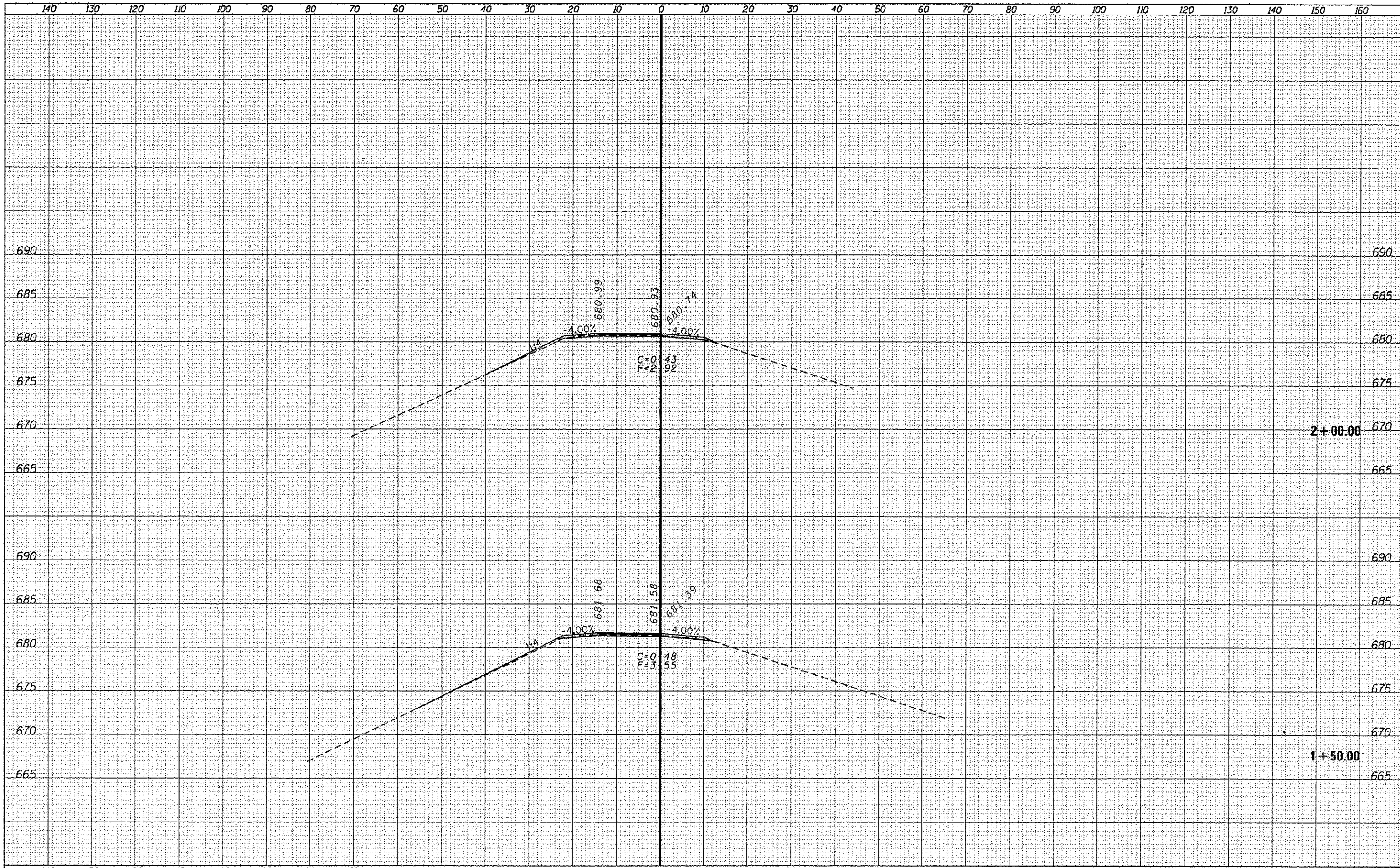
DATE	
BY	
SAVED	
TEMPLATE	
AREAS CHECKED	
FINAL SURVEY NOTE BOOK NO.	

DATE	
BY	
SAVED	
TEMPLATE	
AREAS CHECKED	
ORIGINAL SURVEY NOTE BOOK NO.	



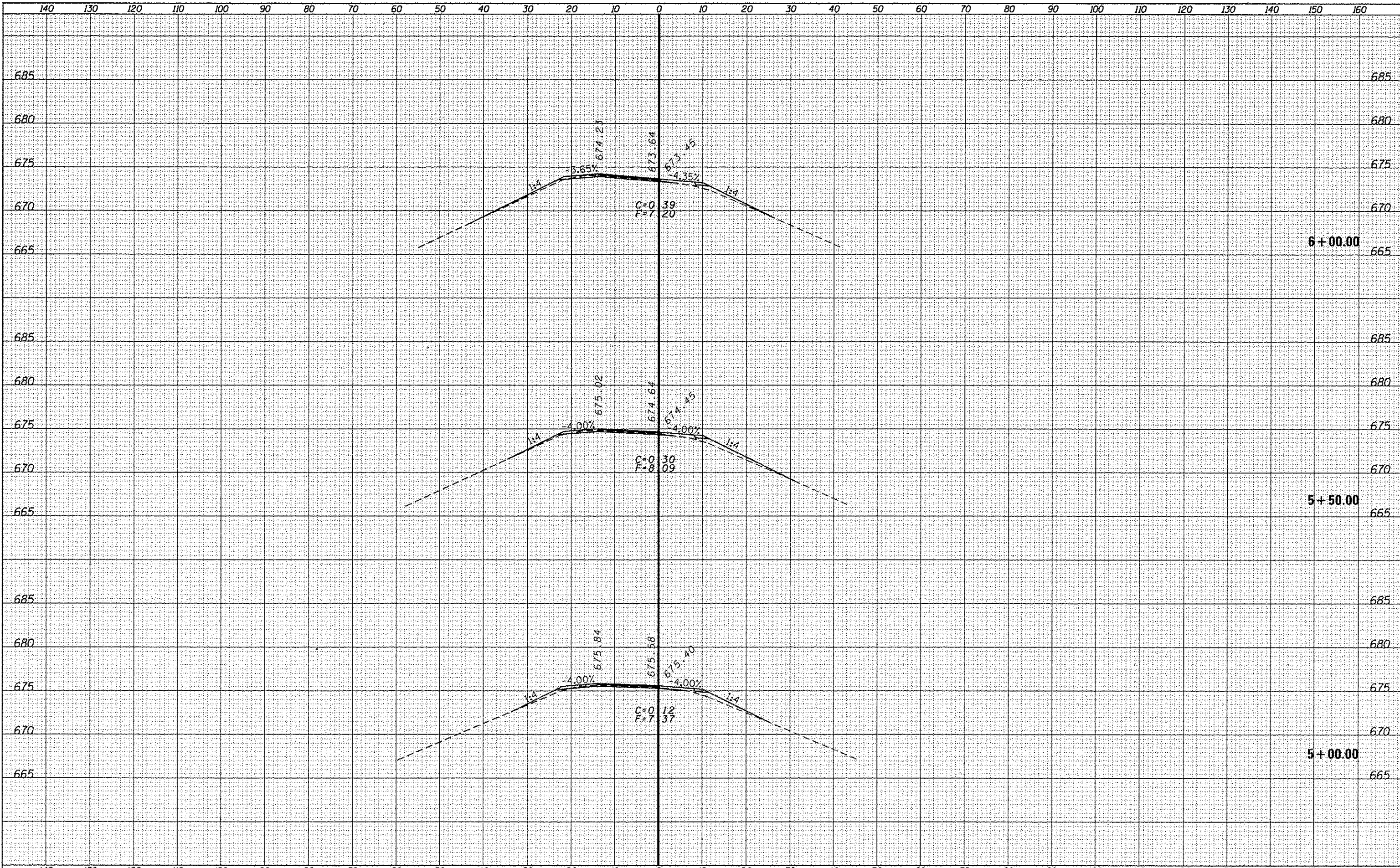
DATE	
BY	
FINN	
SURVEY	
PLOTTED	
TEMPLATE	
AREAS	
AREAS CHECKED	
NO.	

DATE	
BY	
ORIGINAL	
SURVEY	
PLOTTED	
TEMPLATE	
AREAS	
AREAS CHECKED	
NO.	



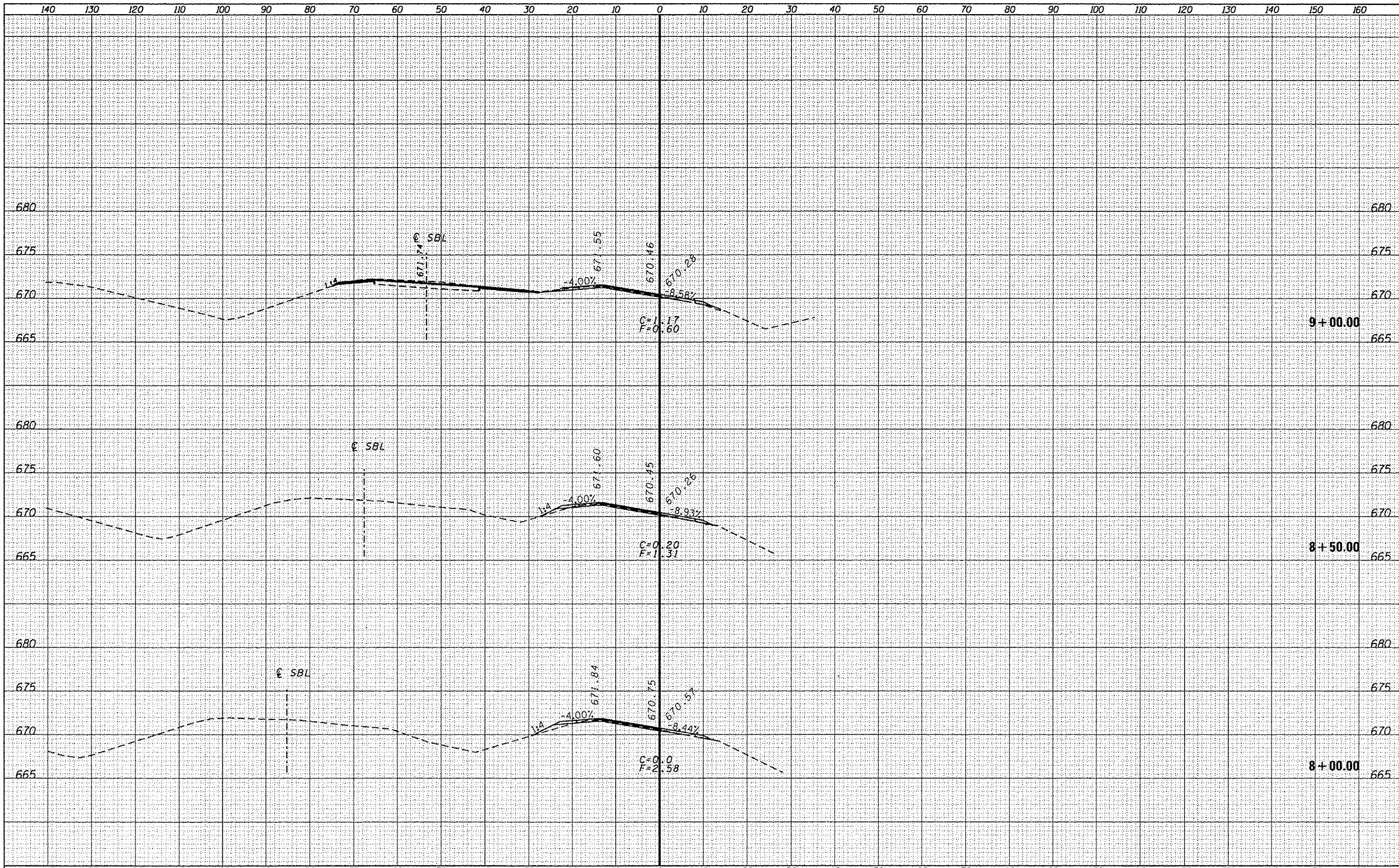
DATE	
BY	
FINAL SURVEY	
NOTED	
NOTE BOOK	
NO.	
AREAS CHECKED	

DATE	
BY	
ORIGINAL SURVEY	
NOTED	
NOTE BOOK	
NO.	
AREAS CHECKED	



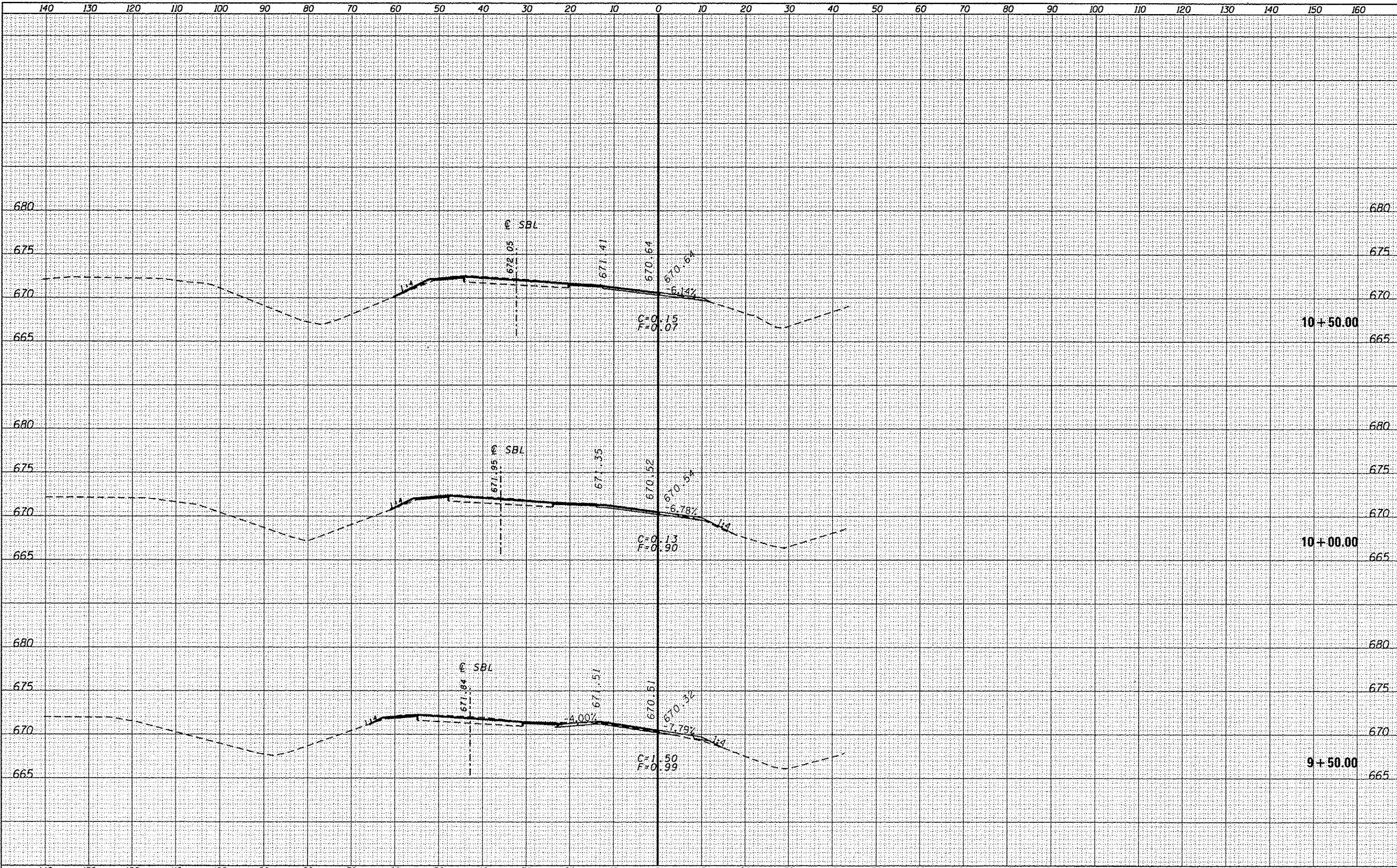
DATE	
BY	
NO.	
FINAL SURVEY	
SURVEY	
PLOTTED	
TEMPLATE	
AREAS	
AREAS CHECKED	

DATE	
BY	
NO.	
ORIGINAL SURVEY	
SURVEY	
PLOTTED	
TEMPLATE	
AREAS	
AREAS CHECKED	



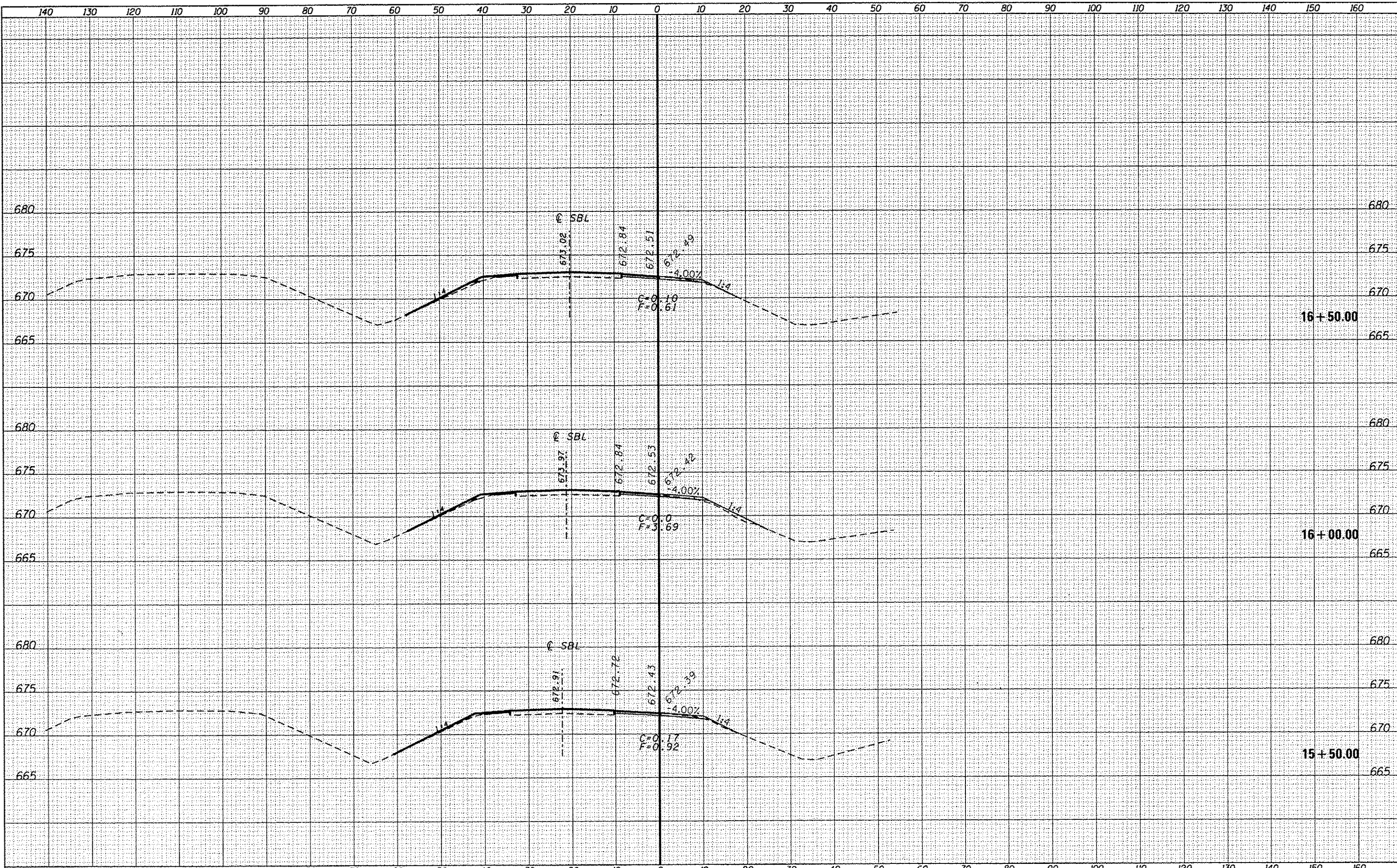
DATE	
BY	
FINAL SURVEY	
NOTED SURVEY	
NOTE BOOK	
NO.	
AREAS CHECKED	

DATE	
BY	
ORIGINAL SURVEY	
NOTED SURVEY	
NOTE BOOK	
NO.	
AREAS CHECKED	



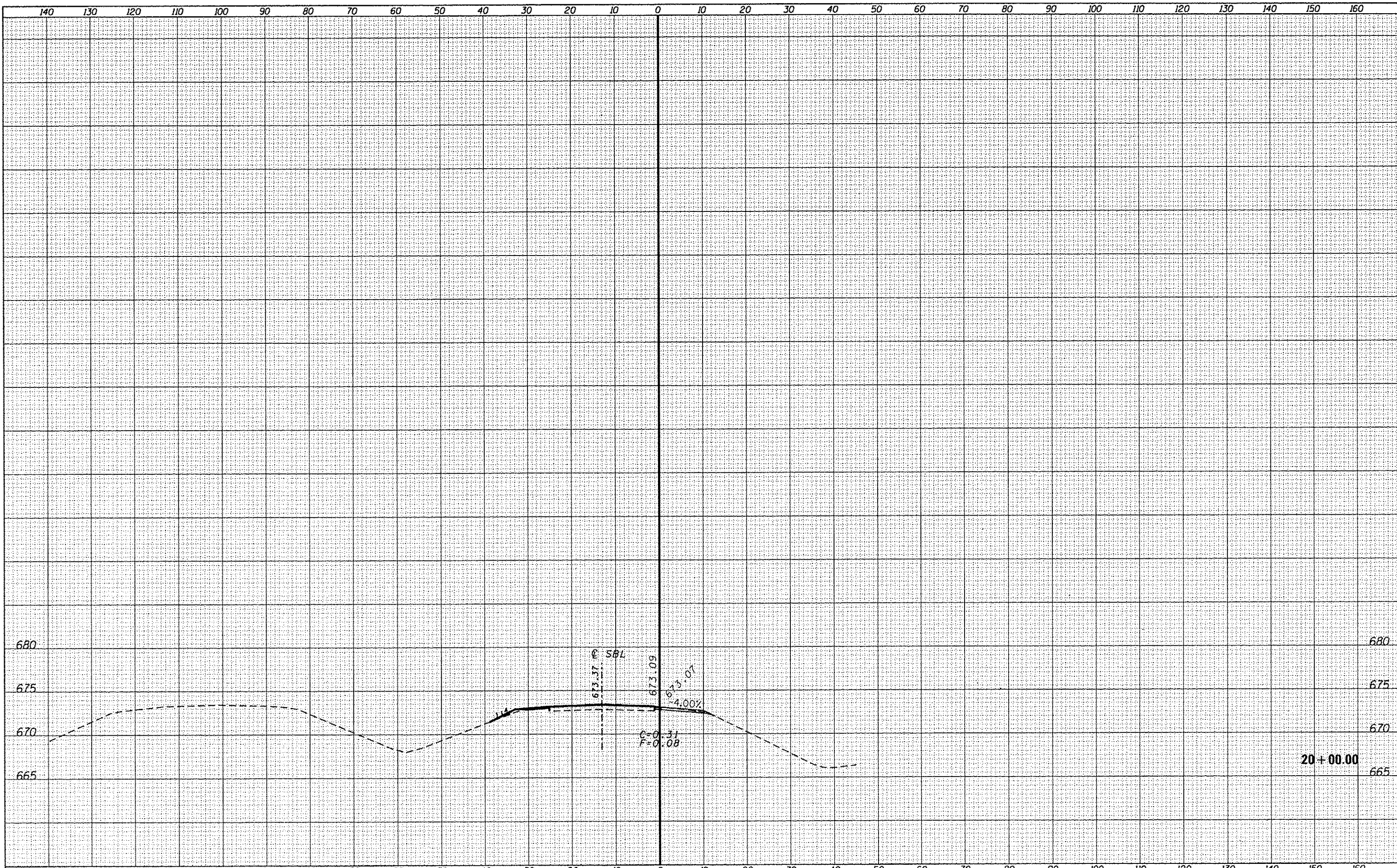
DATE	
BY	
FINAL SURVEY	
NOTE BOOK	
AREAS CHECKED	

DATE	
BY	
ORIGINAL SURVEY	
NOTE BOOK	
AREAS CHECKED	



DATE	
BY	
REVISIONS	
NO.	
DATE	
BY	
REVISIONS	
NO.	
DATE	
BY	
REVISIONS	
NO.	
DATE	
BY	
REVISIONS	
NO.	

DATE	
BY	
REVISIONS	
NO.	
DATE	
BY	
REVISIONS	
NO.	
DATE	
BY	
REVISIONS	
NO.	
DATE	
BY	
REVISIONS	
NO.	



DATE	
BY	
SUPPRESSED	
PLOTTED	
TEMPLATE	
AREAS	
CHECKED	
FINAL SURVEY	
NOTE BOOK	
NO.	

DATE	
BY	
SUPPRESSED	
PLOTTED	
TEMPLATE	
AREAS	
CHECKED	
ORIGINAL SURVEY	
NOTE BOOK	
NO.	