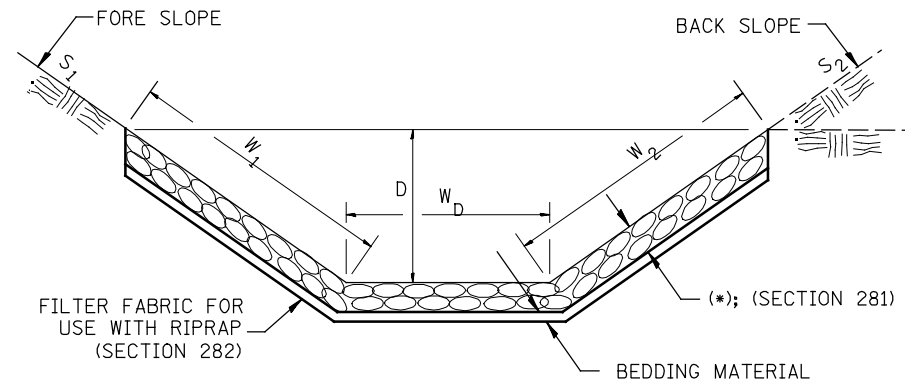


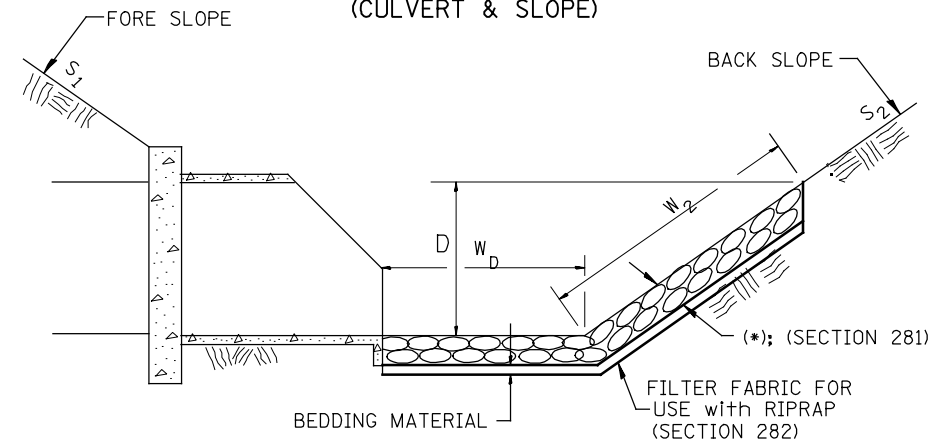
**CASE 1  
(DITCH)**



(*)				
LOCATION	WIDTH (1)	LENGTH	RIPRAP	FABRIC
STA TO STA	lin ft (m)	lin ft (m)	tons (m tons)	sq yds (m <sup>2</sup> )
283+00 TO 284+25	17	125	158	237
283+50 TO 284+25	17	75	95	142
303+00 TO 304+00	14	100	104	156
303+00 TO 304+00	15	100	112	167
TOTAL			469	702

(1) WIDTH =  $W_1 + W_2 + W_D$

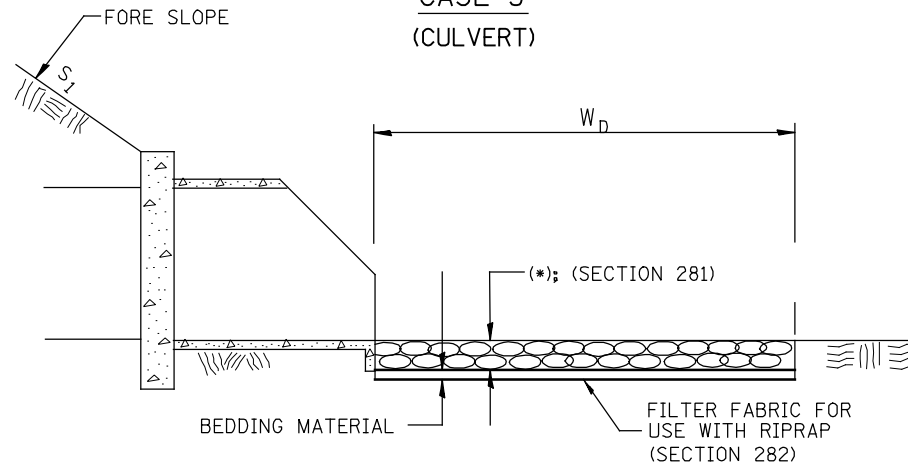
**CASE 2  
(CULVERT & SLOPE)**



(*)				
LOCATION	WIDTH (1)	LENGTH	RIPRAP	FABRIC
STA TO STA	lin ft (m)	lin ft (m)	tons (m tons)	sq yds (m <sup>2</sup> )
N/A				
TOTAL				

(1) WIDTH =  $W_2 + W_D$

**CASE 3  
(CULVERT)**



(*)				
LOCATION	WIDTH (1)	LENGTH	RIPRAP	FABRIC
STA TO STA	lin ft (m)	lin ft (m)	tons (m tons)	sq yds (m <sup>2</sup> )
<b>SEE CULVERT EXTENSION DETAIL</b>				
TOTAL				

(1) WIDTH =  $W_D$

All slope ratios are expressed as units of vertical displacement to units of horizontal displacement (V:H).  
All dimensions are in inches (millimeters) unless otherwise noted.

1-1-97	RENUM. A-12.02, NEW REVISION BOX	T.P.
12-1-97	CORRECT FILTER FABRIC LEADER ARROW	J.A.
10-16-06	REVISED TO 2007 SPEC.	M.A.
9-6-12	REMOVED A DESIGNER NOTE AND MADE MINOR CHANGES	R.D.

**STATE OF ILLINOIS  
DEPARTMENT OF TRANSPORTATION**

**RIPRAP DITCH FOR EROSION PROTECTION**

NOT TO SCALE

CADD STD. 281001-D4

F.A.P. RTE.	SECTION	COUNTY	TOTAL SHEETS	SHEET NO.
698	(125VBR)BR	MARSHALL	148	122
			CONTRACT NO. 68580	
ILLINOIS FED. AID PROJECT				