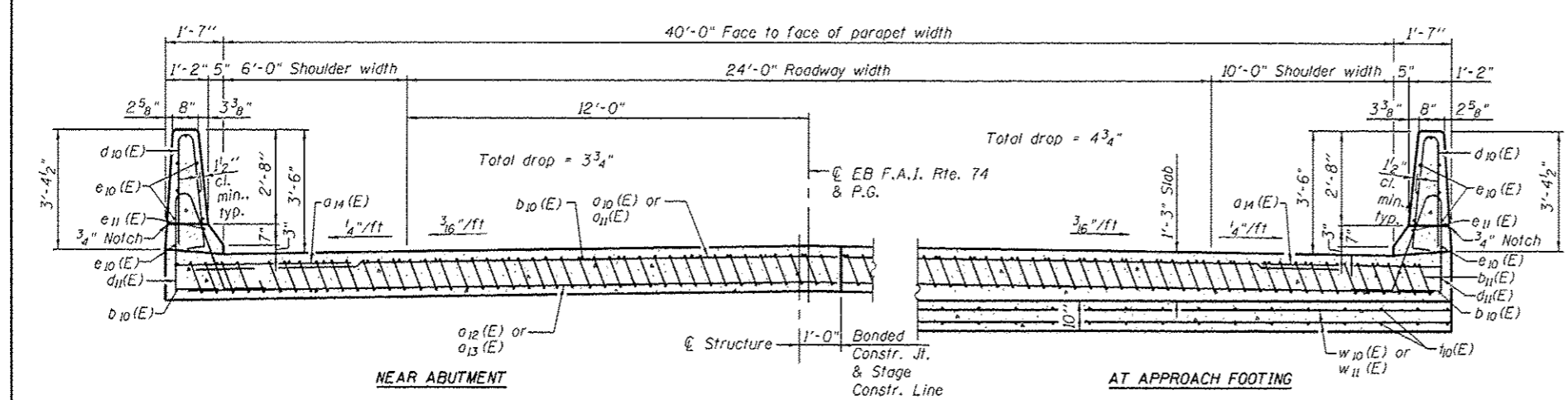
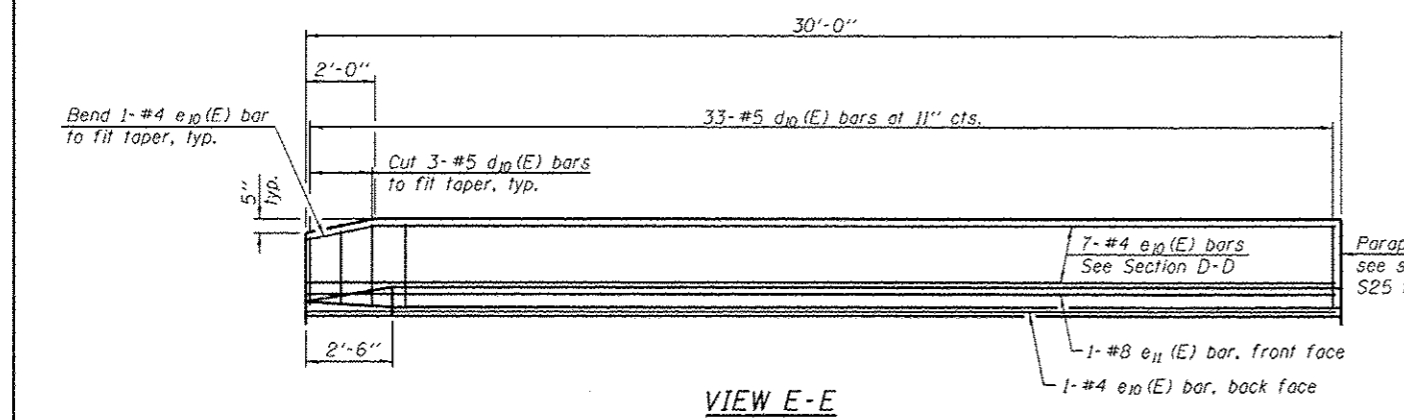


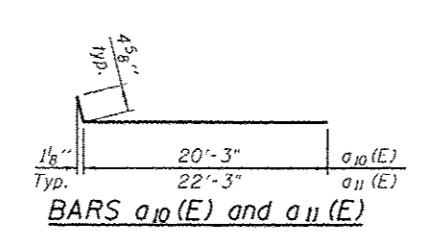
SECTION C-C



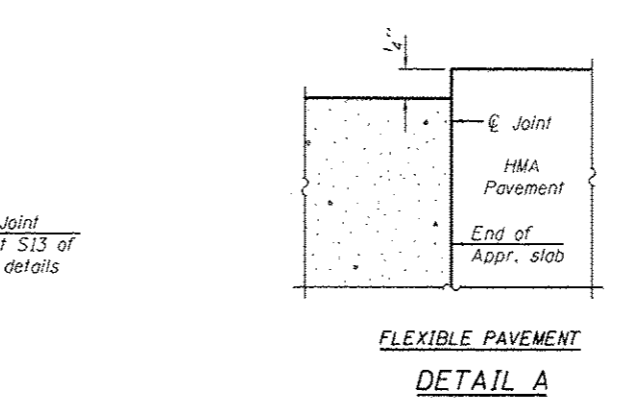
SECTION D-D



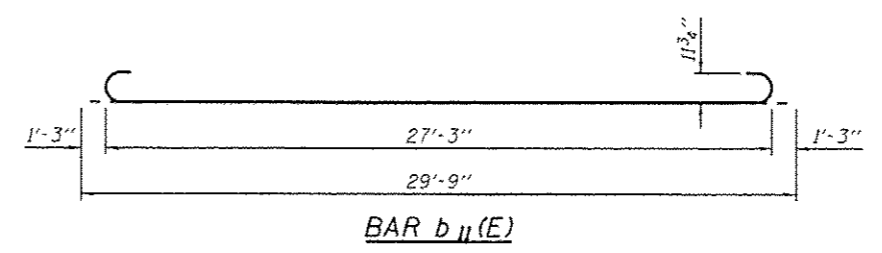
VIEW E-E



BARS a10(E) and a11(E)



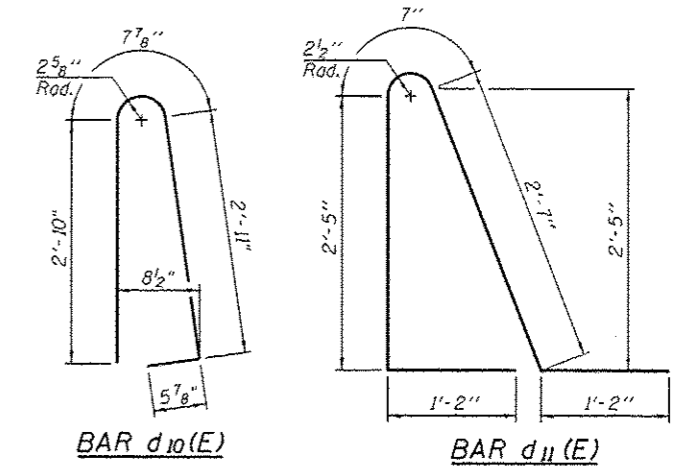
FLEXIBLE PAVEMENT
DETAIL A



BAR b11(E)

NOTES

1. Approach slab and parapet concrete shall be paid for as Concrete Superstructure.
2. Approach footing concrete shall be paid for as Concrete Structures.
3. Reinforcement shall be paid for as Reinforcement Bars, Epoxy Coated.
4. For v(E) bar details, see sheet S13 of S25.
5. The approach footing maximum applied service bearing pressure (Omax) = 2.0 ksf.
6. For bar splicer details, see sheet S24 of S25.
7. Cost of excavation for approach footing included with Concrete Structures.
8. For Granular Backfill for Structures and drainage treatment details, see sheet S2 of S25.
9. For additional parapet details, see sheet S13 of S25.



* Tilt #9 b11(E) bars as required to maintain clearance.

TWO APPROACH SLABS
BILL OF MATERIAL

Bar	No.	Size	Length	Shape
a10(E)	50	#4	20' - 8"	—
a11(E)	50	#4	22' - 8"	—
a2(E)	92	#5	20' - 4"	—
a3(E)	92	#5	22' - 4"	—
a4(E)	96	#6	6' - 6"	—
b10(E)	78	#4	29' - 8"	—
b11(E)	214	#9	29' - 9"	—
d10(E)	132	#5	6' - 11"	⌒
d11(E)	132	#5	7' - 11"	⌒
e10(E)	32	#4	29' - 8"	—
e11(E)	4	#8	29' - 8"	—
t1d(E)	184	#4	9' - 8"	—
w10(E)	80	#5	20' - 4"	—
w11(E)	80	#5	22' - 4"	—
Concrete Superstructure		Cu. Yd.	138.5	
Concrete Structures		Cu. Yd.	26.6	
Bridge Deck Grooving		Sq. Yd.	267	
Protective Coat		Sq. Yd.	326	
Reinforcement Bars, Epoxy Coated		Pound	37,430	

Rev. sheet 11-12-14