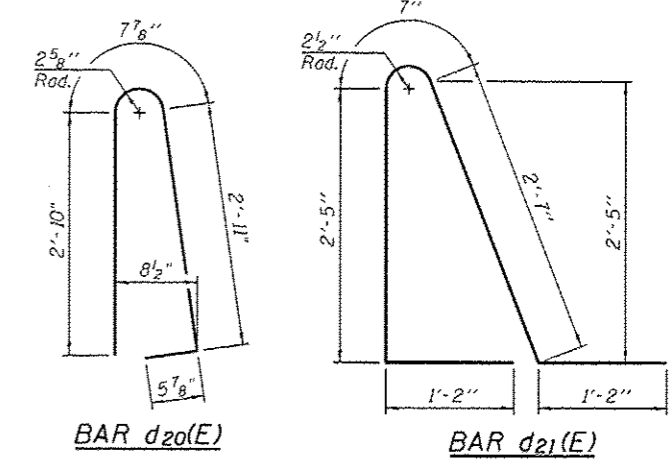
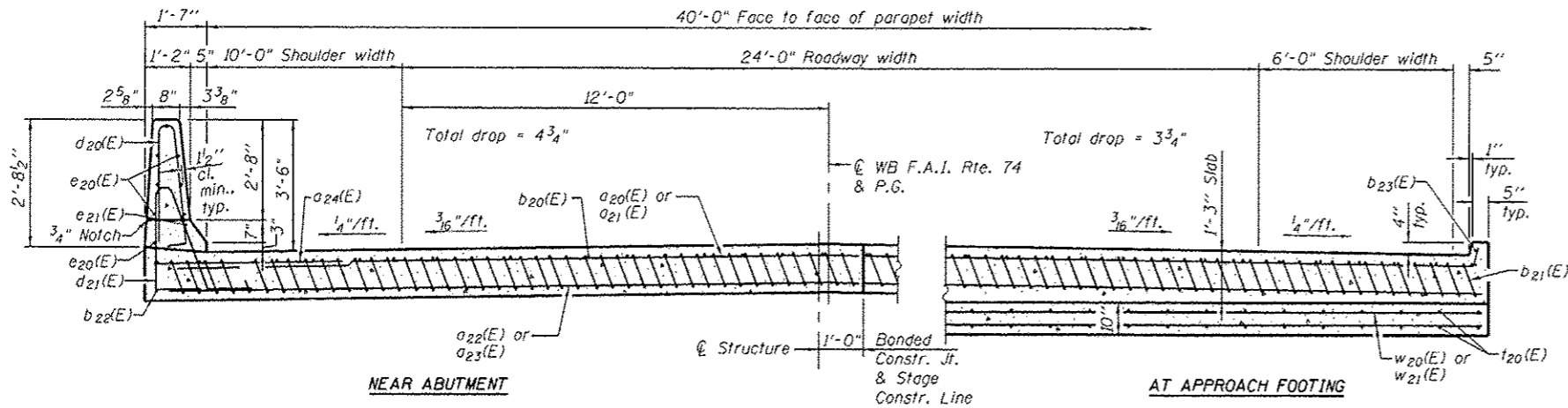


NOTES

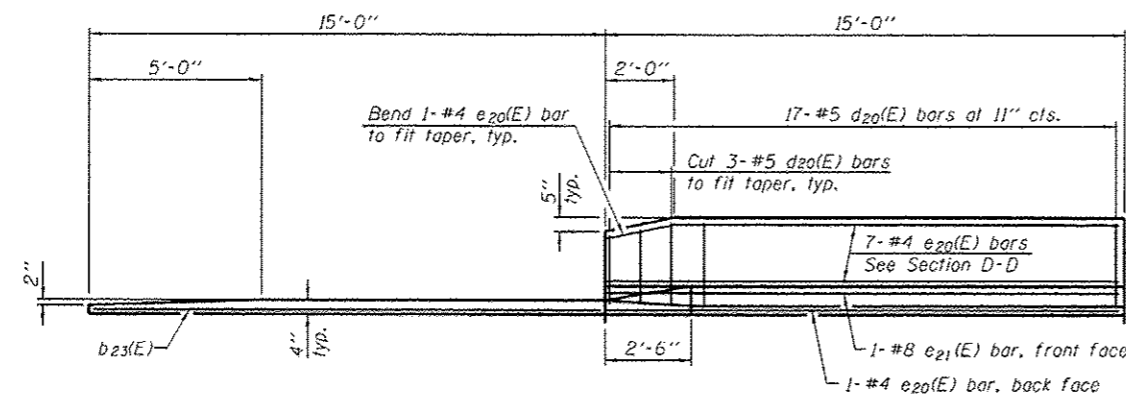
1. Approach slab and parapet concrete shall be paid for as Concrete Superstructure.
2. Approach footing concrete shall be paid for as Concrete Structures.
3. Reinforcement shall be paid for as Reinforcement Bars, Epoxy Coated.
4. For v(E) bar details, see sheet S13 of S25.
5. The approach footing maximum applied service bearing pressure (Q_{max}) = 2.0 ksf.
6. For bar splicer details, see sheet S24 of S25.
7. Cost of excavation for approach footing included with Concrete Structures.
8. For Granular Backfill for Structures and drainage treatment details, see sheet S2 of S25.
9. For additional parapet details, see sheet S13 of S25.



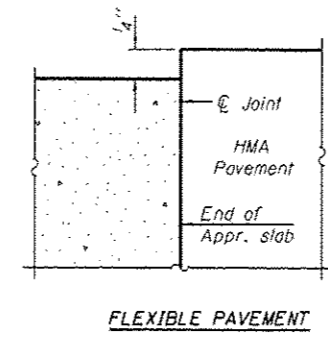
* Tilt #9 b21(E) bars as required to maintain clearance.



SECTION D-D
(See Plan for dimensions not shown)

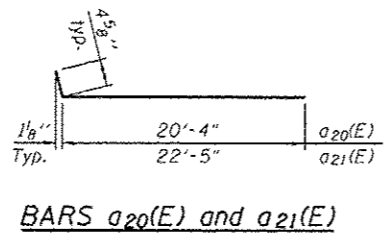


VIEW E-E

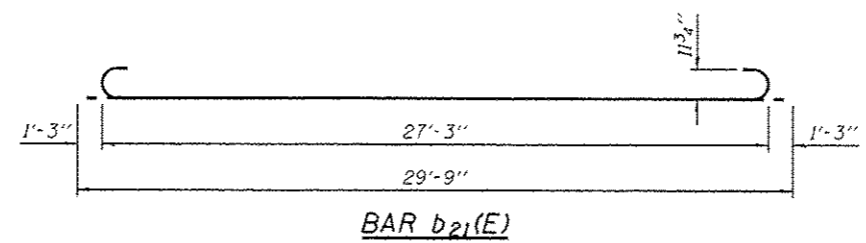


FLEXIBLE PAVEMENT

DETAIL A



BARS a20(E) and a21(E)



BAR b21(E)

**TWO APPROACH SLABS
BILL OF MATERIAL**

Bar	No.	Size	Length	Shape
a20(E)	50	#4	20' - 9"	—
a21(E)	50	#4	22' - 10"	—
a22(E)	92	#5	20' - 4"	—
a23(E)	92	#5	22' - 5"	—
a24(E)	48	#6	6' - 6"	—
b20(E)	70	#4	29' - 8"	—
b21(E)	202	#9	29' - 9"	—
b22(E)	4	#4	14' - 8"	—
b23(E)	4	#4	14' - 9"	—
d20(E)	68	#5	6' - 11"	U
d21(E)	68	#5	7' - 11"	U
e20(E)	32	#4	14' - 8"	—
e21(E)	4	#8	14' - 8"	—
l20(E)	176	#4	9' - 8"	—
w20(E)	80	#5	20' - 4"	—
w21(E)	80	#5	22' - 5"	—
Concrete Superstructure				Cu. Yd. 131.1
Concrete Structures				Cu. Yd. 26.7
Bridge Deck Grooving				Sq. Yd. 269
Protective Coat				Sq. Yd. 304
Reinforcement Bars, Epoxy Coated				Pound 34,160

Rev Sheet 11-12-14