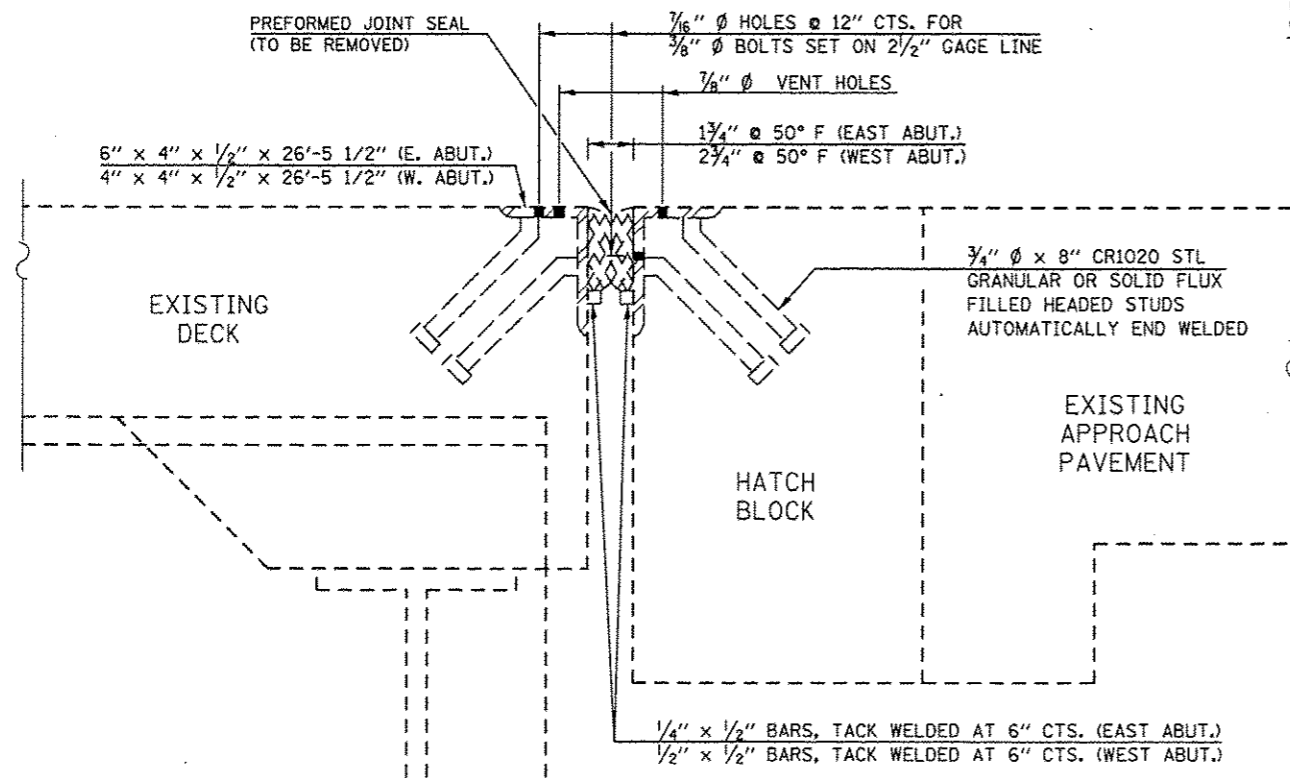
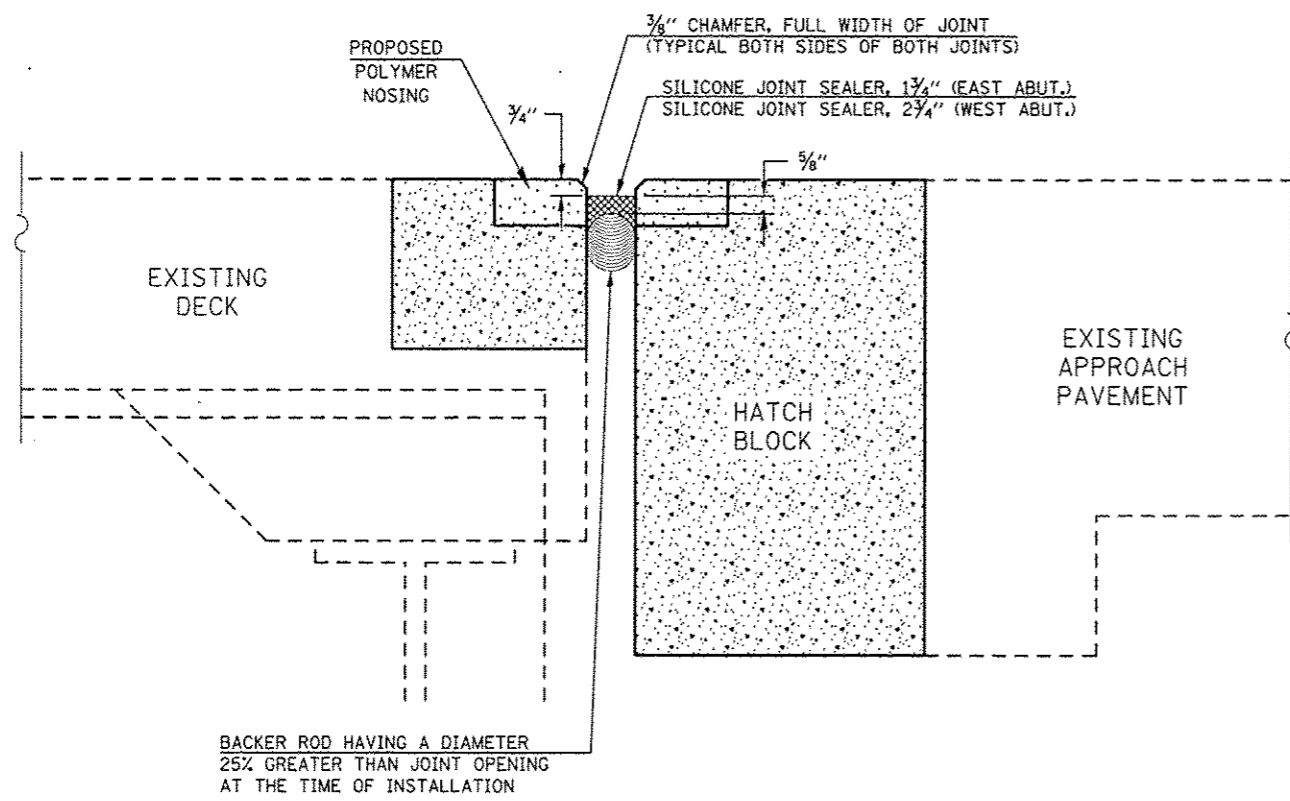


JOINT REPAIR PLAN

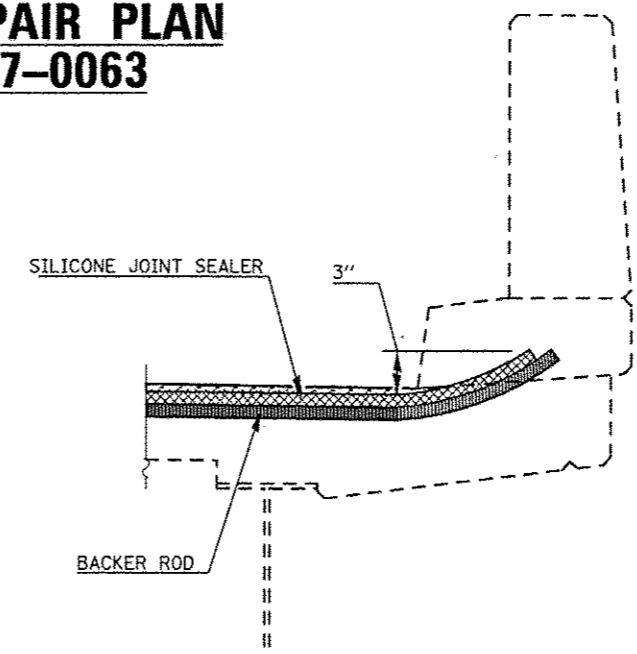
S.N. 057-0063



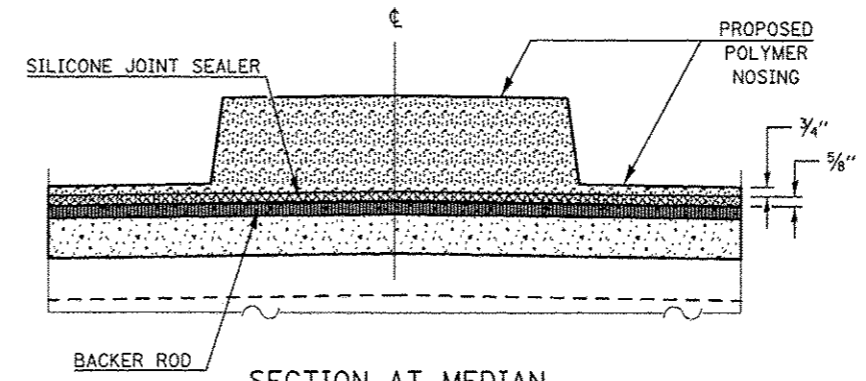
SECTION AT EXISTING JOINT



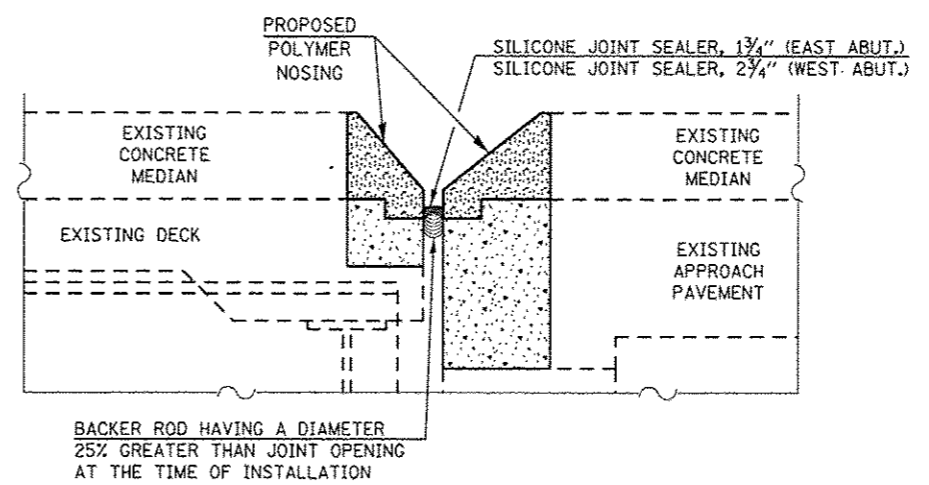
SECTION AT PROPOSED JOINT



SECTION AT PARAPET



SECTION AT MEDIAN



PROFILE OF PROPOSED JOINT THRU MEDIAN

BILL OF MATERIALS

ITEM	UNIT	TOTAL
SILICONE JOINT SEALER, 1 3/4"	FOOT	58.0
SILICONE JOINT SEALER, 2 3/4"	FOOT	58.0

NOTES

THE EXISTING PREFORMED JOINT SEALER AND STEEL ARMOR IS TO BE REMOVED AND PROPERLY DISPOSED OF. COST INCLUDED IN CONCRETE REMOVAL.

SEE SHEETS 2-3 OF 8 FOR CONCRETE REMOVAL, CONCRETE SUPERSTRUCTURES & POLYMER CONCRETE DETAILS AND QUANTITIES.