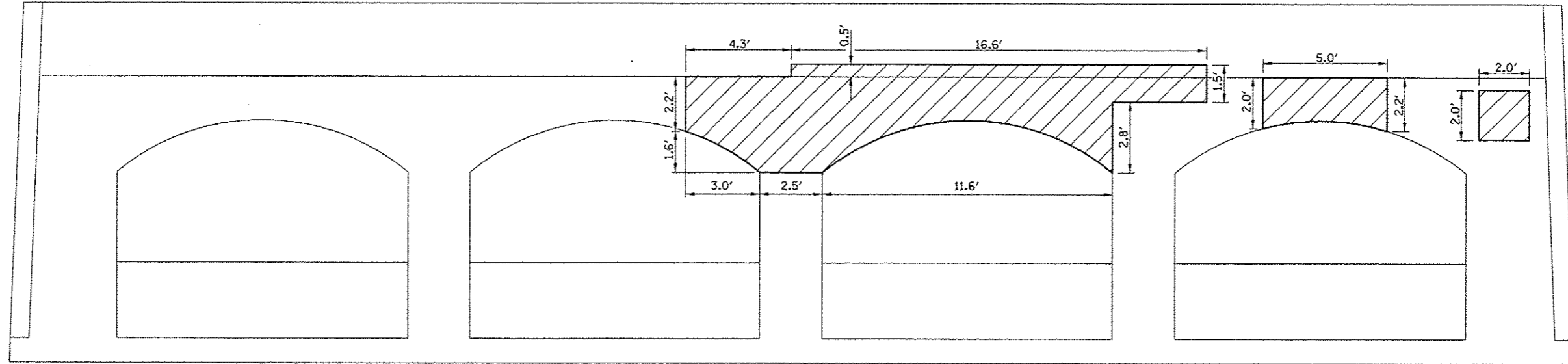
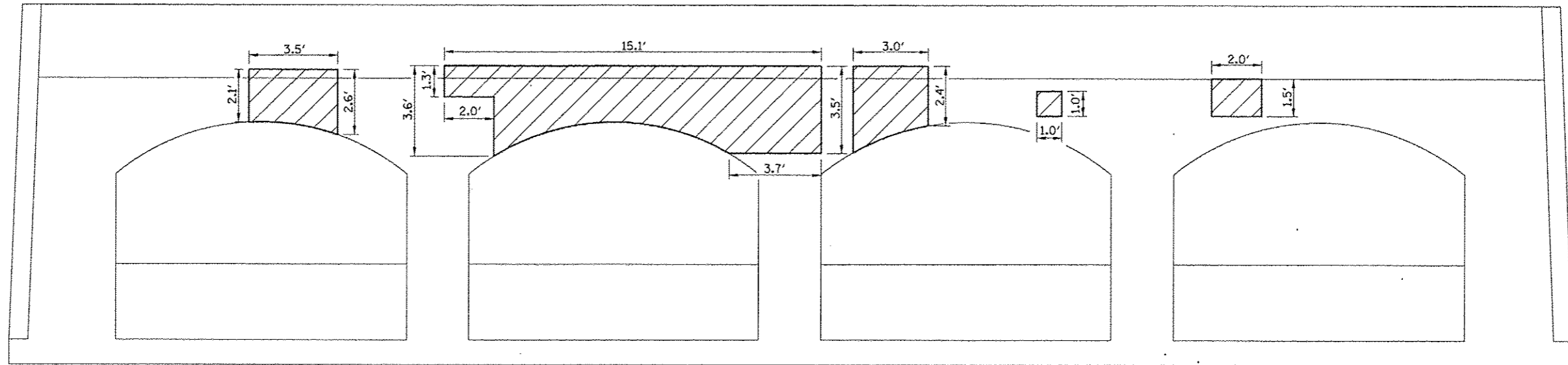


### PIER 1 – WEST SIDE



### PIER 1 – EAST SIDE



**LEGEND**

STRUCTURAL REPAIR OF CONCRETE, DEPTH EQUAL TO OR LESS THAN 5"

**NOTE:**

SEE SPECIAL PROVISION FOR STRUCTURAL REPAIR OF CONCRETE.

**BILL OF MATERIALS**

ITEM	UNIT	TOTAL
STRUCTURAL REPAIR OF CONCRETE, DEPTH EQUAL TO OR LESS THAN 5"	SQ FT	132.7