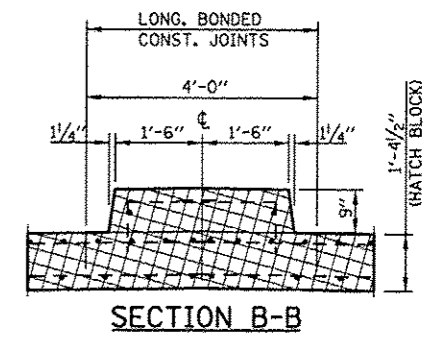
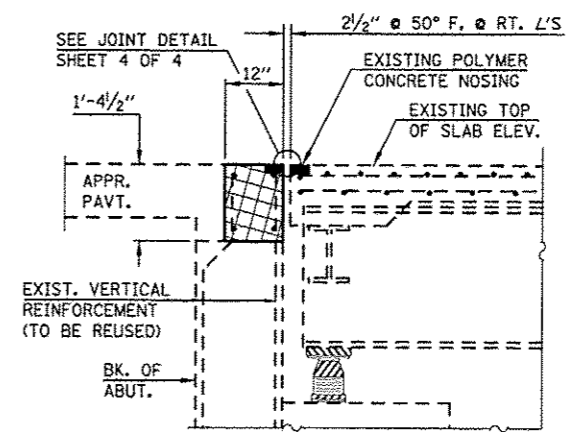
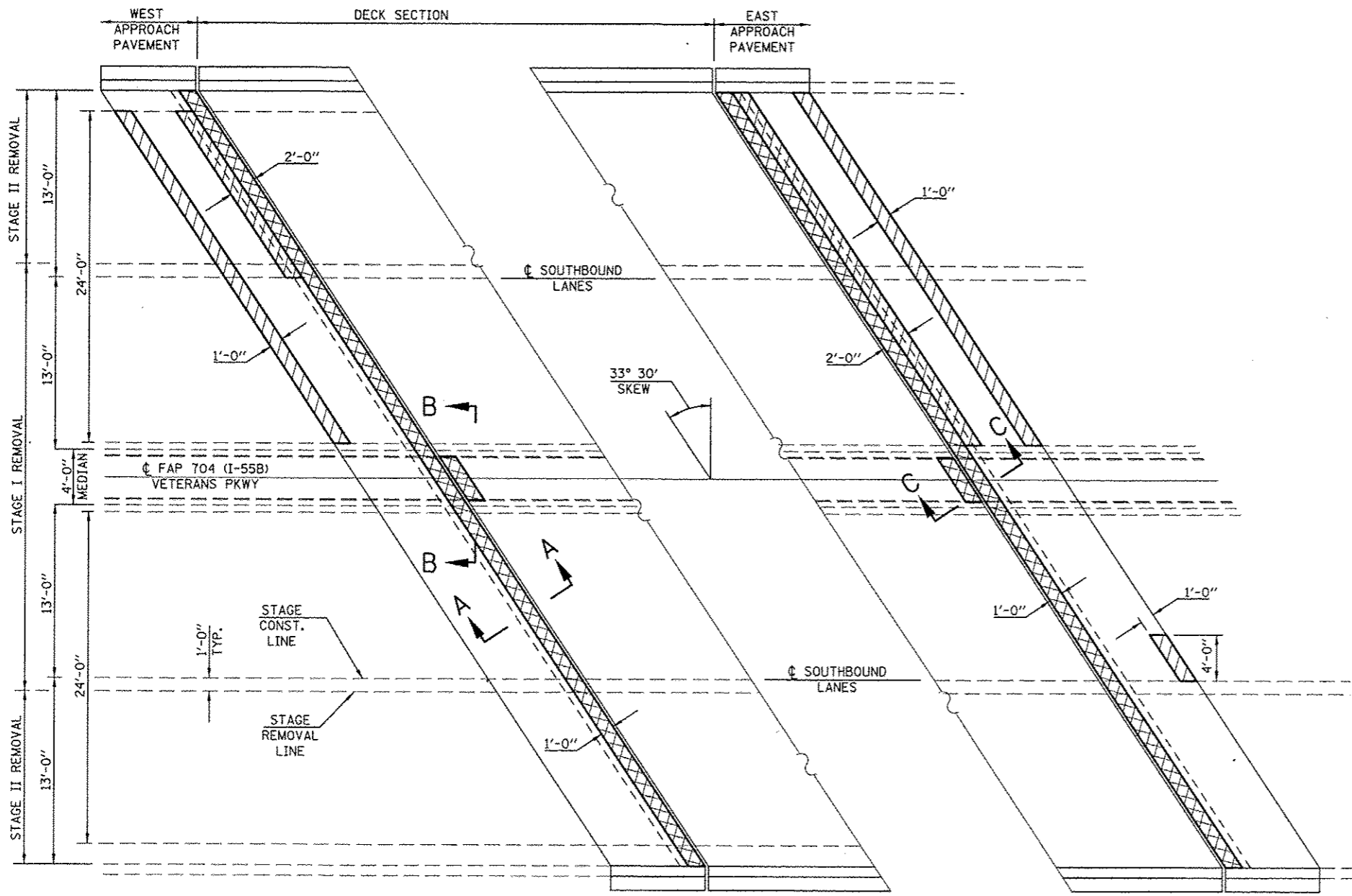


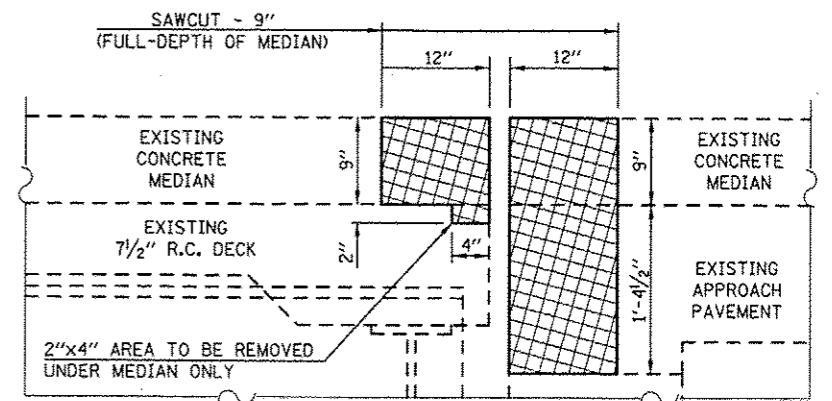
CONCRETE REMOVAL PLAN

S.N. 057-0064



SECTION A-A

SECTION B-B



SECTION C-C

LEGEND

- APPROACH SLAB REPAIR (PARTIAL-DEPTH)
- CONCRETE REMOVAL

BILL OF MATERIALS

ITEM	UNIT	TOTAL
APPROACH SLAB REPAIR (PARTIAL-DEPTH)	SQ YD	12.2
CONCRETE REMOVAL	CU YD	7.2

NOTES

EXISTING REINFORCEMENT BARS EXTENDING INTO THE REMOVAL AREA SHALL BE CLEANED, STRAIGHTENED AND INCORPORATED INTO THE NEW CONSTRUCTION.

ANY REINFORCEMENT BARS THAT ARE DAMAGED DURING CONCRETE REMOVAL SHALL BE REPLACED WITH AN APPROVED BAR SPLICER OR ANCHORAGE SYSTEM. COST INCLUDED WITH CONCRETE REMOVAL.

SEE SPECIAL PROVISION "DECK SLAB REPAIR" FOR APPROACH SLAB REPAIR (PARTIAL-DEPTH). FOR INTENT OF THIS WORK, "DECK" = "APPROACH".