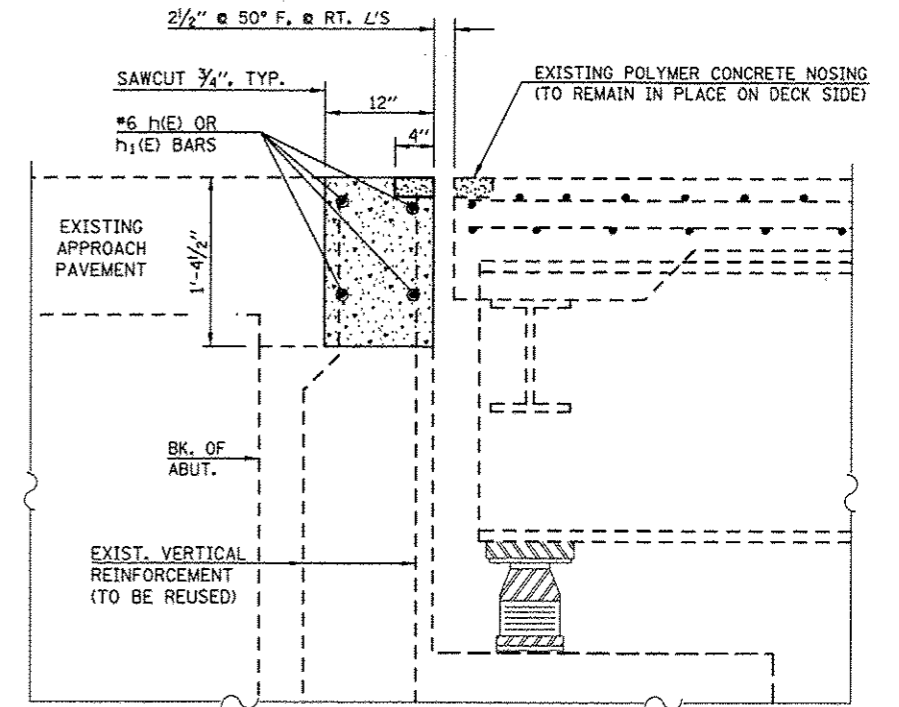
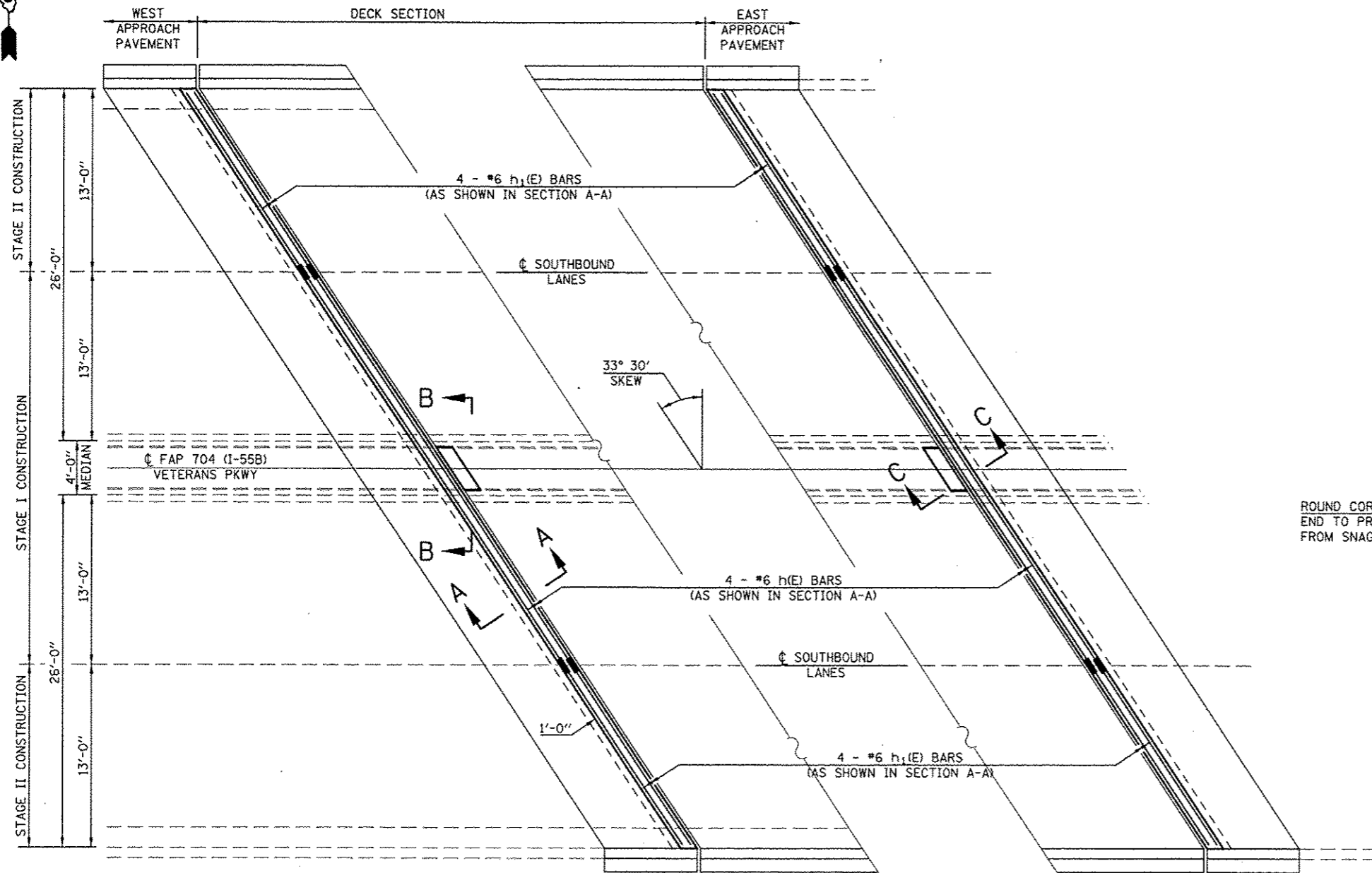


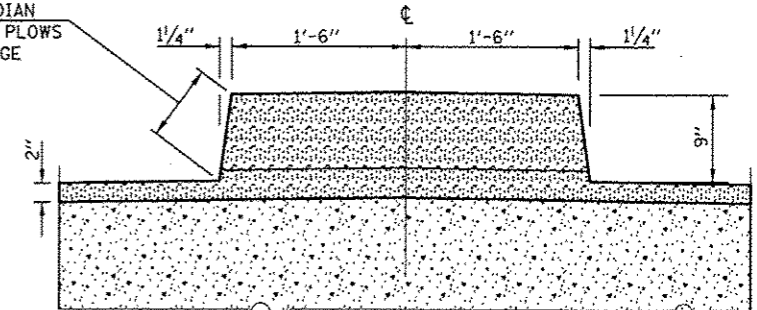
SUPERSTRUCTURE REPAIR PLAN

S.N. 057-0064

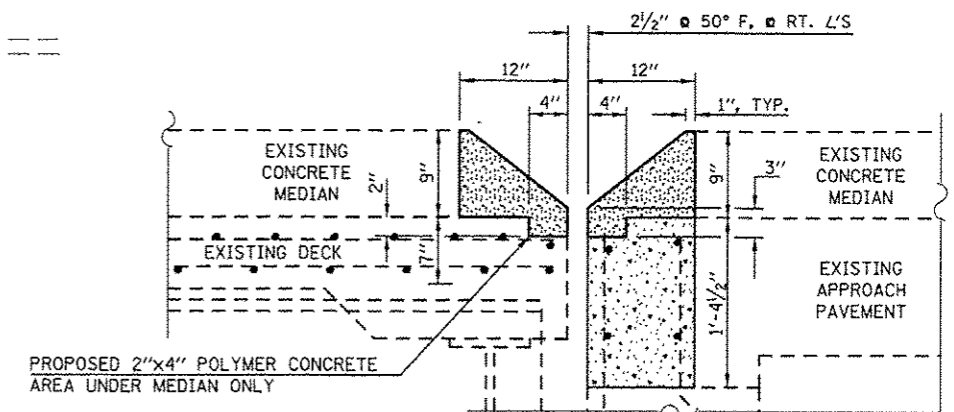


SECTION A-A

ROUND CORNERS AT MEDIAN
END TO PREVENT SNOW PLOWS
FROM SNAGGING THE EDGE



SECTION B-B



SECTION C-C

NOTES

EXISTING REINFORCEMENT BARS EXTENDING INTO THE REMOVAL AREA SHALL BE CLEANED, STRAIGHTENED AND INCORPORATED INTO THE NEW CONSTRUCTION. ANY REINFORCEMENT BARS THAT ARE DAMAGED DURING CONCRETE REMOVAL SHALL BE REPLACED WITH AN APPROVED BAR SPLICER OR ANCHORAGE SYSTEM. COST INCLUDED WITH CONCRETE REMOVAL.

REINFORCEMENT BARS DESIGNATED (E) SHALL BE EPOXY COATED.

EXCLUDING POLYMER CONCRETE, PROTECTIVE COAT SHALL BE APPLIED TO ALL NEW CONCRETE SURFACES PER ARTICLE 503.19 OF THE STD. SPECS.

LEGEND

- POLYMER CONCRETE
- CONCRETE SUPERSTRUCTURES

BILL OF MATERIAL

BAR	NO.	SIZE	LENGTH	SHAPE
h(E)	8	#6	36'-0"	—
h1(E)	16	#6	15'-5"	—
CONCRETE SUPERSTRUCTURE			CU YD	6.6
POLYMER CONCRETE			CU FT	14.2
REINFORCEMENT BARS (EPOXY COATED)			POUND	800.0
BAR SPLICERS			EACH	16
PROTECTIVE COAT			SQ YD	21.5

FILE NAME	USER NAME	DESIGNED	REVISED
ci:\pw\work\p\wide\dodgems\d0267571\0570338-shl-11jgd.dgn	dodgems	GMS	-
PLT SCALE	PLT DATE	CHECKED	REVISED
1/4" = 1'-0"	6/11/2014	BJM	-
		DATE	REVISED
		10-29-12	-

**STATE OF ILLINOIS
DEPARTMENT OF TRANSPORTATION**

**SUPERSTRUCTURE REPAIR PLAN
S.N. 057-0064**

SCALE: SHEET NO. 3 OF 5 SHEETS STA. TO STA.

F.A.P. RTE.	SECTION	COUNTY	TOTAL SHEETS	SHEET NO.
704	(57-7)RS-1 & 1RS-3	McLean	273	121
FED. ROAD DIST. NO.		ILLINOIS FED. AID PROJECT	CONTRACT NO. 70838	