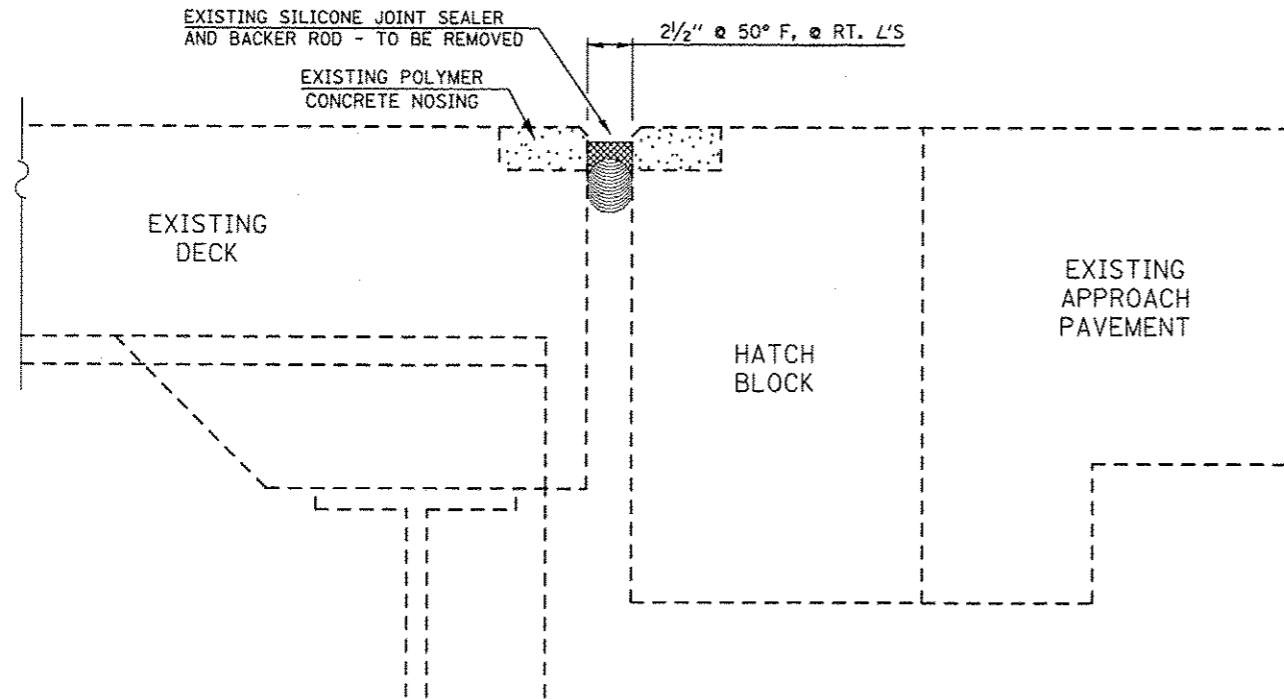
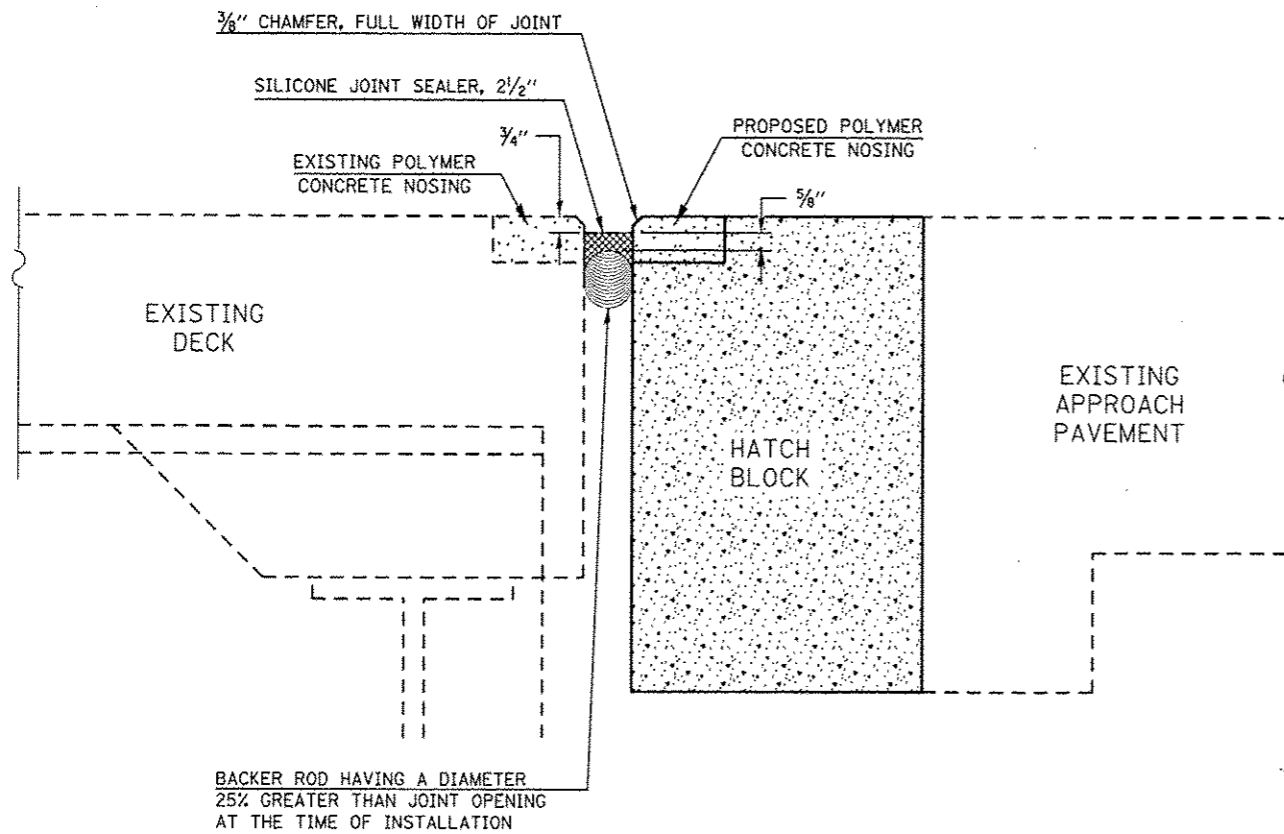


JOINT REPAIR PLAN

S.N. 057-0064

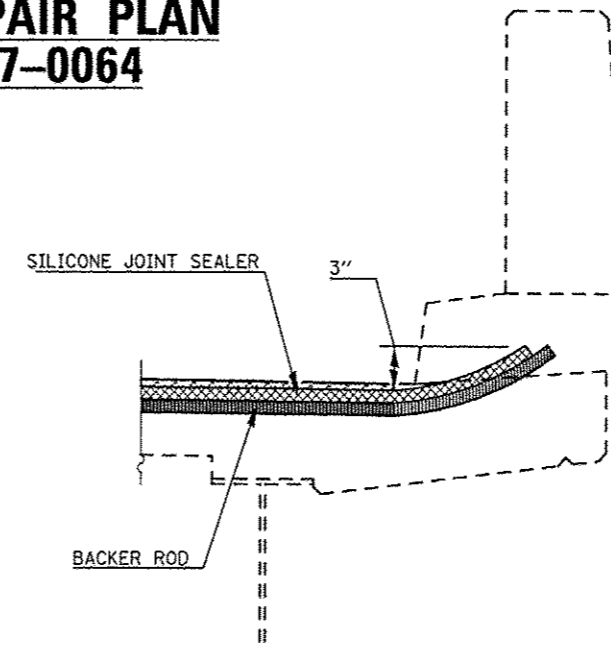


SECTION AT EXISTING JOINT

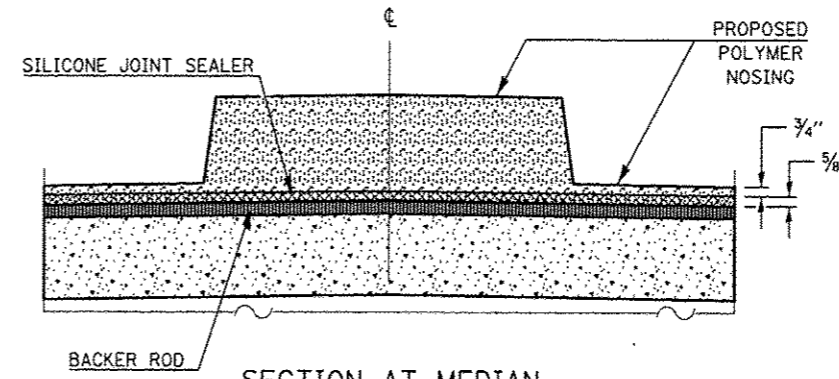


SECTION AT PROPOSED JOINT

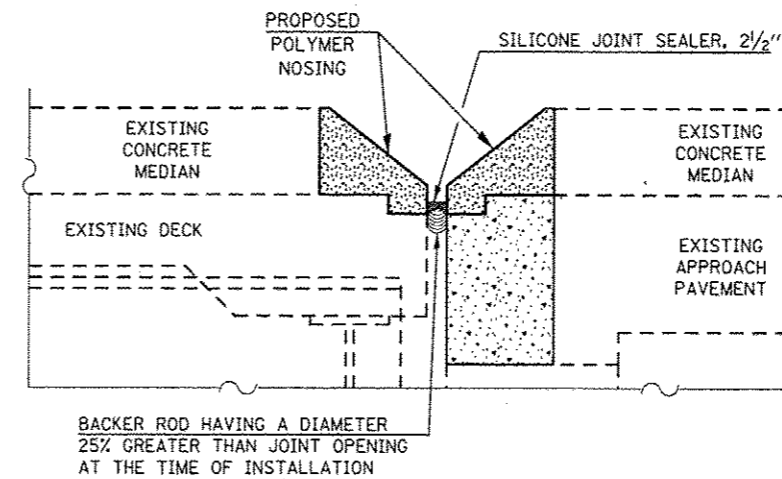
BACKER ROD HAVING A DIAMETER 25% GREATER THAN JOINT OPENING AT THE TIME OF INSTALLATION



SECTION AT PARAPET



SECTION AT MEDIAN



PROFILE OF PROPOSED JOINT THRU MEDIAN

BILL OF MATERIALS

ITEM	UNIT	TOTAL
SILICONE JOINT SEALER, 2 1/2"	FOOT	139.0

NOTES

THE EXISTING SILICONE JOINT SEALER AND POLYMER CONCRETE NOSING ON THE APPROACH SIDE OF THE EXPANSION JOINTS ARE TO BE REMOVED AS DETAILED ON PREVIOUS SHEETS. COST INCLUDED IN CONCRETE REMOVAL.

SEE SHEETS 2-3 OF 5 FOR CONCRETE REMOVAL, CONCRETE SUPERSTRUCTURES & POLYMER CONCRETE DETAILS AND QUANTITIES.