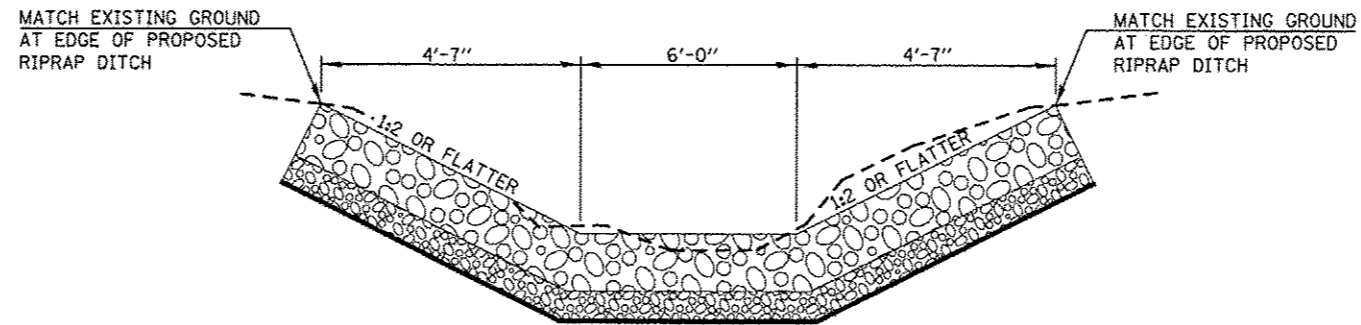
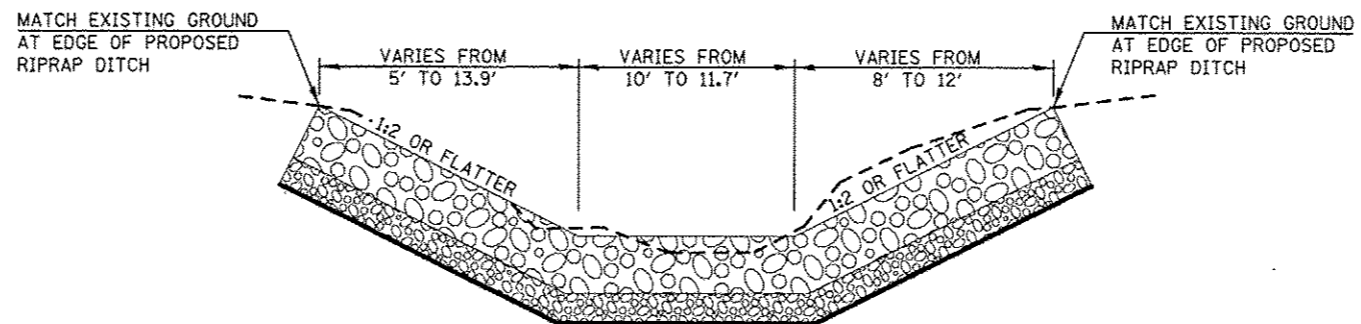


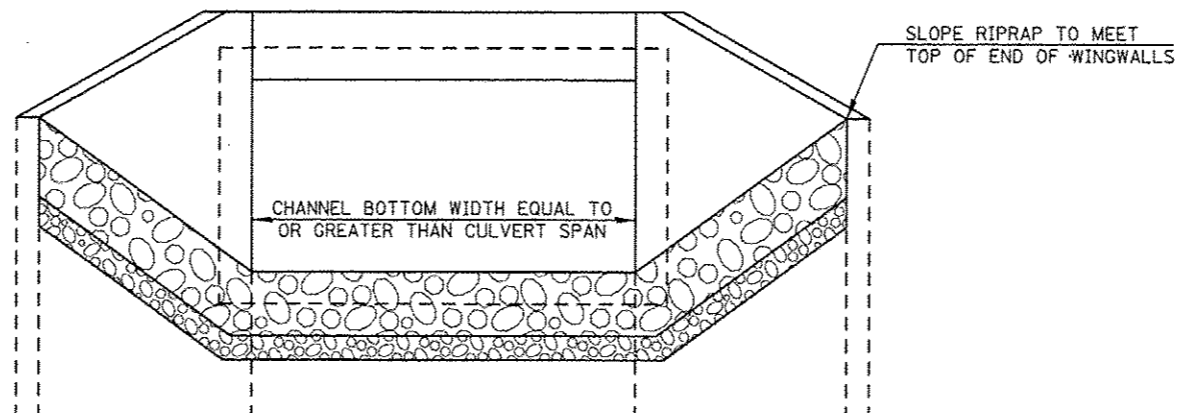
TYPICAL CROSS SECTION OF PROPOSED RIPRAP DITCH LOOKING DOWNSTREAM FROM S.N. 057-8204



TYPICAL CROSS SECTION OF PROPOSED RIPRAP DITCH LOOKING DOWNSTREAM FROM S.N. 057-8199



TYPICAL APPLICATION OF RIPRAP CULVERT END SECTION



FILE NAME > c:\p\work\p\p\dot\dodgema\0267571\057038-ahc-Hyd.dgn	USER NAME > dodgema	DESIGNED > GMS	REVISED > -	STATE OF ILLINOIS DEPARTMENT OF TRANSPORTATION	RIPRAP DETAILS S.N. 057-8199 & 057-8204	F.A.P. RTE. 704	SECTION (57-7)RS-1 & 1RS-3	COUNTY McLean	TOTAL SHEETS 273	SHEET NO. 125
PLOT SCALE > 1/4" = 10'-0"	PLOT DATE > 6/11/2014	DRAWN > GMS	CHECKED > BJM	DATE > 10-29-12	SCALE:	SHEET NO. - OF - SHEETS	STA.	TO STA.	ILLINOIS FED. AID PROJECT CONTRACT NO. 70838	