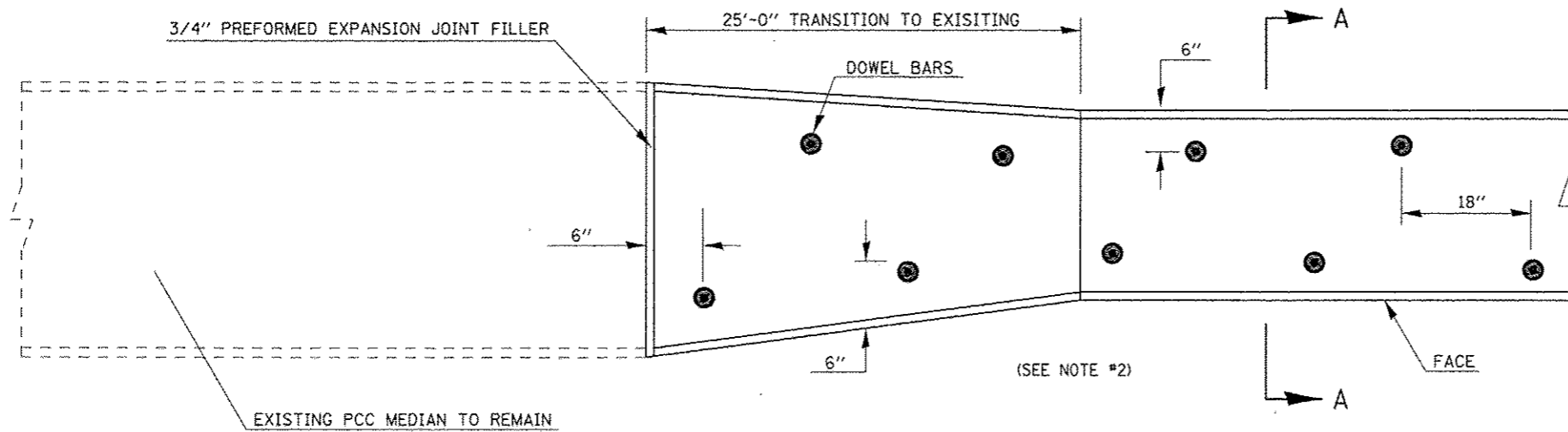


### GENERAL NOTES

1. THE GENERAL NOTES FOR STANDARD 606301 SHALL APPLY.
2. 12" DOWEL BARS @ 36" CTS. OR AS DIRECTED BY THE ENGINEER.
3. THIS WORK WILL BE PAID FOR AT THE CONTRACT UNIT PRICE PER SQ FOOT FOR CONCRETE MEDIAN, TYPE SM (DOWELLED), INCLUDING THE COST OF FURNISHING AND INSTALLING THE DOWEL BARS, MORTAR FILLING, PAVEMENT FABRIC, AND PREFORMED EXPANSION JOINT FILLER, AND NO ADDITIONAL COMPENSATION WILL BE ALLOWED.
4. PLACE PREFORMED EXPANSION JOINT FILLER IN ACCORDANCE WITH STANDARD 420001 @ MAXIMUM 50' CENTERS.
5. THE INTENT OF THIS WORK IS TO REPLACE THE PCC MEDIAN AT ITS EXISTING WIDTH AND LOCATION. DIMENSIONS SHOWN ARE NOMINAL AND CONSTITUTE THE BEST INFORMATION AVAILABLE TO THE DEPARTMENT AT THE TIME OF LETTING.



PLAN OF MEDIAN

Note: All dimensions are in INCHES (millimeters) unless otherwise shown.

• SEE PCC MEDIAN GRADE SHEETS FOR ELEVATION

FILE NAME	USER NAME	DESIGNED	REVISED	<b>STATE OF ILLINOIS DEPARTMENT OF TRANSPORTATION</b>	<b>CONCRETE MEDIAN, TYPE SM (DOWELLED)</b>	F.A.P. RTE.	SECTION	COUNTY	TOTAL SHEETS	SHEET NO.	
ct:\pw\work\p\widot\dodgema\d267571\05740338-shc-detail.dgn	dodgema	BJM	-			704	(57-7)RS-1 & 1RS-3	McLean	273	137	
PLOT SCALE	40.0000 / 1" = 40'	CHECKED	BJM			CONTRACT NO. 70838					
PLOT DATE	6/11/2014	DATE	11/5/2012			SCALE:	SHEET 1 OF 1 SHEETS	STA.	TO STA.	ILLINOIS FED. AID PROJECT	