

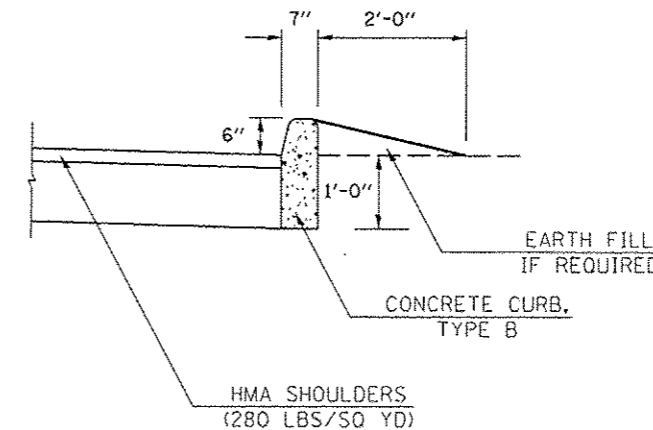
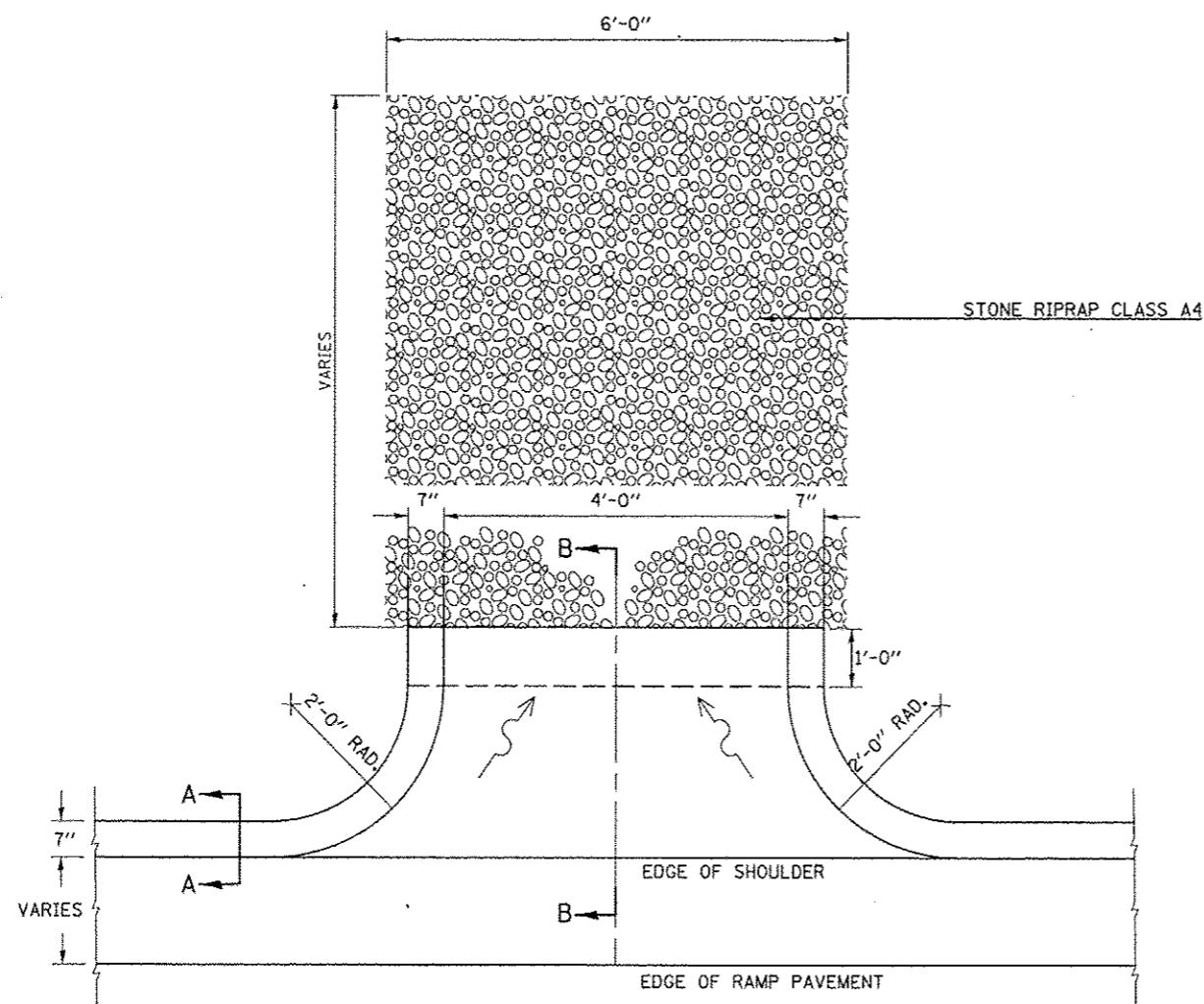
CONCRETE CURB, TYPE B AND CLASS SI CONCRETE OUTLET

GENERAL NOTES

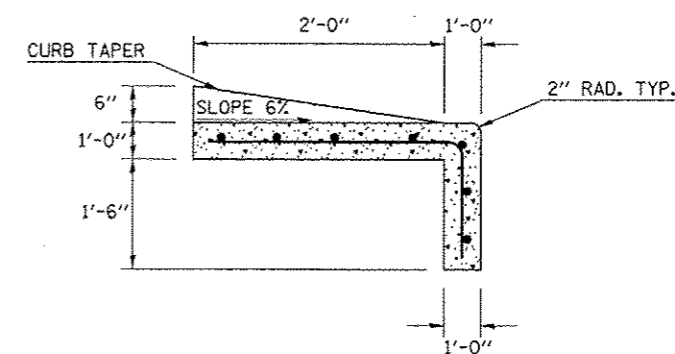
1. CLASS SI CONCRETE SHALL BE USED THROUGHOUT.
2. WELDED WIRE FABRIC WEIGHING NOT LESS THAN 58 LBS./ 100 SQ. FT. SHALL BE USED THROUGHOUT.
3. TIE BARS SHALL BE PLACED AND TIED TO THE SHOULDER IN ACCORDANCE WITH DETAILS FOR LONGITUDINAL CONSTRUCTION JOINT SHOWN ON STD. 420001.
4. NO TIE BARS ARE REQUIRED WHEN NEXT TO FULL-DEPTH FLEXIBLE SHOULDER.
5. TIE BARS WILL NOT BE PAID FOR SEPARATELY BUT SHALL BE CONSIDERED TO BE INCLUDED IN THE COST OF THE PAY ITEM "CLASS SI CONCRETE (OUTLET)".
6. THIS WORK WILL BE PAID FOR AT THE CONTRACT UNIT PRICE PER CUBIC YARD FOR CLASS SI CONCRETE (OUTLET).

DETAIL LOCATIONS:

NE RAMP STA 11+75 RT.
NE RAMP STA 13+75 RT.
NE RAMP STA 15+65 RT.



SECTION A-A



SECTION B-B

FILE NAME	USER NAME	DESIGNED	REVISED	STATE OF ILLINOIS DEPARTMENT OF TRANSPORTATION	CONCRETE CURB, TYPE B AND CLASS SI CONCRETE OUTLET	F.A.P. RTE.	SECTION	COUNTY	TOTAL SHEETS	SHEET NO.
ca:\pwork\p1\do\dodgema\08267571\0570338-sht-details.dgn	dodgema	- BJM	-			704	(57-7)RS-1 & 1RS-3	McLean	273	141
#MODELNAME	PLOT SCALE	CHECKED	REVISI		SCALE:	SHEET 1 OF 1 SHEETS		TO STA.	CONTRACT NO. 70838	
	PLOT DATE	DATE	REVISI			ILLINOIS FED. AID PROJECT				