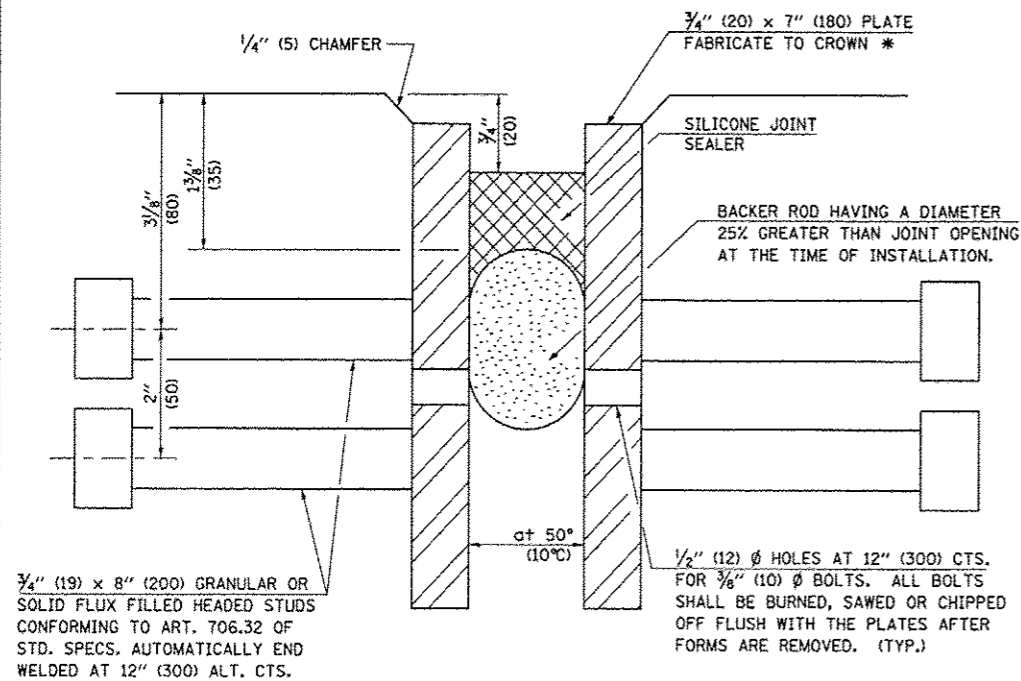


# SILICONE JOINT SEALER

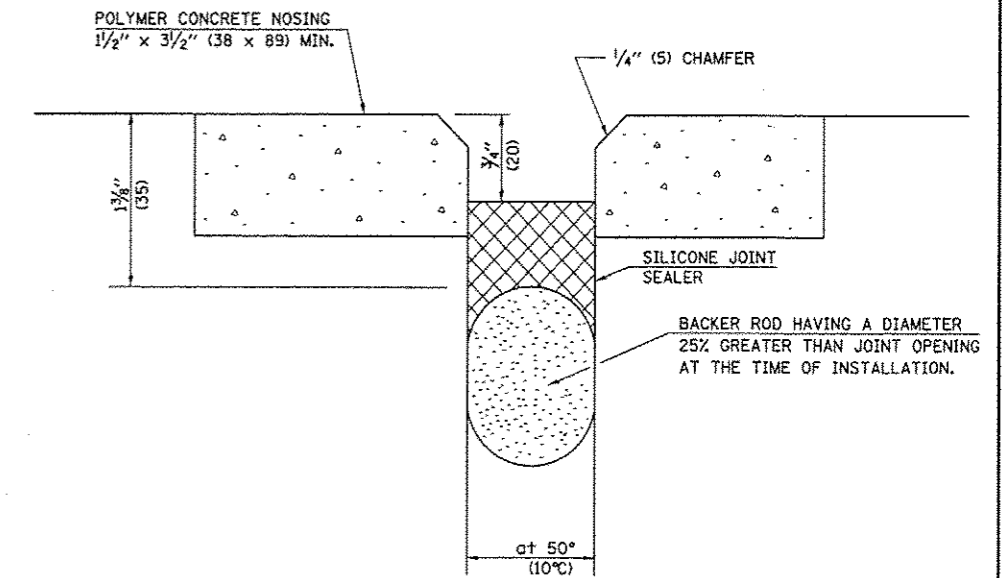
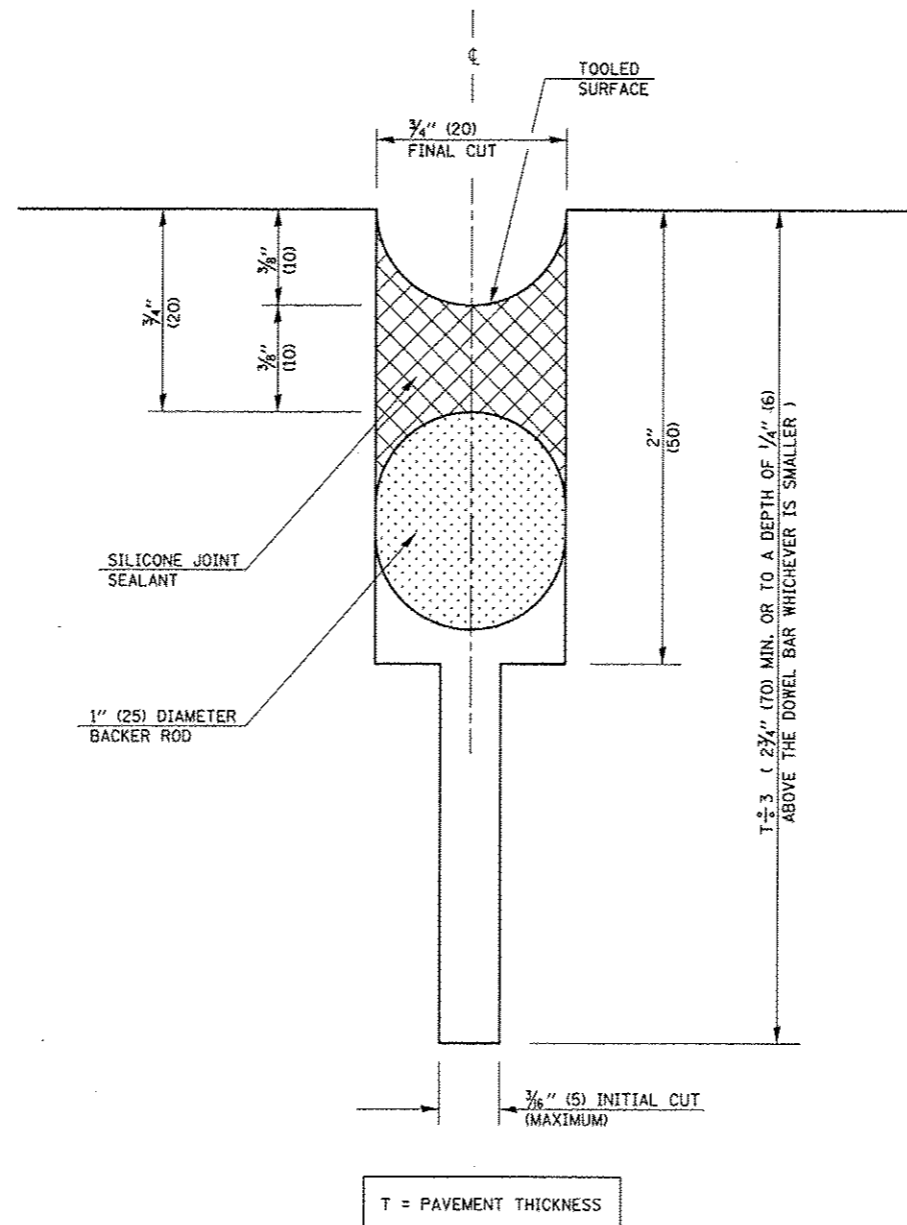
## PAVEMENT JOINTS

## CONCRETE DETAILS

## STEEL DETAILS



\* FURNISH IN SEGMENTS OF 20 FT. (6 m) MAXIMUM LENGTH. MAXIMUM SPACE BETWEEN INSTALLED SEGMENTS SHALL BE 1/4" (5 mm). SEAL SPACE WITH SILICONE SEALANT SUITABLE FOR STRUCTURAL STEEL.



Note: All dimensions are in INCHES (millimeters) unless otherwise shown.

FILE NAME :	USER NAME :	DESIGNED :	REVISED :
c:\pwr\work\pwr\dots\dodgema\d0267571\0570030-shi-details.dgn	dodgema	-	12/06
		DRAWN :	REVISED :
		-	-
		CHECKED :	REVISED :
		-	-
		DATE :	REVISED :
		-	-

STATE OF ILLINOIS  
DEPARTMENT OF TRANSPORTATION

SILICONE JOINT SEALER

SCALE: SHEET NO. 1 OF 1 SHEETS STA. TO STA.

DISTRICT 5 DETAIL NO. X0301424				
F.A.P. RTE.	SECTION	COUNTY	TOTAL SHEETS	SHEET NO.
704	(57-7)RS-1 & 1RS-3	MoLea	273	152
FED. ROAD DIST. NO. ILLINOIS FED. AID PROJECT			CONTRACT NO. 70838	