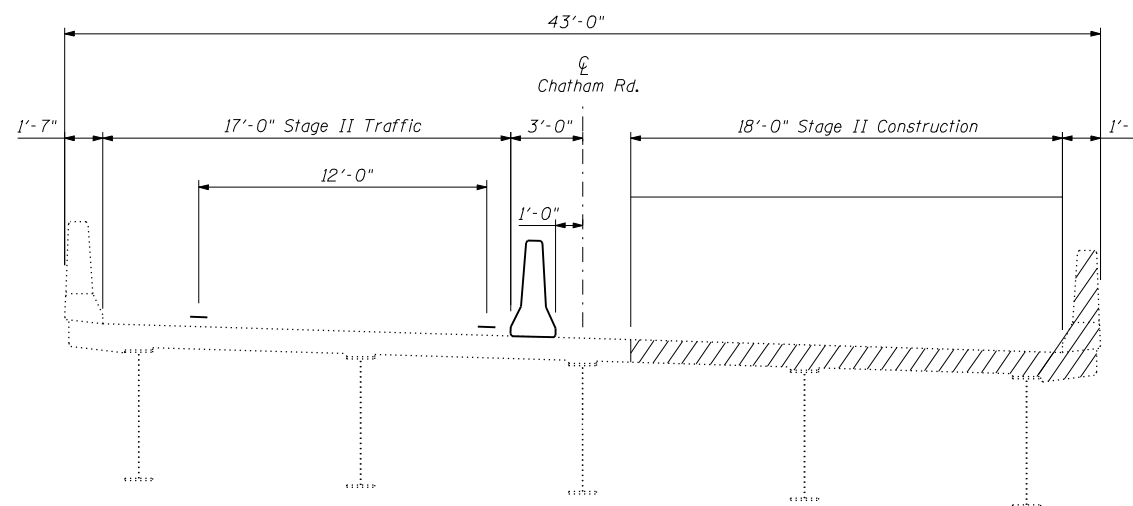
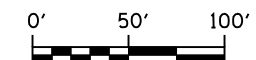


STAGE I  
(Looking south)



STAGE II  
(Looking south)



design firm  
no. 184001036



USER NAME = gjameson	DESIGNED -	REVISED
FILE NAME = D672854.plt sht chatham	CHECKED -	REVISED
PLOT SCALE = 8.0000' / IN.	DRAWN -	REVISED
PLOT DATE = 8/25/2014	CHECKED -	REVISED

**STATE OF ILLINOIS  
DEPARTMENT OF TRANSPORTATION**

**STAGE I & STAGE II MAINTENANCE OF TRAFFIC  
SN 084-0185, CHATHAM RD. OVER FAI 72**

SCALE: NTS    SHEET NO. 5 OF 5 SHEETS    STA. N/A TO STA. N/A

F.A.I. RTE.	SECTION	COUNTY	TOTAL SHEETS	SHEET NO.
72		SANGAMON	163	104
•(84-9-2&3)RS-2&MISC STRUC REP			CONTRACT NO. 72B54	
ILLINOIS FED. AID PROJECT				