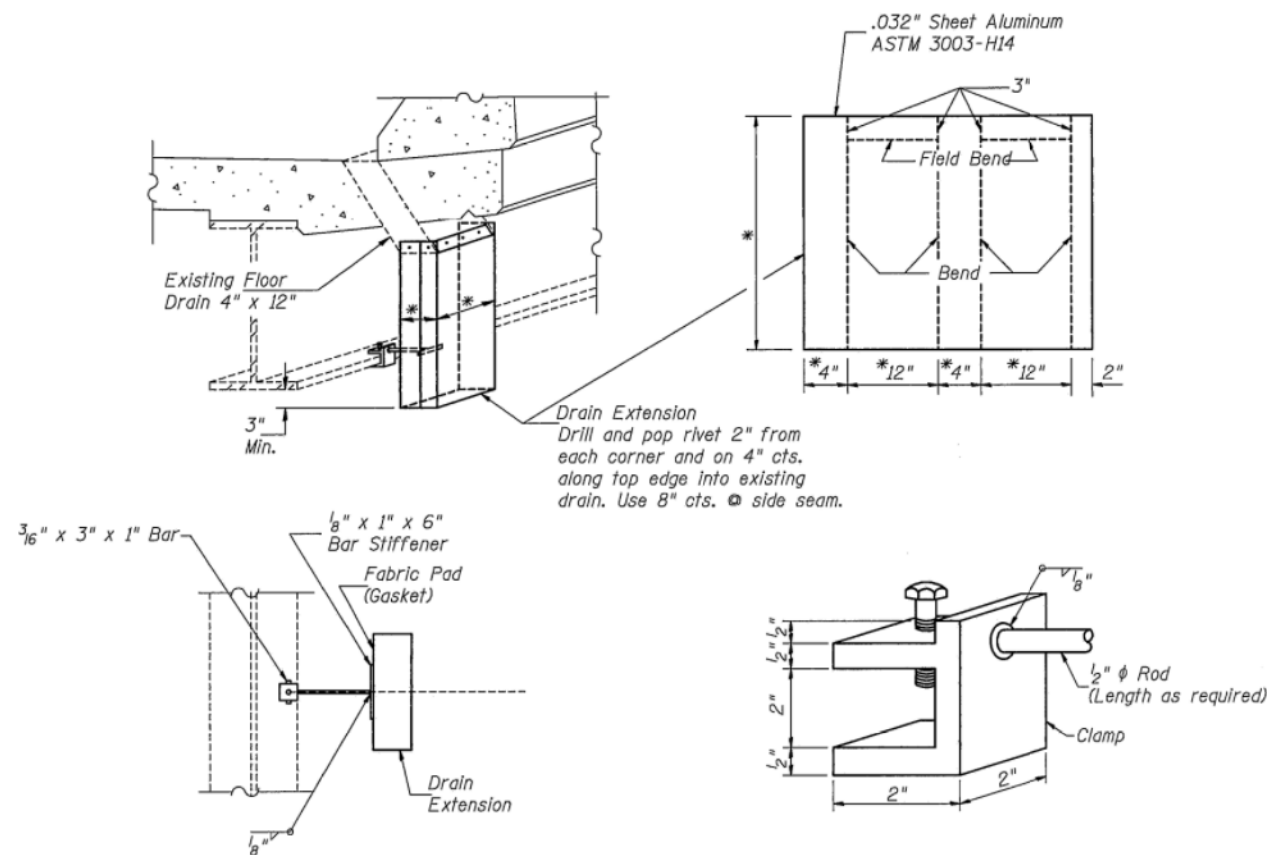


F.A.I. ROUTE NO.	SEC.	COUNTY	TOTAL SHEETS	SHEET NO.
72	.	MORGAN SANGAMON	98	96
FED. ROAD DIST. NO. 1	ILLINOIS	PROJECT		

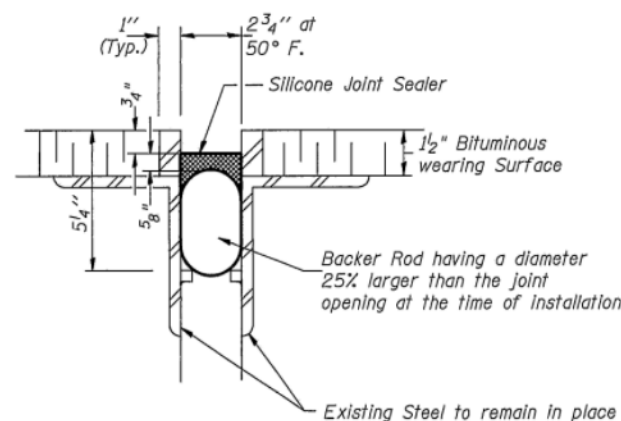
SHEET NO. 2
2 SHEETS

DISTRICT 6 RESURFACING 2000

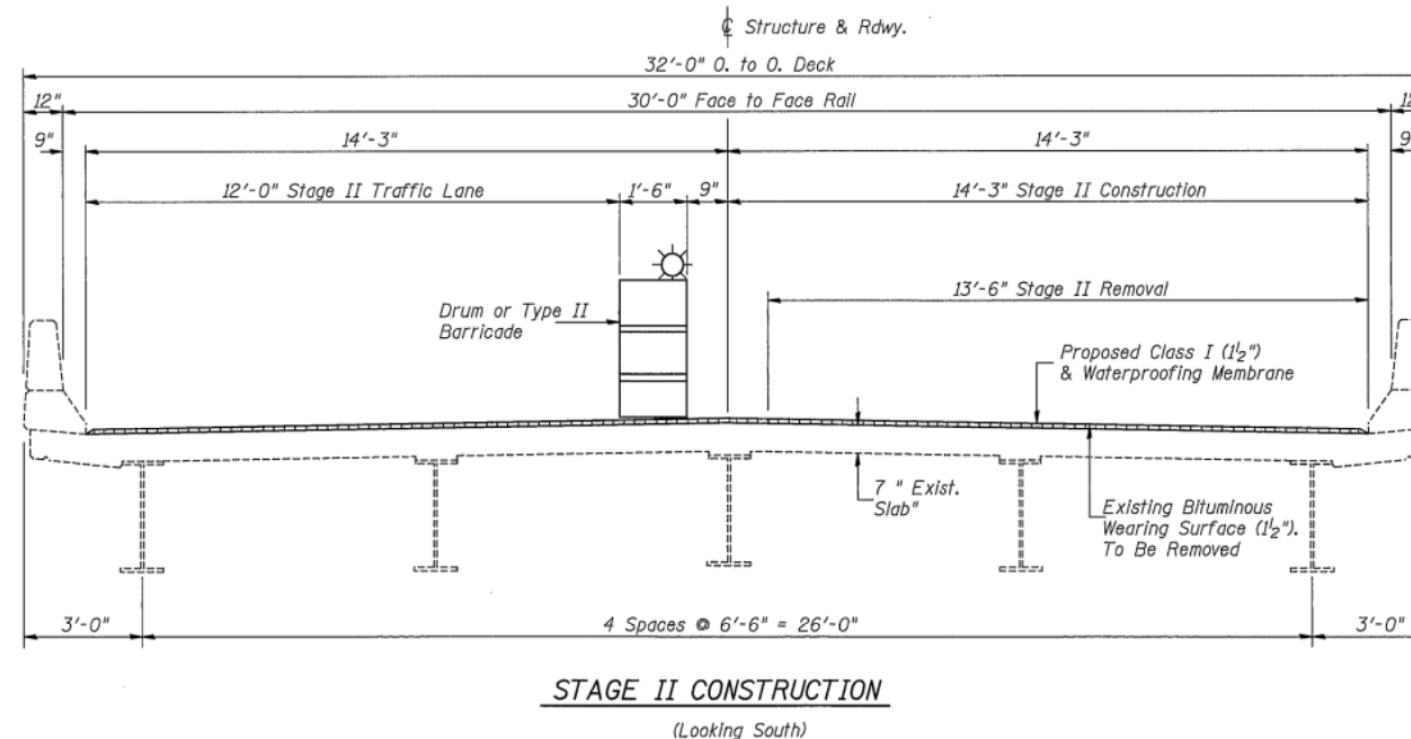
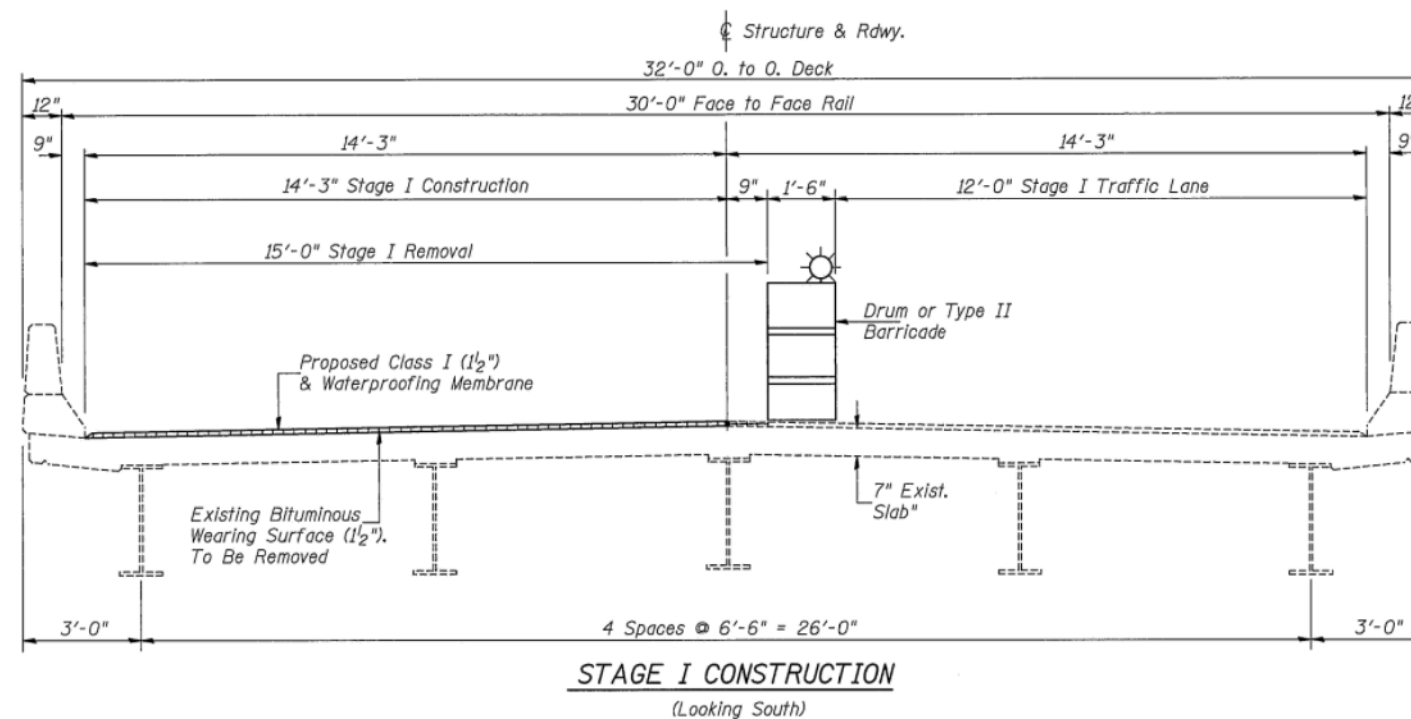
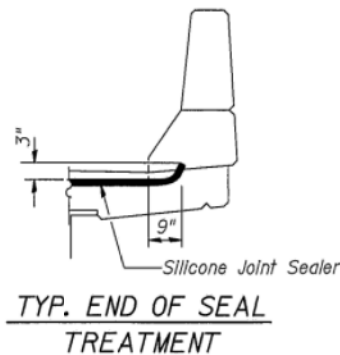


Notes: Pop rivet the $\frac{1}{8}$ " x 1" bar to Drain Extension. Weld or securely attach rod to both the clamp and bar stiffener. Use $\frac{3}{16}$ " stainless steel pop rivets of sufficient length. Clamp shown in approximate dimensions. Similar type commercially available may be substituted. An aluminum extrusion drain of similar dimensions may be substituted.
* Field measure cut to fit existing drain.

DECK DRAIN EXTENSION DETAIL



SILICONE JOINT SEALER DETAIL
(at Rt.L's to Joint)



DETAILS
I.R. 4 OVER F.A.I. 72
DISTRICT 6 RESURFACING 2000
MORGAN & SANGAMON COUNTYS
STATION 194+80.28
STR. NO. 084-0140

FOR INFORMATION ONLY

Design firm
no. 184001036



USER NAME =	DESIGNED - CEH	REVISED
FILE NAME =	CHECKED - CWC	REVISED
PLOT SCALE =	DRAWN - DLH	REVISED
PLOT DATE =	CHECKED - CEH/CWC	REVISED

STATE OF ILLINOIS
DEPARTMENT OF TRANSPORTATION

EXISTING PLANS
STRUCTURE NO. 084-0140

SHEET NO. 3 OF 13 SHEETS

F.A.I. RTE.	SECTION	COUNTY	TOTAL SHEETS	SHEET NO.
72	.	SANGAMON	163	107
CONTRACT NO. 72B54				

ILLINOIS FED. AID PROJECT
• (84-9-283)RS-2&MISC STRUC REP