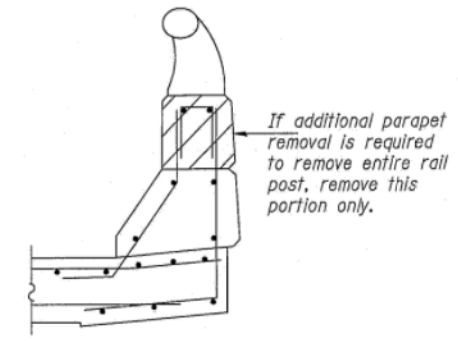
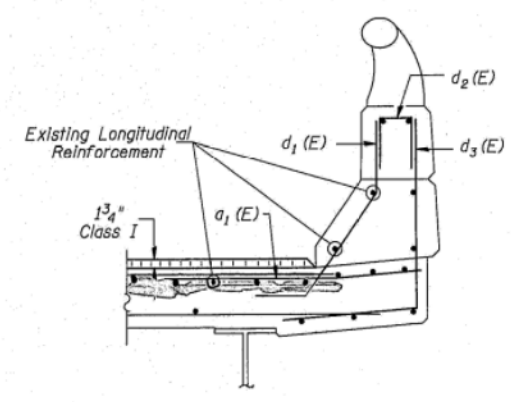
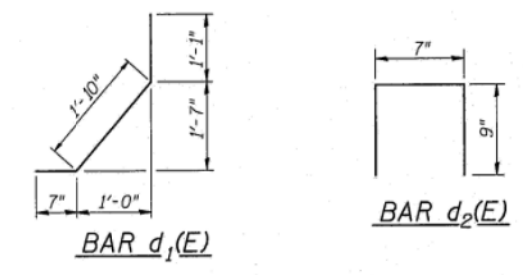
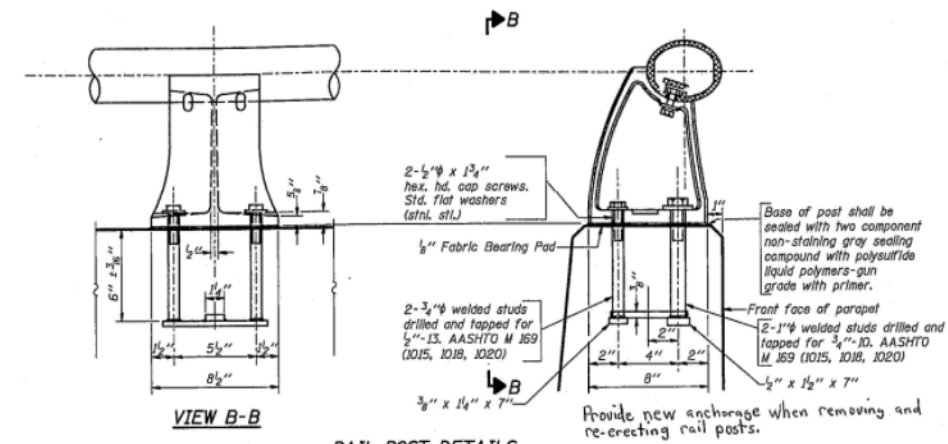


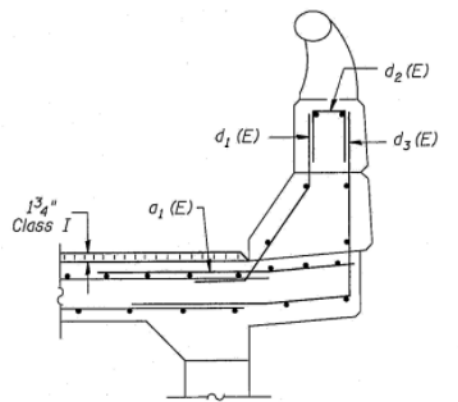
SECTION AT CURB



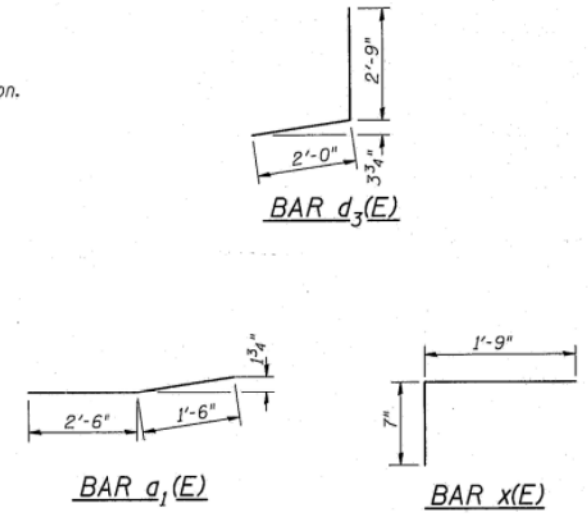
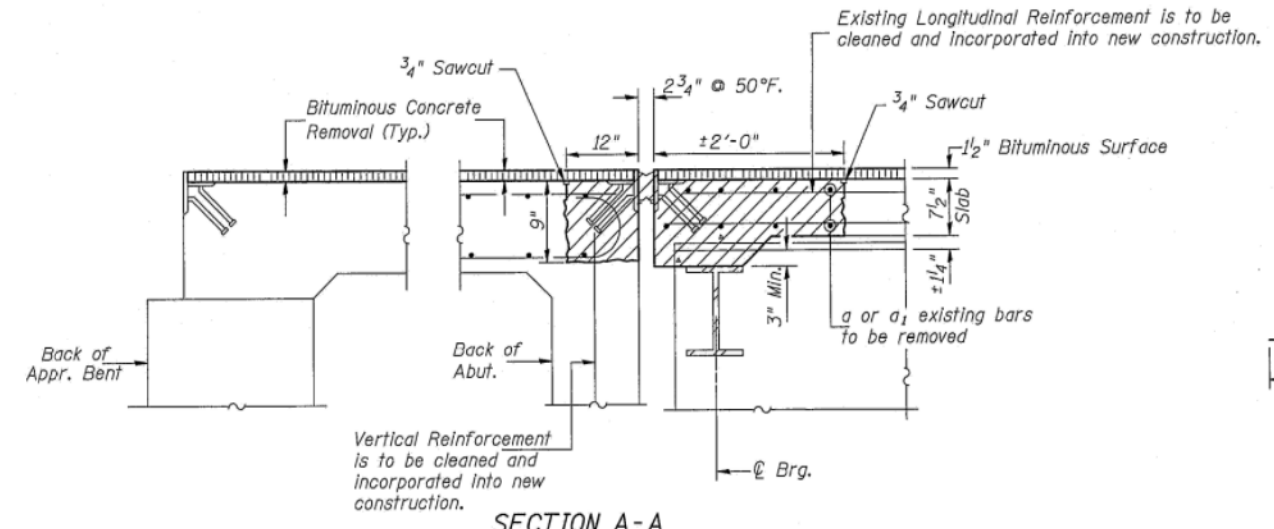
SECTION AT RAIL POST



CURB SECTION AT MAIN SPAN



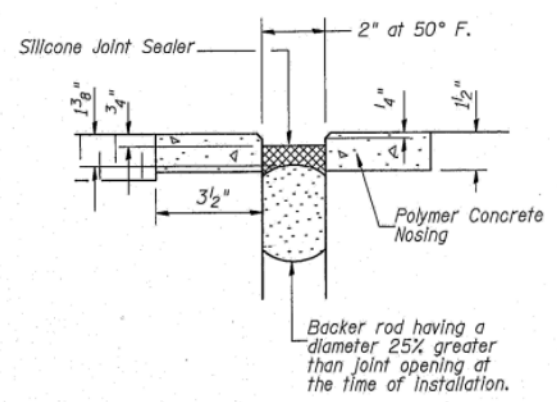
CURB SECTION AT VAULTED SPAN



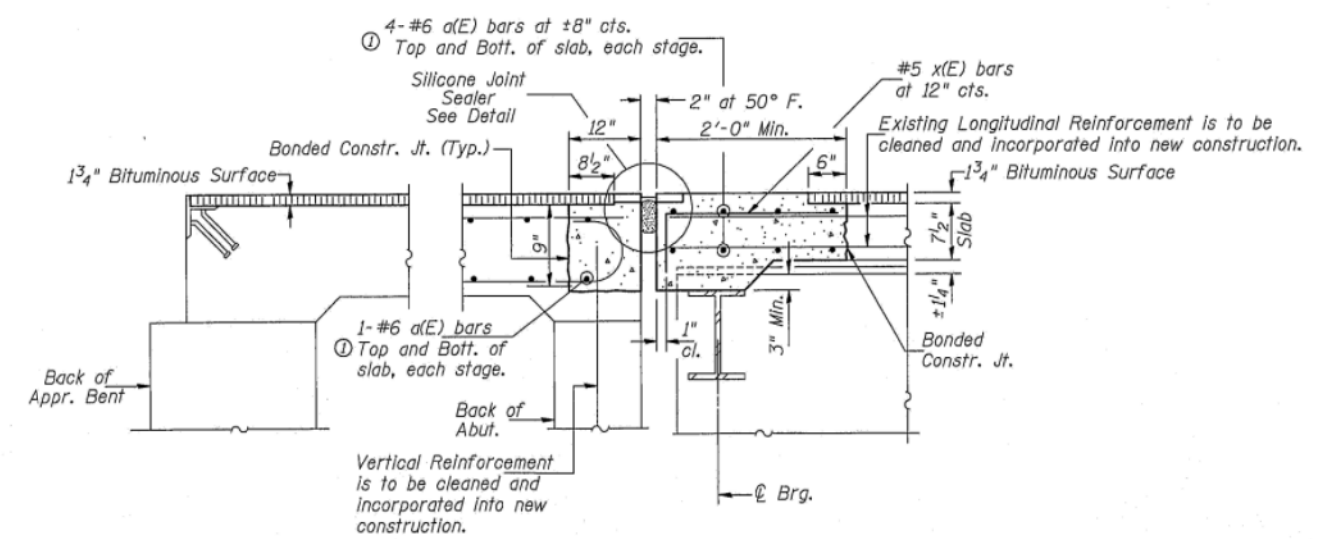
BILL OF MATERIAL (2 JOINTS)

BAR	NO.	SIZE	LENGTH	SHAPE	
$a(E)$	40	#6	13'-9"	—	
$a_1(E)$	12	#6	4'-0"	—	
$d_1(E)$	16	#5	3'-6"	┘	
$d_2(E)$	8	#4	2'-1"	□	
$d_3(E)$	16	#4	4'-9"	┘	
$x(E)$	58	#5	2'-4"	┘	
Concrete Superstructure				Cu. Yd.	5.4
Reinforcement Bars (Epoxy Coated)				Lbs.	1,160
Silicone Joint Sealer				Ft.	55
Polymer Concrete				Cu. Ft.	3.9

Reinforcement bars designated (E) shall be Epoxy Coated



SILICONE JOINT SEALER DETAIL



PROPOSED SECTION A-A
 See Sh.#3 of 4 for Stage Construction

EXPANSION JOINT DETAILS
 T.R. 156 (CURRAN RD) OVER F.A.I. 72
 DISTRICT 6 RESURFACING 2001 & 31-7
 SANGAMON COUNTY
 STATION 472+61.19
 STR. NO. 084-0146

FOR INFORMATION ONLY