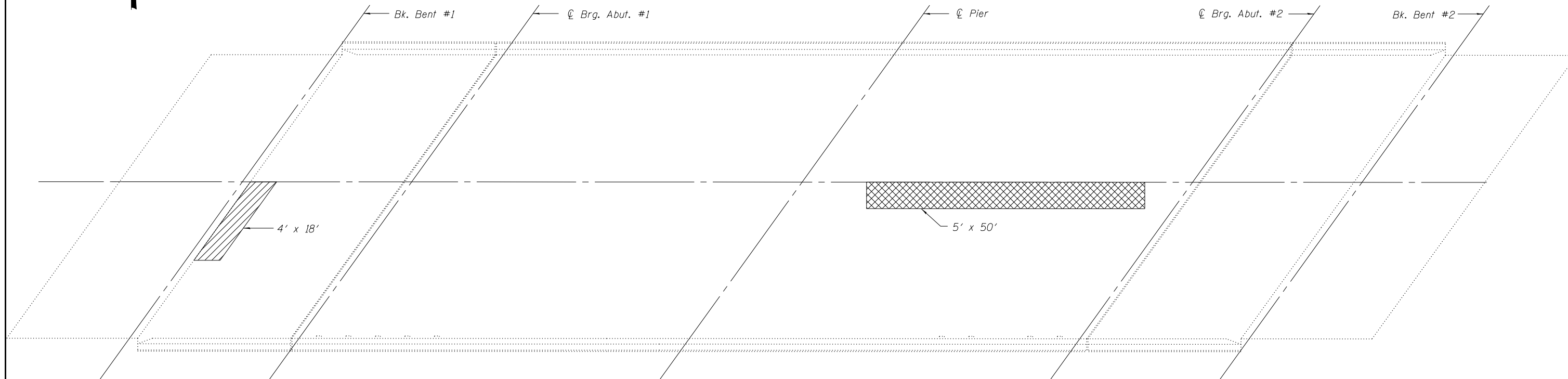


STRUCTURE NO. 084-0148 (W.B.)

Notes:
 Hatching indicates Deck Slab Repair (Partial).
 Cross hatching indicates Deck Slab Repair (Full Depth, Type II).



STRUCTURE NO. 084-0149 (E.B.)

USER NAME = dheberling	DESIGNED - CEH	REVISED
FILE NAME = 0840148-0149-72854 (Deck Slab Repair).dwg	CHECKED - DLH	REVISED
PLOT SCALE = 0:2.00" = 1' / in.	DRAWN - DLH	REVISED
PLOT DATE = 8/25/2014	CHECKED - CEH	REVISED

F.A.I. RTE.	SECTION	COUNTY	TOTAL SHEETS	SHEET NO.
72	•	SANGAMON	163	124
CONTRACT NO. 72B54				