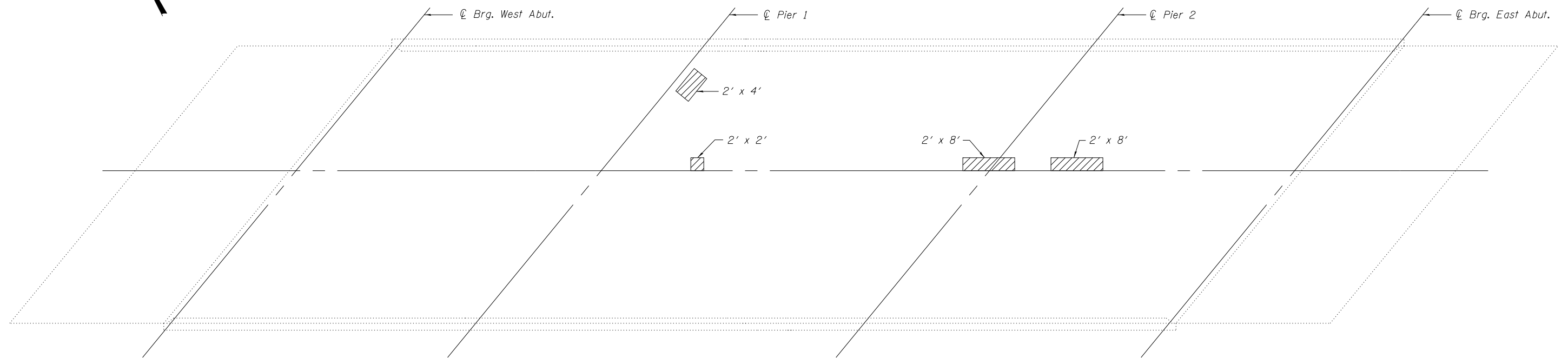


**STRUCTURE NO. 084-0128 (W.B.)**

Note:  
Hatching indicates Deck Slab Repair (Partial).



**STRUCTURE NO. 084-0127 (E.B.)**

Design firm  
no. 184001036



USER NAME =	DESIGNED - CEH	REVISED
FILE NAME =	CHECKED - BRD	REVISED
PLOT SCALE =	DRAWN - DLH	REVISED
PLOT DATE =	CHECKED - CEH	REVISED

**STATE OF ILLINOIS  
DEPARTMENT OF TRANSPORTATION**

**DECK SLAB REPAIR PLANS  
STRUCTURE NO. 084-0127 & 084-0128**

SHEET NO. 2 OF 3 SHEETS

F.A.I. RTE.	SECTION	COUNTY	TOTAL SHEETS	SHEET NO.
72	•	SANGAMON	163	128
CONTRACT NO. 72B54				

ILLINOIS FED. AID PROJECT  
• (84-9-2&3)RS-2&MISC STRUC REP