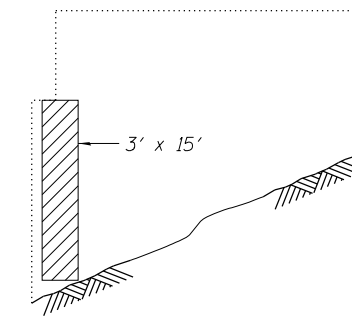
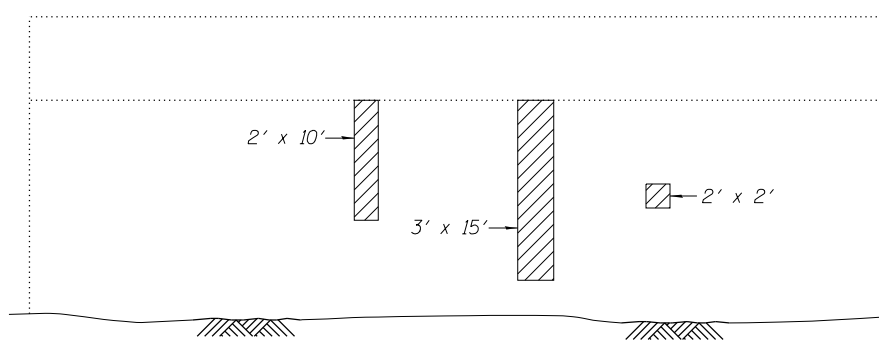
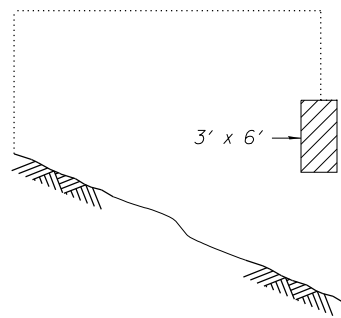


SIDE ELEVATION - WEST FACE

NORTH ABUTMENT ELEVATION - SN 084-0137

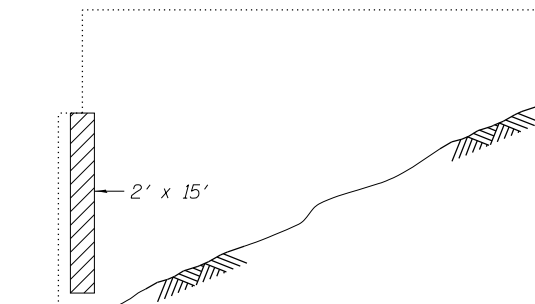
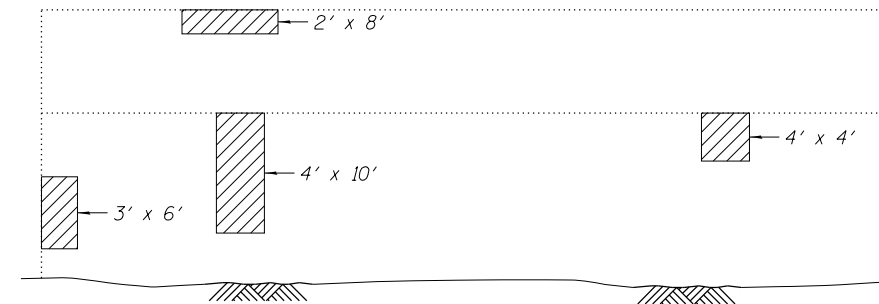
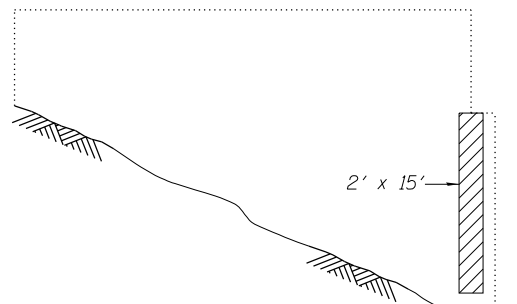
SIDE ELEVATION - EAST FACE



SIDE ELEVATION - EAST FACE

SOUTH ABUTMENT ELEVATION - SN 084-0137

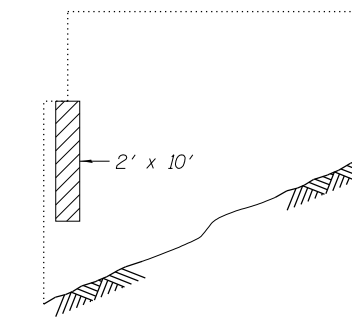
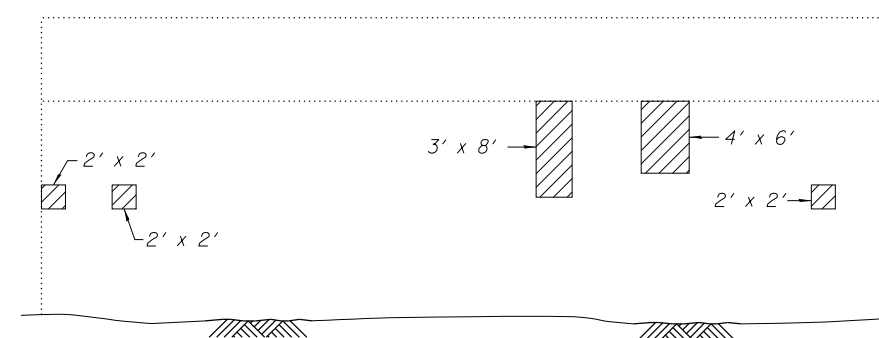
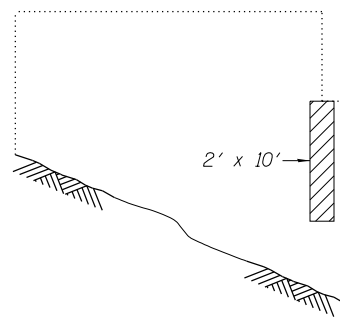
SIDE ELEVATION - WEST FACE



SIDE ELEVATION - WEST FACE

NORTH ABUTMENT ELEVATION - SN 084-0136

SIDE ELEVATION - EAST FACE



SIDE ELEVATION - EAST FACE

SOUTH ABUTMENT ELEVATION - SN 084-0136

SIDE ELEVATION - WEST FACE

Note:
Hatching indicates Structural Repair of Concrete (Depth Equal to or Less than 5 in.).

BILL OF MATERIAL

ITEM	UNIT	TOTAL
Structural Repair of Concrete (Depth Equal to or Less than 5 in.)	Sq. Ft.	462