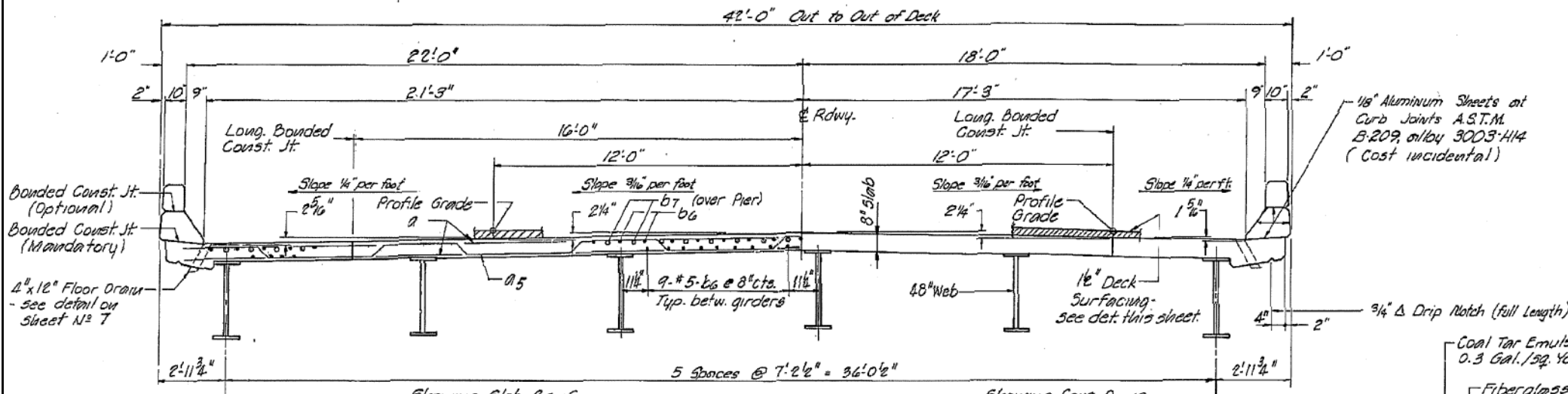


Note:
All edges shall have 3/16" chamfers
unless otherwise noted.

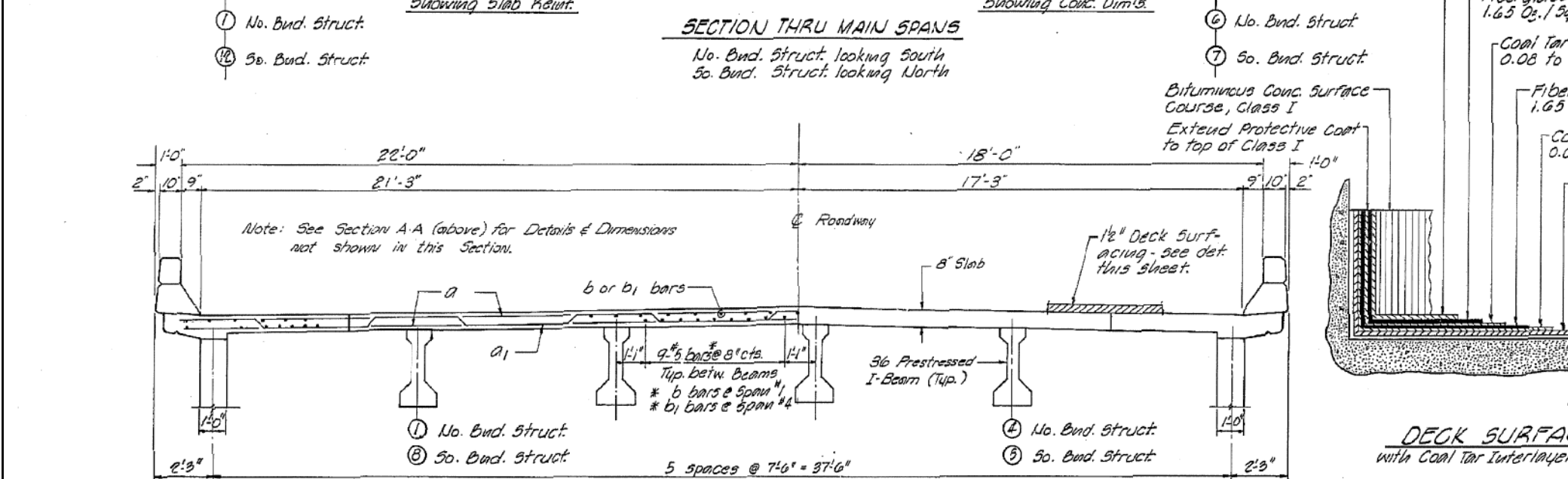
ROUTE NO.	SECTION	COUNTY	TOTAL SHEETS	SHEET NO.
FA 68	3-1	SANGAMON	221	114
CD B ROAD DIST NO.		ILLINOIS PROJECT		

Sheet No 8
of 22 Sheets



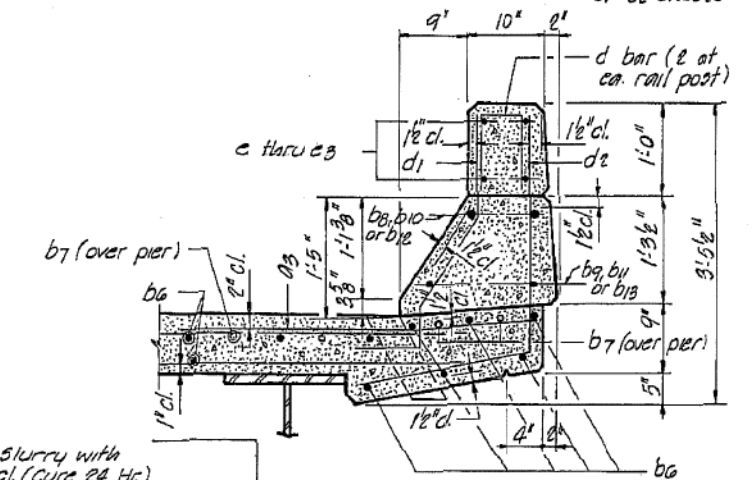
SECTION THRU MAIN SPANS

No. Bnd. Struct. looking South
So. Bnd. Struct. looking North



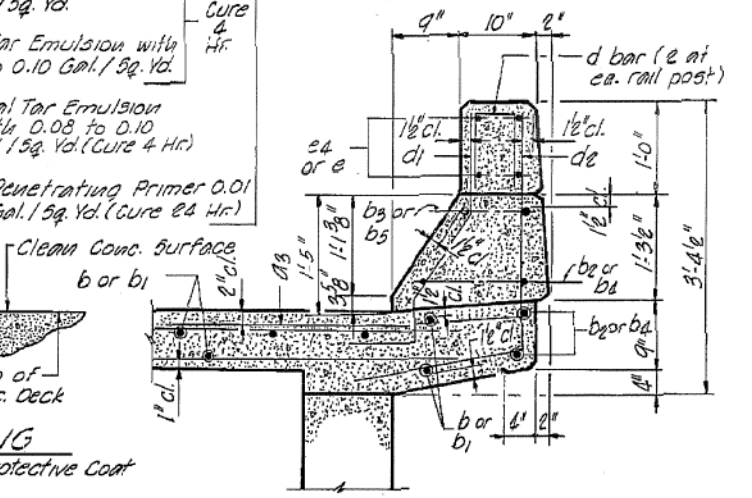
SECTION THRU APPROACH SPANS

No. Bnd. Struct. looking South
So. Bnd. Struct. looking North

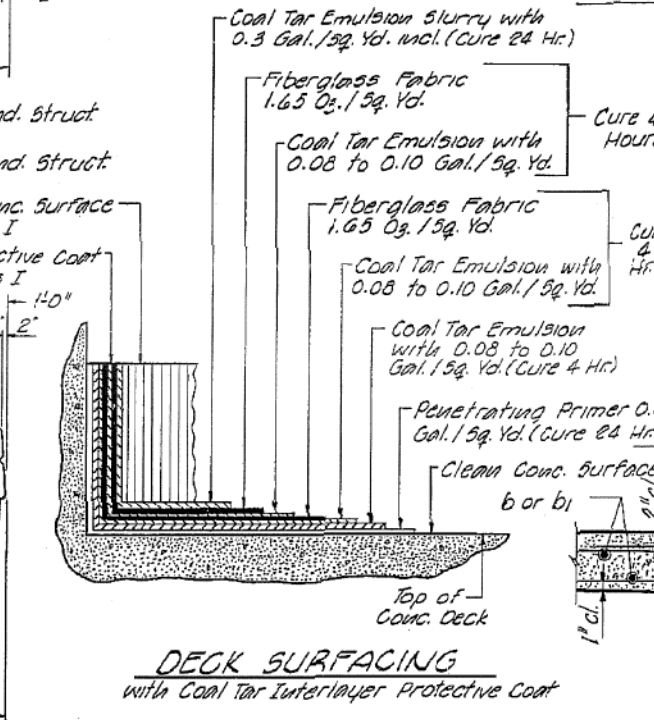


DETAIL OF CURB REINF. MAIN SPAN

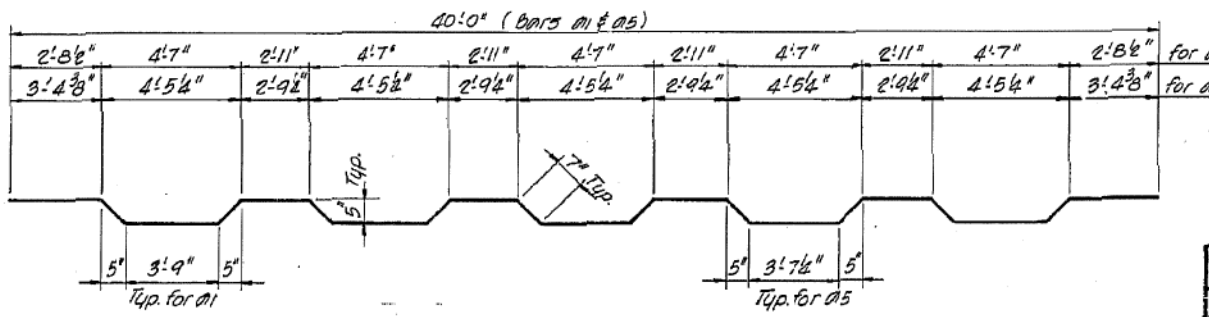
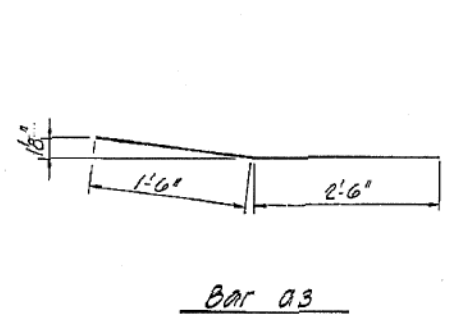
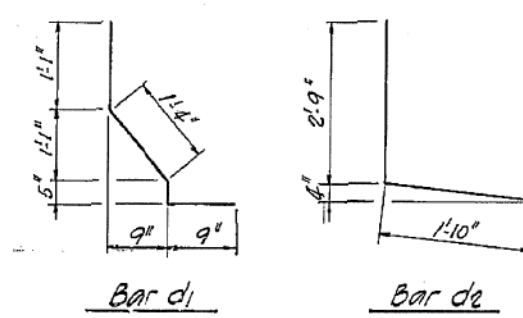
To be paid for as: Coal Tar Interlayer Protective Coat.



DETAIL OF CURB REINF. APPROACH SPAN



DECK SURFACING
with Coal Tar Interlayer Protective Coat



Bars a1 & a5

N.B. & S.B. STRUCT. CONCRETE DECK

REVISIONS		STATE OF ILLINOIS DEPT. OF PUBLIC WORKS AND BUILDINGS DIVISION OF HIGHWAYS F.A. 68 OVER F.A. 196 SECTION 3-4B PROJ. STA. 495+92.26 (F.A. 68) SANGAMON CO.		DRAWN BY DATE RES 11-77 CHECKED BY DATE RES 11-5-77 PROJECT NO. 2251-2 SHEET NO.	
1	6-28-78	RES			
2					
3					
4					
5					
6					
7					
8					
9					
10					

FOR INFORMATION ONLY

STATE OF ILLINOIS
DEPARTMENT OF TRANSPORTATION

EXISTING PLANS
STRUCTURE NO. 084-0136 & 084-0137

F.A.I. RTE.	SECTION	COUNTY	TOTAL SHEETS	SHEET NO.
72		SANGAMON	163	136
			CONTRACT NO. 72B54	



USER NAME =	DESIGNED - CEH	REVISED
FILE NAME =	CHECKED - CWC	REVISED
PLOT SCALE =	DRAWN - DLH	REVISED
PLOT DATE =	CHECKED - CEH/CWC	REVISED

SHEET NO. 5 OF 6 SHEETS

ILLINOIS FED. AID PROJECT
• (84-9-28)3RS-2&MISC STRUC REP