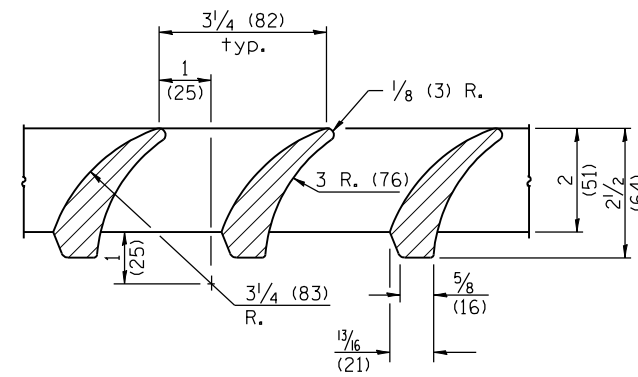


SECTION C-C

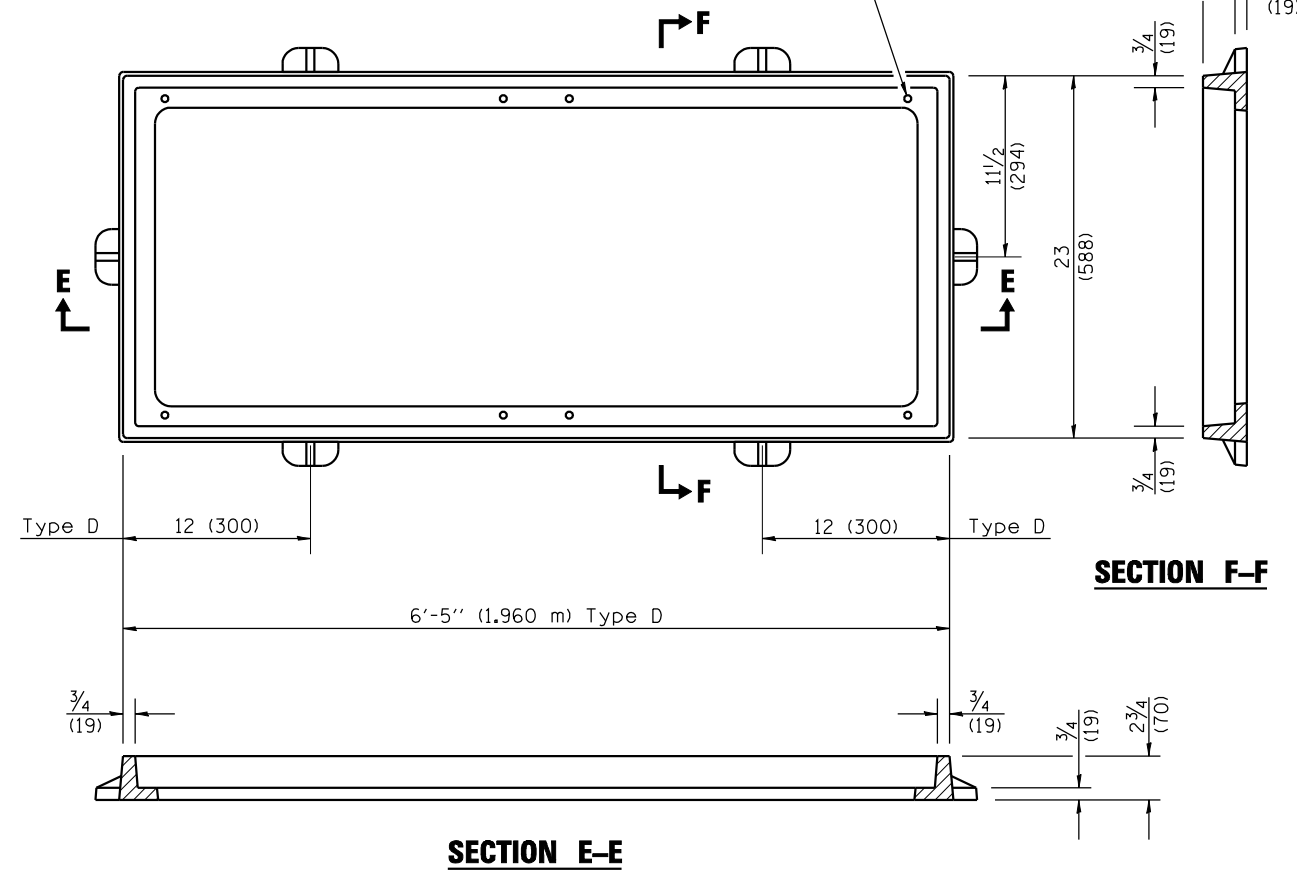
DETAIL OF CAST GRATE

Type D requires 3 grates



DETAIL B

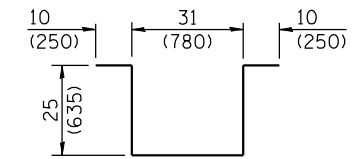
1/2 (13) Dia. tapped hole for bolting down grate, four places each frame.



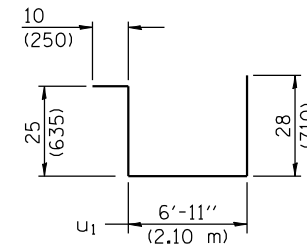
SECTION E-E

DETAIL OF CAST FRAME

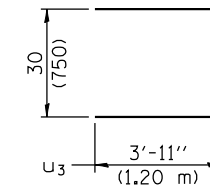
(Type D shown)



BAR u



BAR u1



BAR u3

INLET BOX

TYPE D			
Bar	Qty.	Size	Length
u	8	No. 4 (No.13)	8'-5" (2,550 m)
u1	4	No. 4 (No.13)	12'-2" (3,695 m)
u3	6	No. 4 (No.13)	10'-4" (3,150 m)
Concrete		cu. yds. (m ³)	1.1 (0.8)
Reinf. bars		lbs. (kg)	120.0 (54.0)
Grating		sq. ft. (m ²)	10.9 (1.02)