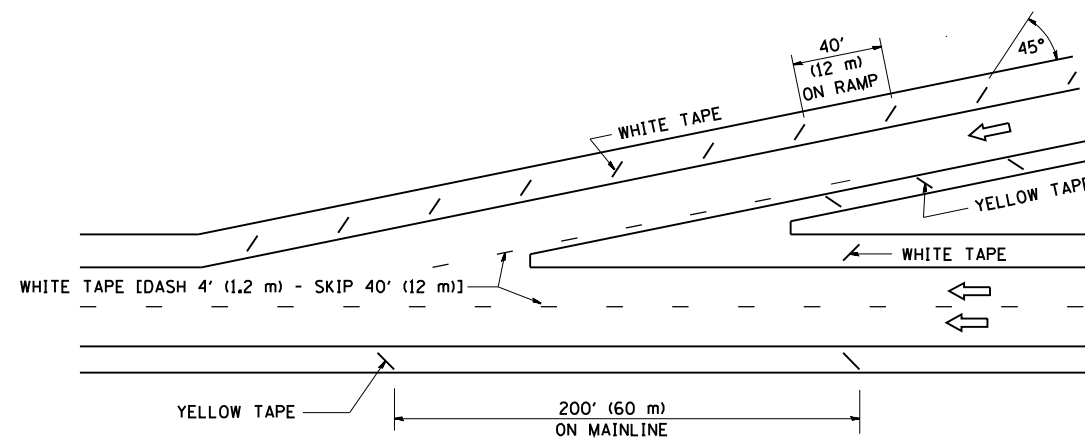
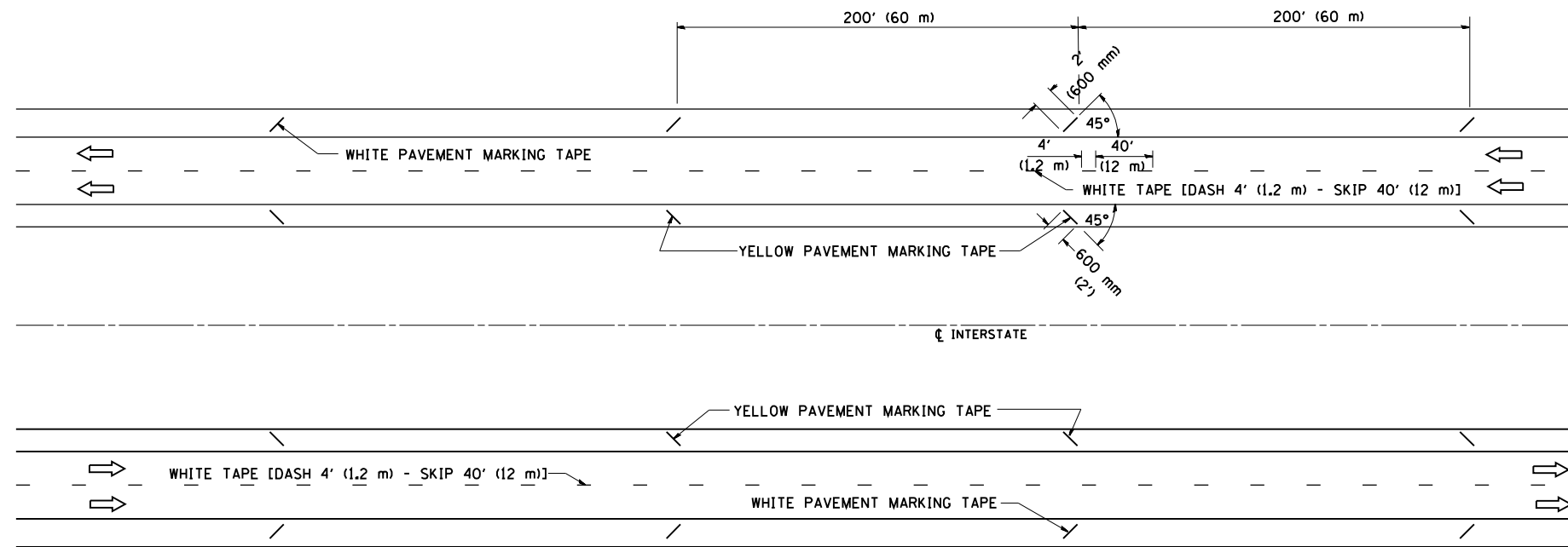
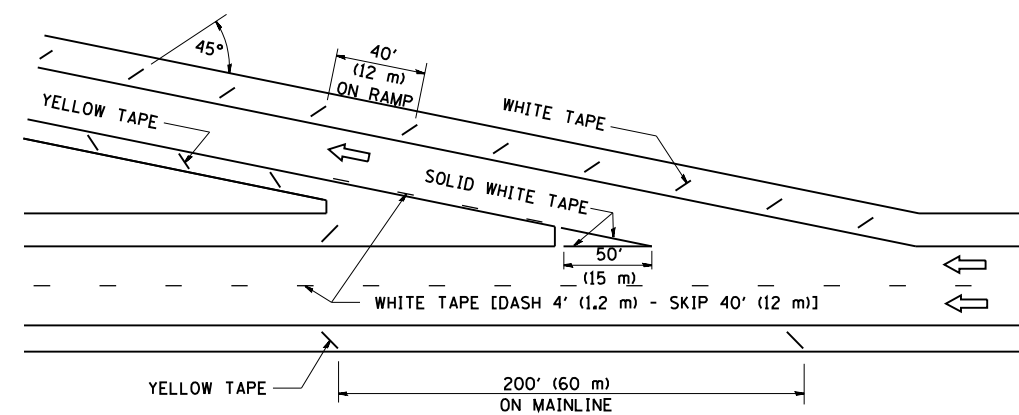


TYPICAL SHORT TERM PAVEMENT MARKING FOR INTERSTATE ROUTES

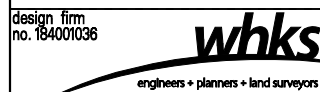


TYPICAL ENTRANCE TERMINAL



TYPICAL EXIT TERMINAL

TEMPMK.DGN



USER NAME = gjameson	DESIGNED -	REVISOR
FILE NAME = D672854-short term pavement detail.dwg	CHECKED -	REVISION
PLOT SCALE = 40.0000' / IN.	DRAWN -	REVISION
PLOT DATE = 8/25/2014	CHECKED -	REVISION

STATE OF ILLINOIS
DEPARTMENT OF TRANSPORTATION

SHORT TERM PAVEMENT MARKING
FOR INTERSTATE ROUTES

SCALE: SHEET NO. OF SHEETS STA. TO STA.

F.A.I. RTE.	SECTION	COUNTY	TOTAL SHEETS	SHEET NO.
72		SANGAMON	163	160
•(84-9-2&3)RS-2&MISC STRUC REP			CONTRACT NO. 72B54	
ILLINOIS FED. AID PROJECT				