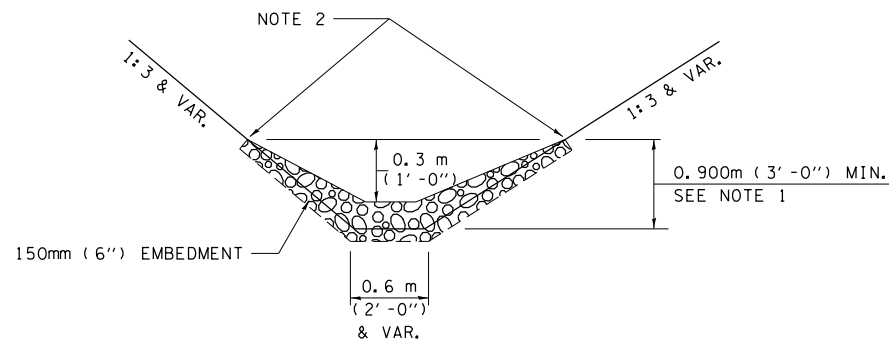


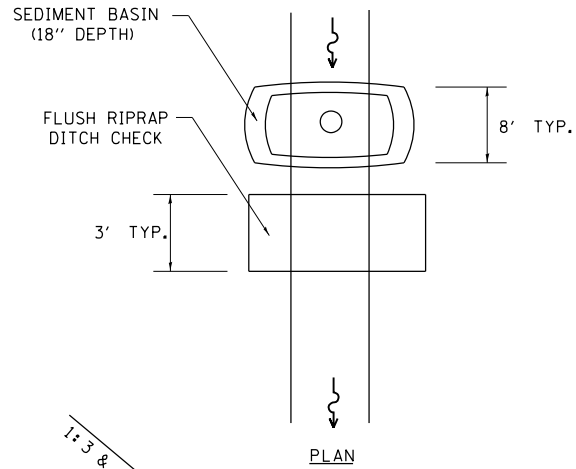
PLAN



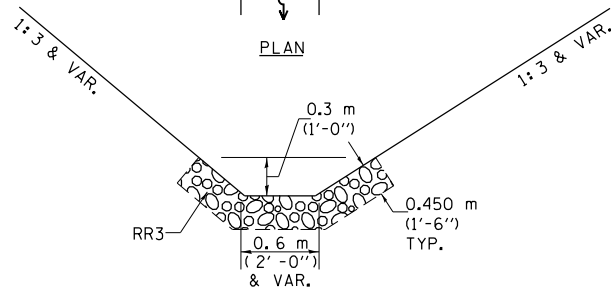
ELEVATION

OPTION 1

(EXTRUDING DITCH CHECK)
RECOMMENDED FOR AREAS
W/ RIPRAP DITCH LINING



PLAN



ELEVATION

OPTION 2

(FLUSH DITCH CHECK)
RECOMMENDED FOR AREAS
W/O RIPRAP DITCH LINING

STONE DUMPED RIPRAP DITCH CHECK

OPTIONS 1 & 2 OR
AS DIRECTED BY THE ENGINEER

NOTE 1: RIPRAP SHALL EXTEND FAR ENOUGH UP THE SLOPES TO ALLOW 0.3m (1') OVERTOPPING TO AVOID ERODING AROUND THE EDGES OF THE RIPRAP.

NOTE 2: ENDS SHALL BE TIED INTO SLOPES.

LEGEND FOR STORM WATER POLLUTION PREVENTION PLAN	
ITEM	SYMBOL
AGGREGATE DITCH CHECK	
INLET PIPE PROTECTION	
PERIMETER EROSION BARRIER	
SEDIMENT BASINS	
EARTH EXCAVATION FOR EROSION CONTROL AGGREGATE (EROSION CONTROL)	
PRESERVE EXISTING TREES, WOODLANDS, AND UNDERSTORY (OUTSIDE CONSTRUCTION LIMITS)	
ITEM PLACED AT BEGINNING OF CONSTRUCTION (Requirement)	* ITEM *
ITEM PLACED AS DIRECTED BY ENGINEER (When required by situation)	ITEM
DIRECTION OF OVERLAND FLOW	

GENERAL NOTES:
All items shall be constructed as shown on this sheet, on Standard 280001, and as directed by the Engineer.