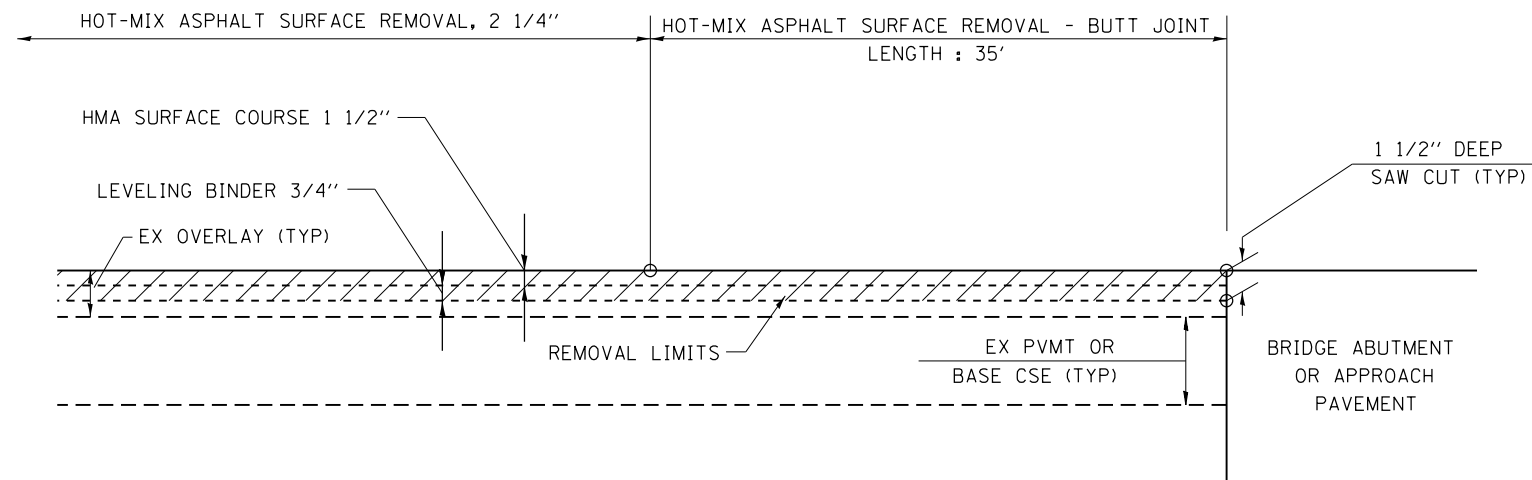
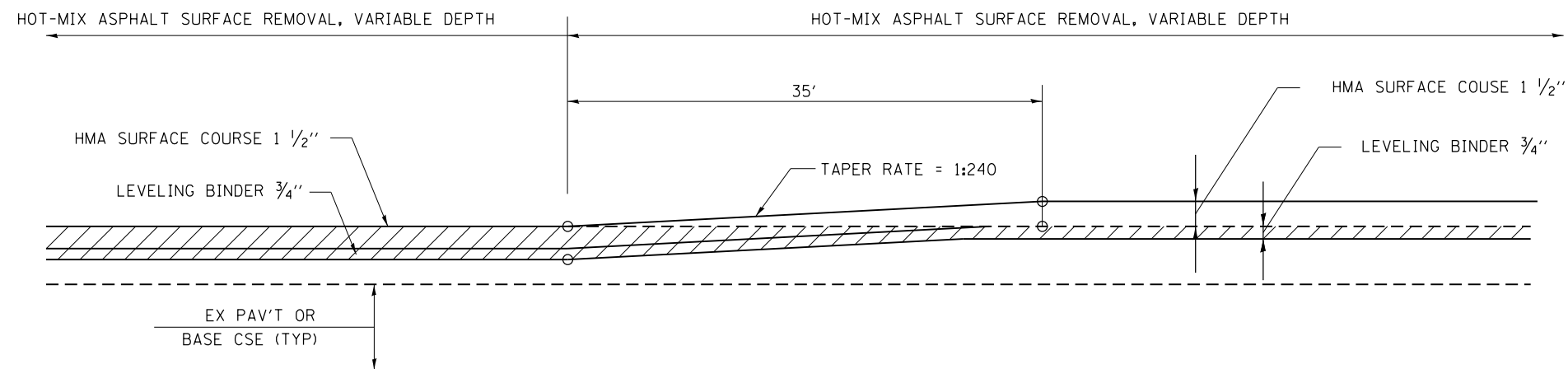


**BUTT JOINT DETAIL #1**



**BUTT JOINT DETAIL #2**



**RAMP DETAIL**

\* SAW CUT IS INCLUDED IN THE COST OF HMA SURFACE REMOVAL - BUTT JOINT, AND IS NOT TO BE PAID SEPARATELY.

FILE NAME =	USER NAME = sparksgw	DESIGNED -	REVISED -
c:\pwork\pwork\sparksgw\0313568\0672771-sht-butt joint.dgn		DRAWN -	REVISED -
Default	PLOT SCALE = 100.0000' / in.	CHECKED -	REVISED -
	PLOT DATE = Jun-06-2014 02:14:49PM	DATE -	REVISED -

**STATE OF ILLINOIS  
DEPARTMENT OF TRANSPORTATION**

**BUTT JOINT AND  
RAMP DETAIL**

SCALE: SHEET OF SHEETS STA. TO STA.

F.A.P. RTE.	SECTION	COUNTY	TOTAL SHEETS	SHEET NO.
34	(2)RS-4,(3)RS-5	MENARD	45	45
CONTRACT NO. 72F 71			ILLINOIS FED. AID PROJECT	