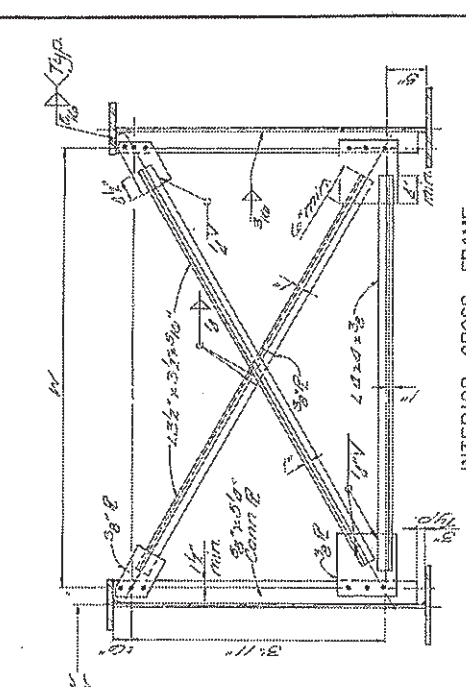
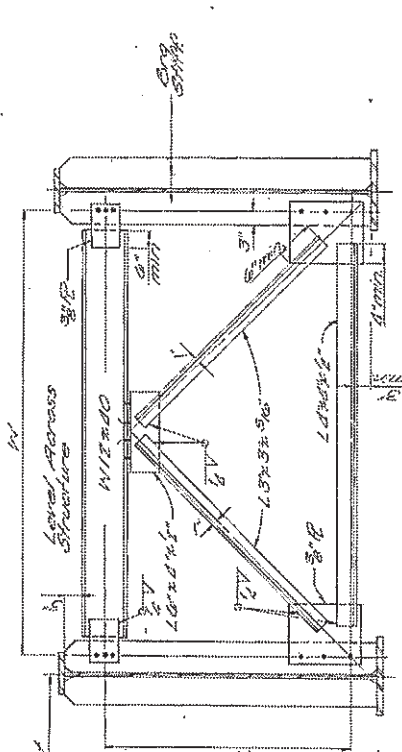
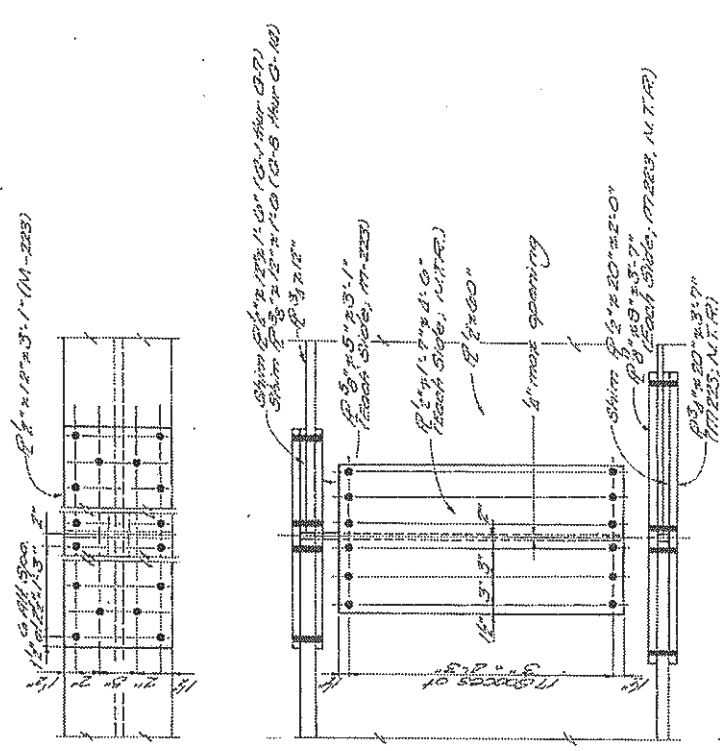


STATE OF ILLINOIS
DEPARTMENT OF TRANSPORTATION

SHEET NO. 13	SHEETS 29
DATE: 1-1-13	BY: ADAMS
SCALE: 1/8" = 1'-0"	NO. OF SHEETS: 76

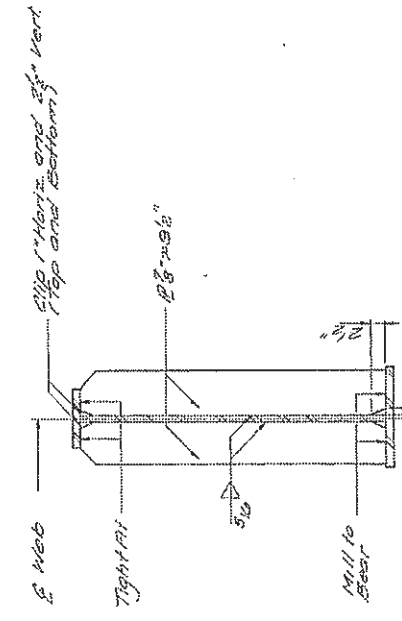
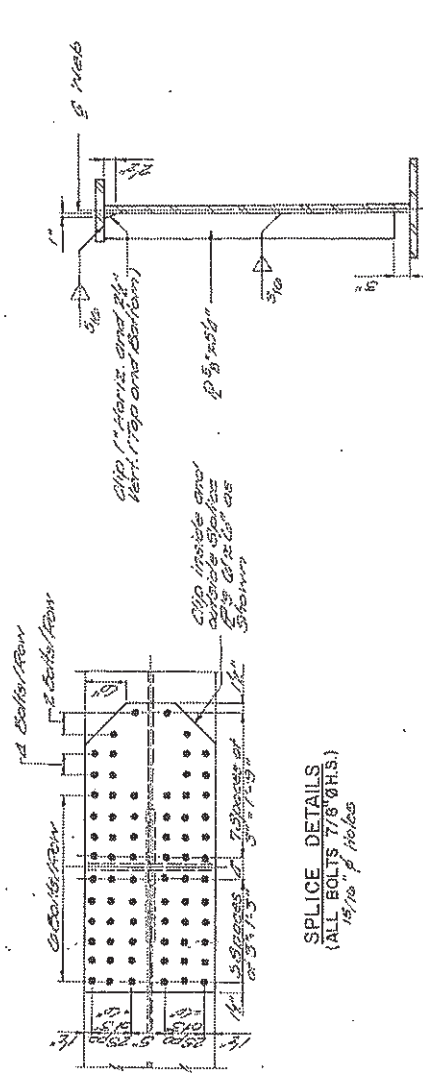


END CROSS FRAME

H. Dimensions:
About 1'-3 1/2"
About 3'-0"
About 2'-3 1/2"

INTERIOR CROSS FRAME

Notes:
For interior girder space stiffeners on alternate webs
For exterior girders space stiffeners on interior face of webs
All contact surfaces of the joints or lagwasher frames shall be free of paint or lacquer
Use 3/4" High strength bolts in 1/4" dia. holes for cross frame connections. Provide hardened washers over all holes (2 per bolt)



DIAPHRAGM DIMENSIONS											
TYPE	W	Ø	TYPE	W	Ø	TYPE	W	Ø	TYPE	W	Ø
CF1	5'-0"	3'-0"	CF2	5'-0"	3'-0"	CF3	5'-0"	3'-0"	CF4	5'-0"	3'-0"
CF5	5'-0"	3'-0"	CF6	5'-0"	3'-0"	CF7	5'-0"	3'-0"	CF8	5'-0"	3'-0"
CF9	5'-0"	3'-0"	CF10	5'-0"	3'-0"	CF11	5'-0"	3'-0"	CF12	5'-0"	3'-0"
CF13	5'-0"	3'-0"	CF14	5'-0"	3'-0"	CF15	5'-0"	3'-0"	CF16	5'-0"	3'-0"
CF17	5'-0"	3'-0"	CF18	5'-0"	3'-0"	CF19	5'-0"	3'-0"	CF20	5'-0"	3'-0"
CF21	5'-0"	3'-0"	CF22	5'-0"	3'-0"	CF23	5'-0"	3'-0"	CF24	5'-0"	3'-0"
CF25	5'-0"	3'-0"	CF26	5'-0"	3'-0"	CF27	5'-0"	3'-0"	CF28	5'-0"	3'-0"
CF29	5'-0"	3'-0"	CF30	5'-0"	3'-0"	CF31	5'-0"	3'-0"	CF32	5'-0"	3'-0"
CF33	5'-0"	3'-0"	CF34	5'-0"	3'-0"	CF35	5'-0"	3'-0"	CF36	5'-0"	3'-0"
CF37	5'-0"	3'-0"	CF38	5'-0"	3'-0"	CF39	5'-0"	3'-0"	CF40	5'-0"	3'-0"
CF41	5'-0"	3'-0"	CF42	5'-0"	3'-0"	CF43	5'-0"	3'-0"	CF44	5'-0"	3'-0"
CF45	5'-0"	3'-0"	CF46	5'-0"	3'-0"	CF47	5'-0"	3'-0"	CF48	5'-0"	3'-0"
CF49	5'-0"	3'-0"	CF50	5'-0"	3'-0"	CF51	5'-0"	3'-0"	CF52	5'-0"	3'-0"
CF53	5'-0"	3'-0"	CF54	5'-0"	3'-0"	CF55	5'-0"	3'-0"	CF56	5'-0"	3'-0"
CF57	5'-0"	3'-0"	CF58	5'-0"	3'-0"	CF59	5'-0"	3'-0"	CF60	5'-0"	3'-0"
CF61	5'-0"	3'-0"	CF62	5'-0"	3'-0"	CF63	5'-0"	3'-0"	CF64	5'-0"	3'-0"
CF65	5'-0"	3'-0"	CF66	5'-0"	3'-0"	CF67	5'-0"	3'-0"	CF68	5'-0"	3'-0"
CF69	5'-0"	3'-0"	CF70	5'-0"	3'-0"	CF71	5'-0"	3'-0"	CF72	5'-0"	3'-0"
CF73	5'-0"	3'-0"	CF74	5'-0"	3'-0"	CF75	5'-0"	3'-0"	CF76	5'-0"	3'-0"
CF77	5'-0"	3'-0"	CF78	5'-0"	3'-0"	CF79	5'-0"	3'-0"	CF80	5'-0"	3'-0"
CF81	5'-0"	3'-0"	CF82	5'-0"	3'-0"	CF83	5'-0"	3'-0"	CF84	5'-0"	3'-0"
CF85	5'-0"	3'-0"	CF86	5'-0"	3'-0"	CF87	5'-0"	3'-0"	CF88	5'-0"	3'-0"
CF89	5'-0"	3'-0"	CF90	5'-0"	3'-0"	CF91	5'-0"	3'-0"	CF92	5'-0"	3'-0"
CF93	5'-0"	3'-0"	CF94	5'-0"	3'-0"	CF95	5'-0"	3'-0"	CF96	5'-0"	3'-0"
CF97	5'-0"	3'-0"	CF98	5'-0"	3'-0"	CF99	5'-0"	3'-0"	CF100	5'-0"	3'-0"