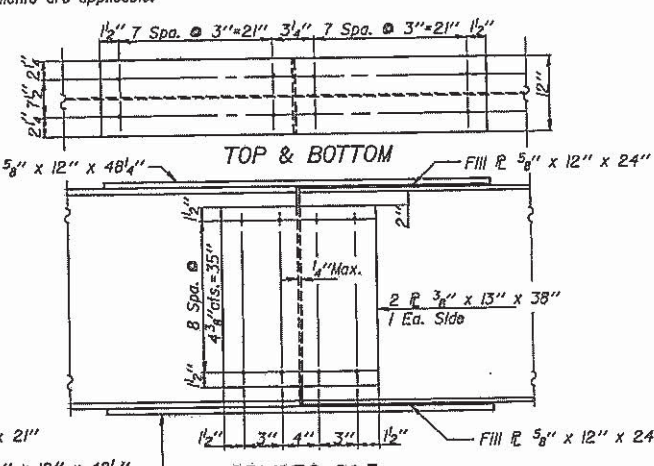
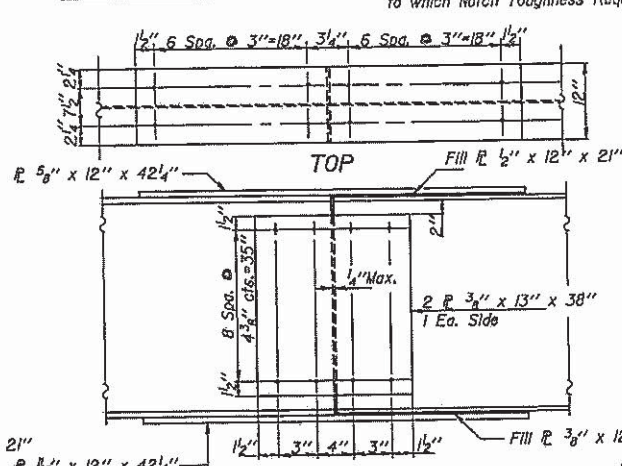
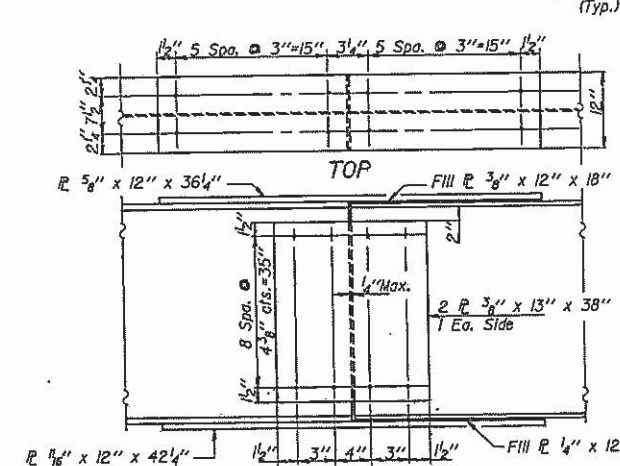
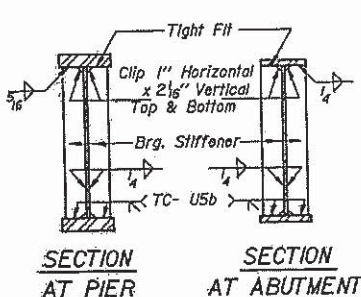
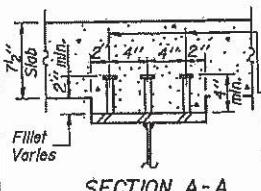
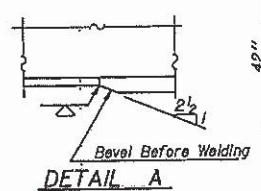
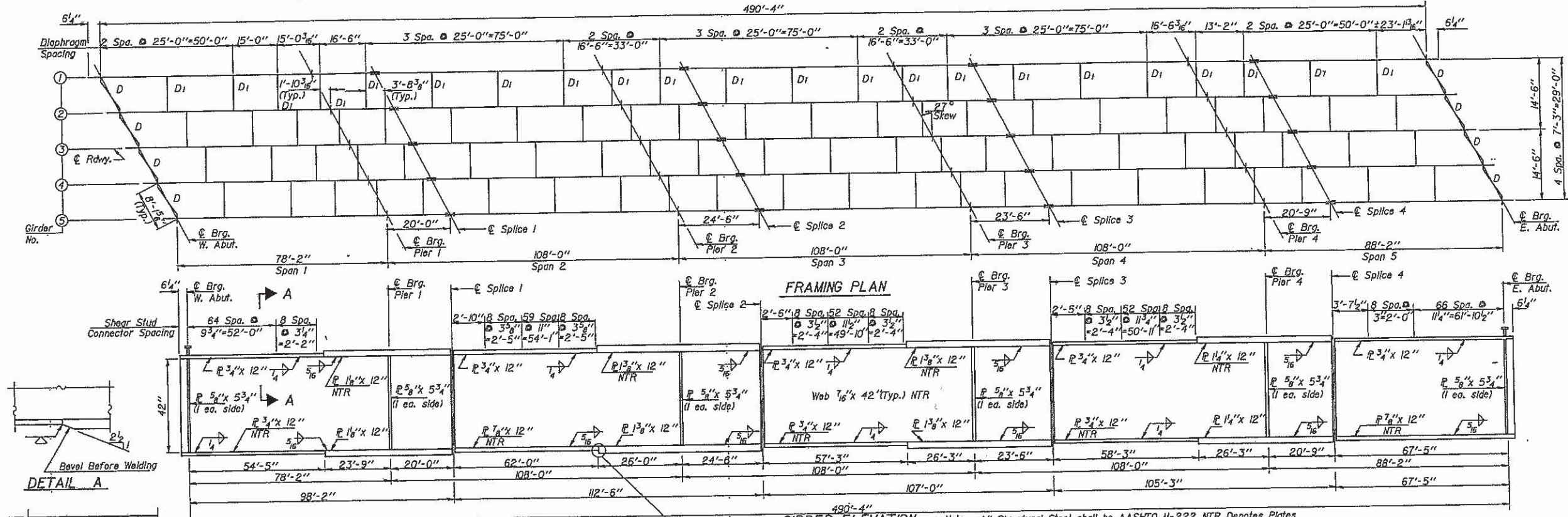


STATE OF ILLINOIS
DEPARTMENT OF TRANSPORTATION

ROUTE NO.	SECTION	COUNTY	SHEETS	NO.	SHEET NO. //
109BR	Pike	45	23	22 SHEETS	



DESIGNED: *David Bolin*
CHECKED: *Kenny Collier*
DRAWN: *R. Sommer*
OCT 4 1983
APPROVED: *[Signature]*

FRAMING PLAN AND GIRDER DETAILS
F.A.P. RTE. 745 SECTION 109 BR.
PIKE COUNTY
STA. 2257+40.00